

# EZ Pontoon Lift<sup>TM</sup>

Owner's Manual and Installation Instructions for EZ Pontoon Lift

Models PL2000, PL3500

For questions about features, operation/performance, parts, accessories or service, call your local dealer.

Additional information regarding EZ Dock products can be found online at [www.ez-dock.com](http://www.ez-dock.com)



*The first dock of its kind...The last dock you will ever need<sup>®</sup>.*

## Table of Contents

General Information and Installation Overview.....	3
EZ Pontoon Lift Specifications.....	4
Site Conditions and Usage.....	5
Model/Serial Number and Hydrophobic Vent.....	6
Customer Service Assistance.....	6
Maintaining your EZ Pontoon Lift.....	6
1. Assembly of Bow Section onto EZ Pontoon Lift.....	7
2. EZ Dock Coupler Installation (301100 & 301208).....	8
3. EZ Pontoon Lift Installation Methods.....	10
3A. EZ Dock Coupler Installation.....	10
3B. Installation of the EZ Pontoon Lift using 60” Hinge Kit (G200460).....	11
3C. Installation of the EZ Pontoon Lift to Floating Dock using a Hinge Kit (100750 & 100750SS).....	12
4. EZ Pontoon Lift Underwater Finger Stiffener Installation (UFS200).....	13
5. EZ Pontoon Lift (PL2000) Air-Assist Hose Installation.....	14
6. EZ Pontoon Lift Underwater Finger Stiffener Installation (UFS350).....	15
7. EZ Pontoon Lift (PL3500) Air-Assist Hose Installation.....	16
8. EZ Pontoon Lift Air-Assist Pump Installation.....	17
9. EZ Pontoon Lift (PL3500) Ratchet Strap Installation.....	18
10. EZ Pontoon Lift Transom Motor Stop (TMS200).....	19
11. Porting Instructions.....	20
12. Keel Roller Adjustments for the EZ Pontoon Lift.....	21
Sample Configurations.....	22
Warranty.....	24

---

Dear EZ Dock Owner,

The EZ Dock team thanks you for your purchase. We know that you had other choices of watercraft lifts, and we appreciate your decision to purchase an EZ Pontoon Lift.

You will find it easy to maintain your EZ Pontoon Lift and to add accessories and other components to your lift in the future. The EZ Pontoon Lift is modular, adaptable, expandable, and the most durable lift on the market. We hope that you, your family and your friends will enjoy this lift for many years to come.

Before you install your new EZ Pontoon Lift, please take a moment to register your dock warranty. You can register online at [www.ez-dock.com](http://www.ez-dock.com), by using the warranty registration card provided by your distributor/ dealer or by filling out the registration card located in the back of this owner’s manual. To register you will need the serial number off the front of each of the EZ Pontoon Lift sections. By registering your product, you will activate your product warranty and thereby protect your purchase against covered product defects. Please feel free to give your EZ Dock customer service department a call with any issues that you may have with your EZ Pontoon Lift. You can reach our customer service department by dialing:

USA/Canada: 1-800-654-8168

Int'l: 1-417-235-2223

Europe: +46 (0) 380 47 300

## GENERAL INFORMATION AND INSTALLATION OVERVIEW



### GENERAL INFORMATION

The EZ Dock system and the EZ Pontoon Lift is a uniquely simple, low-maintenance design that's versatile, safe, and durable. EZ Dock's patented self-floating design is fast and easy to install. Lifts come in two different sizes with evenly spaced coupler, hardware, and anchor pockets.

Once assembled, this system is designed to minimize the amount of flex occurring from stress and loads on the system. The rubber connections will stretch to help the system, and its attachments, absorb shock and extreme pressures. Properly installed and maintained, this system will last for years of enjoyable use.

### **IMPORTANT! Assembly, Installation, Maintenance and Safety:**

You should read these instructions thoroughly, before assembling and installing your EZ Pontoon Lift. Please adhere to all recommendations and cautionary suggestions appearing in this manual and always follow the instructions precisely. Please save these instructions and refer to them as needed for future reference.

 <b>DANGER</b>	
	<p><b>Drowning Hazard</b></p> <p>Swimming under and/or attempting to breathe in cavities under EZ Dock docks and ports while performing in-water installation of docks, ports and couplers can result in accidental drowning and death.</p> <p>Do not attempt in-water installation without EZ Dock in-water coupler installation tools.</p>

### ASSEMBLY OVERVIEW

- The layout should be planned before beginning to assemble the dock.
- Make sure the correct tools are available.
- The system may be assembled on the ground, on open water, or on a sufficiently thick ice sheet. To make assembly easier, attach pairs of the dock sections together before placing in the water.
- Verify that all dock sections and hardware are on site and ready for installation.

#### **Recommendations:**

**Attach as much hardware to dock sections as possible before placing the sections in the water.**

**Whenever possible, connections should be made at the shoreline, and the dock should be pushed out into the water.**

### Tool Requirements

As with most assembly and installation projects, some tools are required to assemble and install your EZ Pontoon Lift. You may not need every tool listed below for your particular installation, but the following tools are generally helpful in the installation process (for professional installation, call your local EZ Dock dealer):

- EZ Dock in-water installation tool (9000010)(for EZ Dock mounting in-water assembly)
- Composite Coupler Installation Tool (900005)
- 1/2" drive ratchet
- Socket set (1/2", 9/16", 5/8", 11/16", 15/16" Hex Drive or 24mm—12 pt)
- Open-end, boxed-end wrench set (above mentioned sizes)
- Screwdrivers (#3 Phillips and standard)
- Pliers
- Adjustable wrenches
- Hammer (rubber mallet)
- Pry-bar (small and large)
- Rope (minimum 3/8" braided nylon)
- Power drill & bits
- Power or Hand Saw
- Utility knife
- Tape measure

## EZ Pontoon Lift Specifications

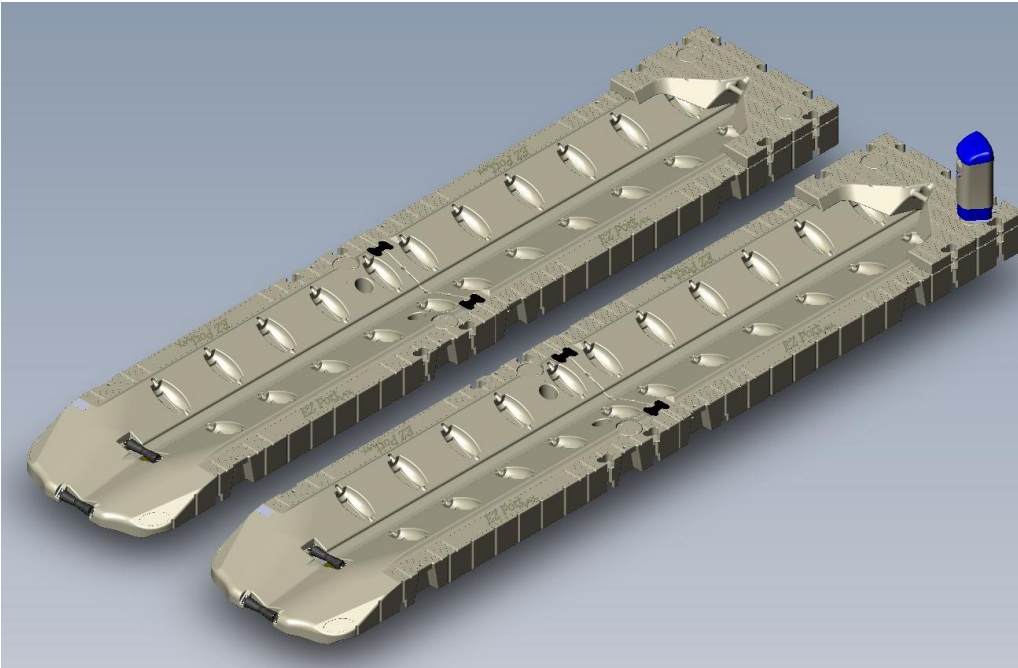
Model	Part Number	Overall Length	Overall Width	Height	Shipping Weight	Flotation Capacity
EZ Pontoon Lift, Up to 2000 lbs.	PL2000-*	294.375" (747.7 cm)	Varies	14 -5/8" (37.1 cm)	606 lbs. (274.8kg)	2000 lbs. (907 kg)
EZ Pontoon Lift, Up to 3500 lbs.	PL3500-*	294.375" (747.7 cm)	Varies	14-5/8" (37.1 cm)	846 lbs. (383.7 kg)	3500 lbs. (1587 kg)

Asterisk (\*) denotes air assist pump option. Manual (M), Solar (S), Manual Remote (R), European (E), and Solar Remote (T)

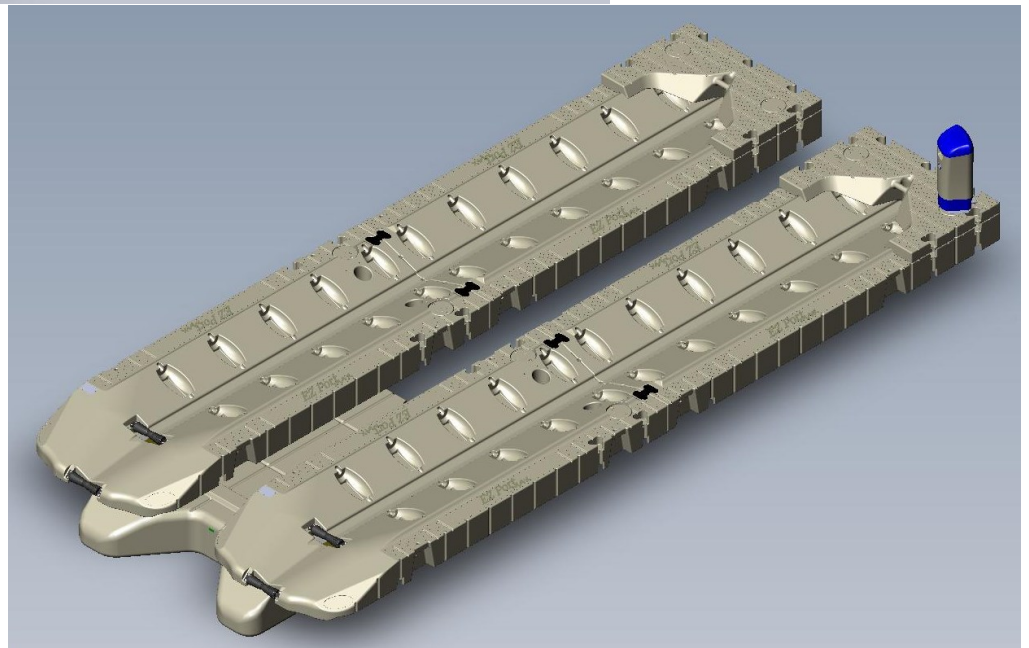
Note: Due to the rotational molding process, weights and dimensions may vary.

Note: Overall width depends on the pontoon center spacing and overall deck width.

### EZ Pontoon Lift - PL2000



**EZ Pontoon Lift - PL3500**



## Selecting your Installation/Attachment Method

The EZ Pontoon Lift must float freely on the water surface, moving up and down with any changes in water level. To accomplish this there are a number of anchoring/installation methods available for use with the EZ Pontoon Lift.

Your EZ Pontoon Lift utilizes several products from EZ Dock's EZ Port MAX lineup. Several of the components throughout this Owner's Manual may reference the EZ Port MAX, these product specifications can be found in the EZ Port MAX Owner's Manual.

## Site Conditions to be Considered

Every EZ Dock EZ Pontoon Lift installation is site specific and needs to be configured specifically for the end user's intended application. Some factors to take into consideration when determining the components necessary for a proper installation include; intended usage, water conditions, soil/bed conditions, and climate conditions. There are a few simple rules to follow when determining layout configuration.

Be certain that your installation configuration is designed to accommodate the daily intended use of your EZ Pontoon Lift. Please take into account the following:

- Commercial application needs
- Public access requirements (ADA, CORP, or other)
- Private docking needs
- Scale of operation and use (size of Pontoons, etc.)
- Other special considerations affecting your daily use

Be aware of the unique characteristics of the specific body of water and consider how such conditions will affect the installation. Take into account:

- Overall area of the body of water
- Water depth (at the shore and at the furthest point of the dock from shore)
- Normal and greatest wave action
- Water level fluctuation
- Fresh, brackish, or salt-water
- Normal and extraordinary ice thickness and movement
- Lake bed and soil conditions (sand, rock, mud, etc.)

**Sites with severe wave conditions need to arrange docks so pylons are parallel to wave action and vents are facing against a dock face or towards the shore to minimize excess water collecting in docks.**

## Usage

Understand and consider installation/performance requirements then evaluate your ability to fulfill them.

- Determine whether your installation will be attended and inspected on a regular basis.
- Become acquainted with the normal movement associated with floating structures.
- Determine whether you are capable of performing your own installation, or whether it is best to hire a professional.

Once you have considered and worked out the issues above, the next step is to select the installation mounting method that is best for you. Since no two installations are ever exactly the same, each and every EZ Pontoon Lift installation must be designed and configured for the specific and intended application.

- **Installation with an EZ Dock System (Section 4A):** When installing the EZ Pontoon Lift on an EZ Dock system, simply use standard EZ Dock coupler sets to connect one side to the EZ Dock, (refer to the installation instruction section 4A), and the other using either the EZ Dock Hinge to Float Kits, (G200460) or standard EZ Dock coupler sets depending on the width of the pontoons.
- **Installation with other floating dock systems (Section 4C & 4D):** The EZ Pontoon Lift can be attached to other floating docks with the floating dock adapter hinge kit (refer to the installation instruction section 4C when a Full Bow Section is used).

## Model/Serial Number

You should register your EZ Dock products to ensure proper warranty coverage. The location of the serial number may be difficult or impossible to see once installed, so we suggest that you create a record of your serial numbers and corresponding dock sections, if applicable, to insure proper identification when filing a warranty claim. The serial numbers can be found on the vertical side wall on the logo end of the EZ Dock products. See Figure 1.



Figure 1.

## Hydrophobic Vent

Every section in the EZ Pontoon Lift has a hydrophobic venting insert. This is located in one of the front hand hold areas (Figure 2). These vents are designed to reduce any amounts of water that may enter the dock but still allow the dock section to breathe with temperature variation. When possible these vents should be positioned towards shore and away from prevailing wind/current direction.

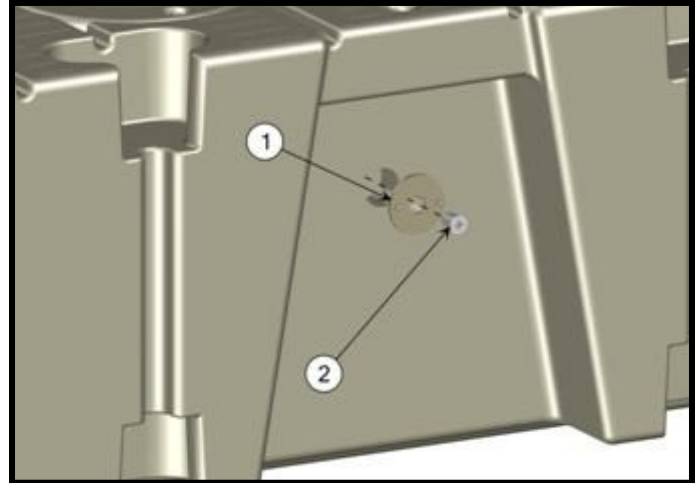


Figure 2.

ITEM	QTY.	PART NUMBER	DESCRIPTION
1	1	103565	Spinweld 1.9"-1/4" FPT Flush
2	1	9000028	Hydrophobic Vent 1/4" NPT

## Customer Service Assistance:

When calling for service assistance, please know the purchase date, model and/or serial number of your EZ Pontoon Lift products. You will also need your serial number for product registration. This information will help us to better respond to your request. If you need replacement parts, contact your dealer to obtain only genuine parts. These parts will fit and function correctly because they are made with the same precision used to build your EZ Pontoon Lift. **To locate replacement parts in your area, call 1-800-654-8168 (US and Canada), 1-417-235-6917 (Africa, Asia or Central/South America), or +46 (0) 380 47 300 in Europe. French speaking residents in Quebec should call 1-800-654-8168. These numbers will put you in contact with your nearest distributor/dealer. You may also locate your nearest distributor or dealer by logging onto our website at [www.ez-dock.com](http://www.ez-dock.com).**

## EZ Dock distributors and dealers can provide assistance with:

- Features and specifications of EZ Dock's full line of products
- Installation information
- Use and maintenance procedures
- Accessory and repair part sales
- Referrals to local dealers

## Maintaining your EZ Dock System

### Care and Maintenance

**Cleaning:** Your new EZ Pontoon Lift can be easily cleaned using a brush, mild cleaning agent, and water. For stubborn stains, use a diluted bleach solution. A power washer can be used when convenient. Algae growth at the waterline on the product is normal and will not harm the product.

**Ice:** The EZ Pontoon Lift floats high enough so that normal ice pressure will not harm the product. However, if the shoreline area has ice pressure pushes, wind blown ice, or other ice flows, the dock needs to be removed or disconnected from the moorings. In these circumstances, pipes or piles should be removed to prevent bending due to ice pressure.

**Removal:** If the EZ Pontoon Lift is removed at anytime for storage, it should not be dragged over rough gravel or other sharp objects. The EZ Pontoon Lift may be stored outside without any special care when stored on edge or with the walking surface facing up.

## 1. Assembly of Bow Sections onto EZ Pontoon Lift (206025BS)

There is only one bow section available for the EZ Pontoon Lift. This bow section protects the Pontoon boat from going too far forward during loading as well as to provide a tie down location. The bow section must be attached before installation and use of the EZ Pontoon Lift.

- The full bow section (Figure 4)(Item 2) must be used to attach the EZ Pontoon Lift to new or existing EZ Dock floating docks and provides additional walking surface. To install, place the full bow section onto the front of the entry section and align the front of the bow with the front of the entry. Install four (4) bolts and washers (Items 5 & 6) into the holes as indicated below and tighten.

**Warning:** A bow section must always be used!

### Tools required:

- Phillips Screwdriver
- Ratchet and socket set or open-end, boxed-end wrench set
- Open-end, boxed-end wrench set

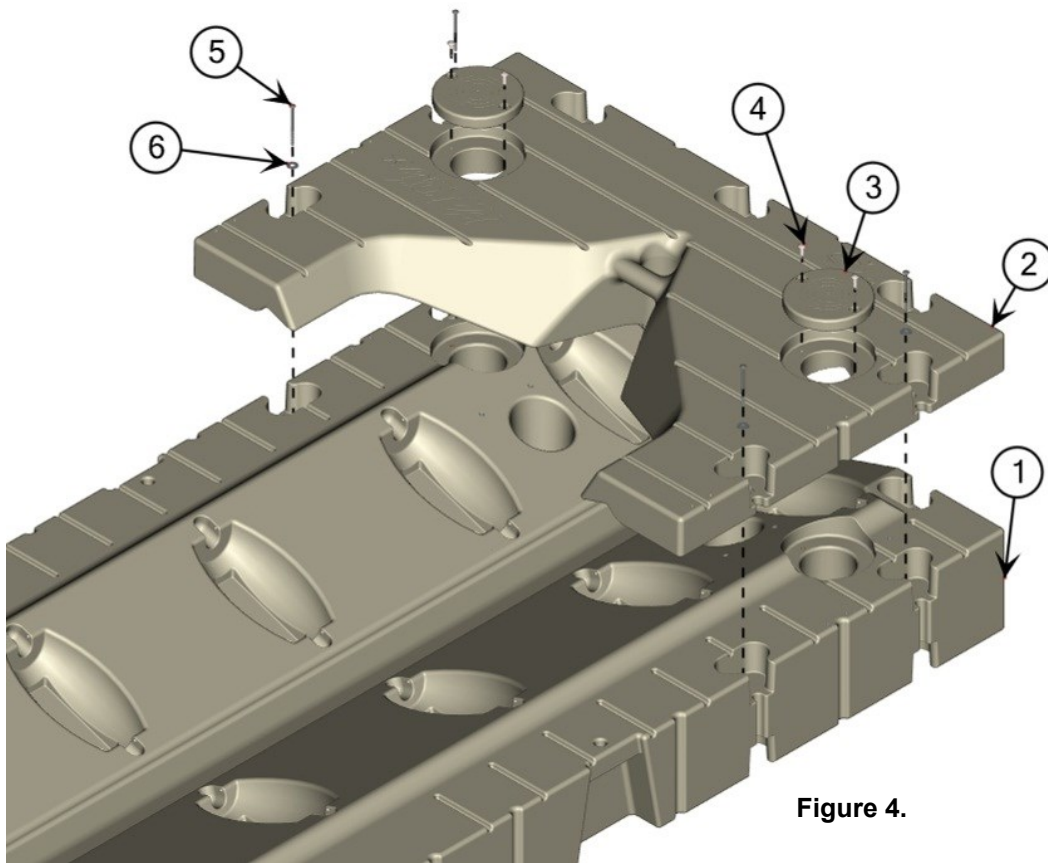


Figure 4.

ITEM	QTY.	PART NUMBER	DESCRIPTION
1	1	206031PL	EZ Pontoon Lift Entry
2	1	S26025BS-EZ	Bow Section, Full for PL Entry
3	2	S20616EZ	Cover, Pipe Bracket Sleeve
4	4	80514SS	Bolt 5/16"-18 x 1-1/4" Truss HD 18-8 SS
5	4	80545SS	Bolt 5/16"-18 x 4-1/4" HD 18-8 SS
6	4	117005	Washer 3/8" x 1" O.D. 18-8 SS

## 2. EZ Dock Coupler Installation (301100)

1. Insert the composite coupler bolt (Item 6) into coupler (Item 5). Align the mark on the head of the bolt so the splines line up into the notched pockets in the coupler.
2. Using a hammer, seat the bolt into the coupler (Figure 7).
3. Install coupler with seated bolt on the in-water installation tool, (Figure 10).



Figure 7.

4. Align the EZ Dock sections and the EZ Pontoon Lift so coupler pockets are adjacent to each other (Figure 8).
5. Using the in-water installation tool (Item 7), insert the coupler and bolt assembly into the bottom pocket with the bolt pointing upward (Figure 8).
6. Hold the top handle and lower the tool with coupler in the water until the rod is completely below the bottom surface of the dock section. (If the rod hits the dock section the coupler may fall off the tool).
7. While maintaining the proper depth, slide the tool between the dock sections until you reach the pocket to be connected.

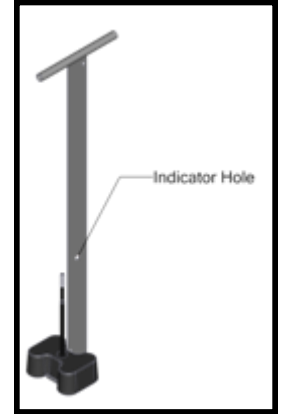


Figure 8.

8. Pull up on the in-water installation tool to seat the bottom coupler. (**NOTE:** The EZ Dock and EZ Pontoon Lift must be sitting level on the water and at the same elevation for the coupler to properly seat into the bottom pocket. This may require a counter balance weight toward the entry end of the EZ Pontoon Lift to offset the weight of the installer who is standing at the seam between the EZ Pontoon Lift and the EZ Dock). The coupler is fully seated in its pocket when the indicator hole on the in-water installation tool (Figure 9) is flush with the top of the dock (you should be able to insert a screwdriver through the indicator hole).

9. While holding pressure, insert the top coupler into the opposing pocket by aligning the hole in the top coupler over the rod and pushing the coupler into the pocket, (Figure 10).
10. Install the coupler nut (Item 4) onto the bolt and tighten until the top of the bolt is 3/8 -1/2" below the top of the nut (do not torque over 15 ft-lb). Due to the security feature on the coupler nut, the composite coupler installation tool (Item 3) is required for tightening. The coupler installation tool is splined on the end to be inserted into the coupler nut and the other end is a 15/16" bolt. This is inserted into a 15/16" socket (Item 2) with ratchet (Item1) for tightening (Figure 12).
11. To release the installation tool, remove pin/screwdriver from the indicator hole and push down tool, sliding it between the docks to begin your next coupler installation.

**DO NOT OVER TIGHTEN THE NUT! ( Do not torque over 15 ft.-lbs.)**

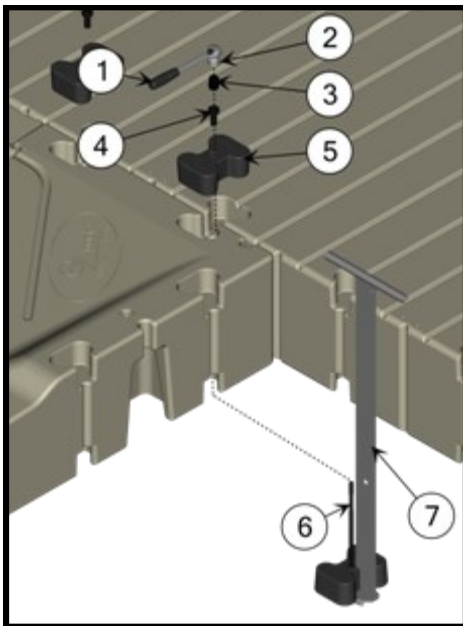


Figure 9.

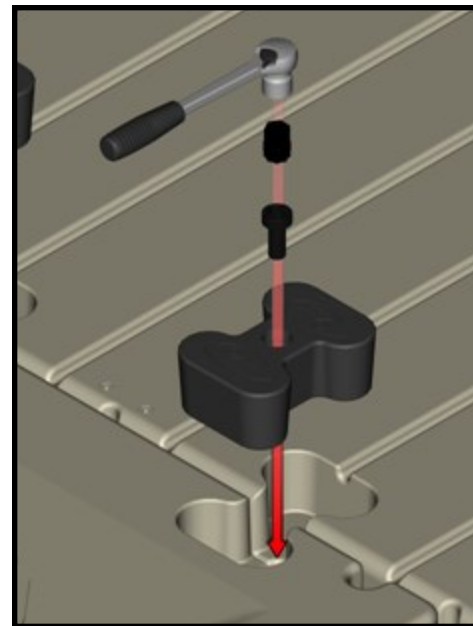


Figure 10.

ITEM	QTY.	PART NUMBER	DESCRIPTION
1	1	N/A	Ratchet
2	1	N/A	15/16" Socket
3	1	900005	Composite Coupler Installation Tool
4	4	22003	EZ Dock Coupler Nut
5	8	311010	EZ Dock Coupler
6	4	211003	Coupler Bolt
7	1	9000010	In-Water Installation Tool



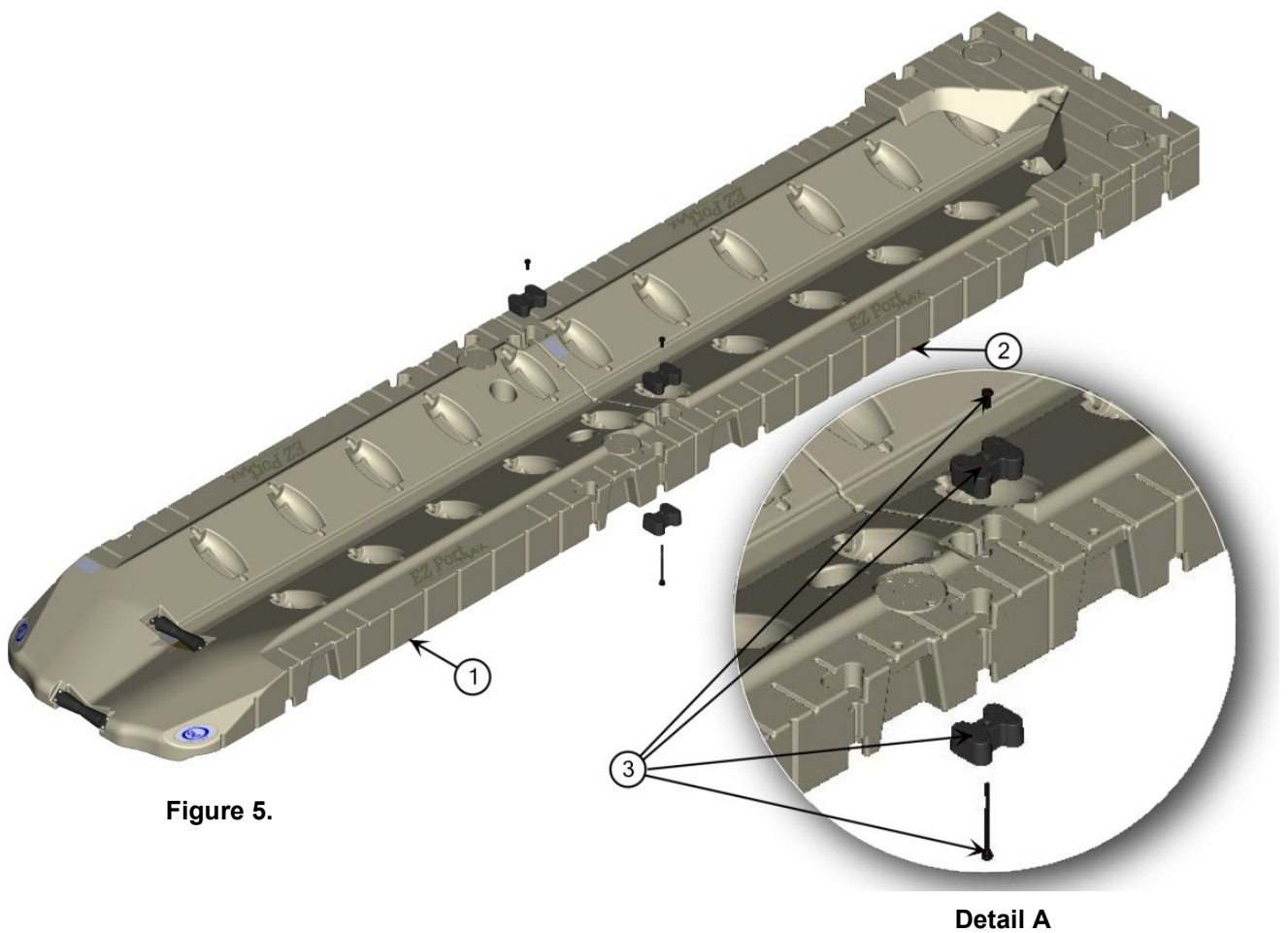
## 2. EZ Dock Coupler Installation Cont.

**Step 1: Assembly (Figure 5)** - Align the EZ Pontoon Lift Entry section (Item 1) with the EZ Pontoon Lift Extension (Item 2) and install two (2) coupler sets (Detail A) provided in the Port to Port Coupler Kit (Item 3).

**Note:** For detailed coupler (301100) installation instructions, please see page 11.

### Tools required:

- Coupler Set, 1 pair, Short (301208)
- Tool, Composite Coupler Installation (900005)
- EZ Dock in-water installation tool (900010)
- Hammer (rubber mallet or dead blow)
- Screwdrivers (Phillips and standard)
- Pry-bar (small and large)
- Ratchet and socket set



### 3. EZ Pontoon Lift Installation Methods

#### 3A. EZ Dock Coupler Installation (301100)

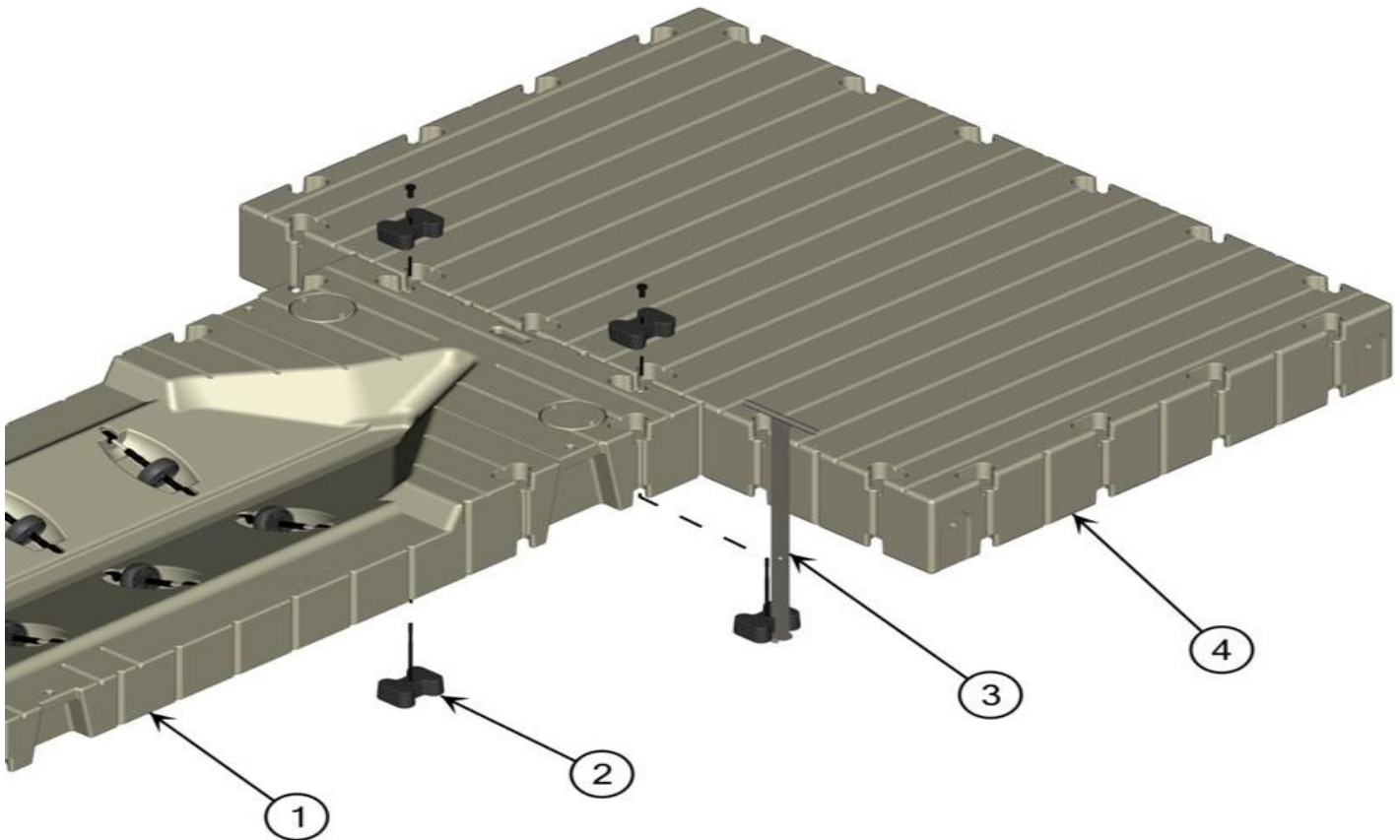
One side of the EZ Pontoon Lift mounts to existing or new EZ Dock installations using standard EZ Dock couplers. In order to attach the EZ Pontoon Lift to an EZ Dock system, the EZ Dock coupler set must be used, (Figure 6).

**Note:** For detailed coupler (301100) installation instructions, please see page 11.

**Tools required:**

- In-Water Installation Tool (900010)
- Ratchet and socket set
- Composite Coupler Installation Tool (900005)
- Screwdrivers (Phillips and standard)
- Pry-bar (small and large)
- Hammer (rubber mallet)

**Helpful Hint: To make assembly and disassembling easier, rub a marina safe lubricant on the coupler rods.**



**Figure 6.**

ITEM	QTY.	PART NUMBER	DESCRIPTION
1	1	206031PL	EZ Pontoon Lift Entry
N/A	1	206025BS	Full Bow Section
2	2	301100	Coupler Set
3	1	9000010	In-Water Installation Tool
4	1	208010	80'' x 10' Dock Section

**NOTE:**

1. All empty or unused coupler pockets should be filled with an EZ Dock pocket filler (201030).
2. When side mounting or when two ports are next to each other, it is recommended to utilize a stainless steel coupler bolt set (201100SS) in the rear coupler pockets (closest to the keel entry roller).

### 3. EZ Pontoon Lift Installation Methods

#### 3B. Hinge Kit Installation (G200460)

The EZ Pontoon Lift mounts to existing or new EZ Dock installations using standard EZ Dock couplers or the Hinge to Float attachments kits shown in the image below. The center to center dimension on the pontoon boat will be the determining factor as to whether or not the below pair of G200460 Hinge to Float kits are needed. On pontoon boats having a center to center dimension of 78" the use of standard EZ Dock couplers can be utilized. If there is variance of the 78" dimension, either greater or less than 78", a pair of G200460 hinge kits must be used to adjust, laterally, the lift to the required center to center dimension (Figure 11). When deviation from the 78" dimension is necessary and the combination of EZ Dock Couplers and the pair of Hinge Kits (G200460) are used, the assembly will be that shown below (Figure 12).

#### Tools required:

- In-Water Installation Tool (900010)
- Ratchet and socket set
- Composite Coupler Installation Tool (900005)
- Screwdrivers (Phillips and standard)
- Pry-bar (small and large)
- Hammer (rubber mallet)

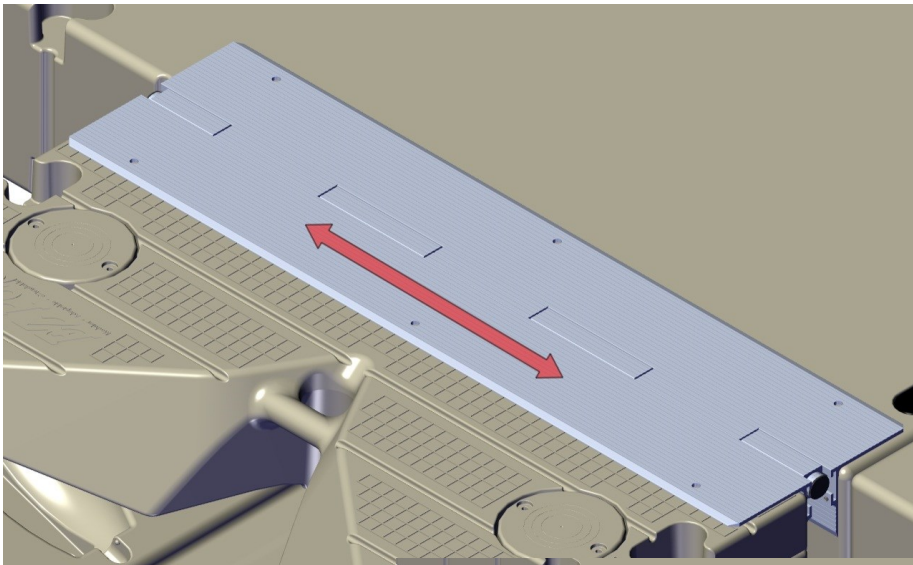


Figure 11.

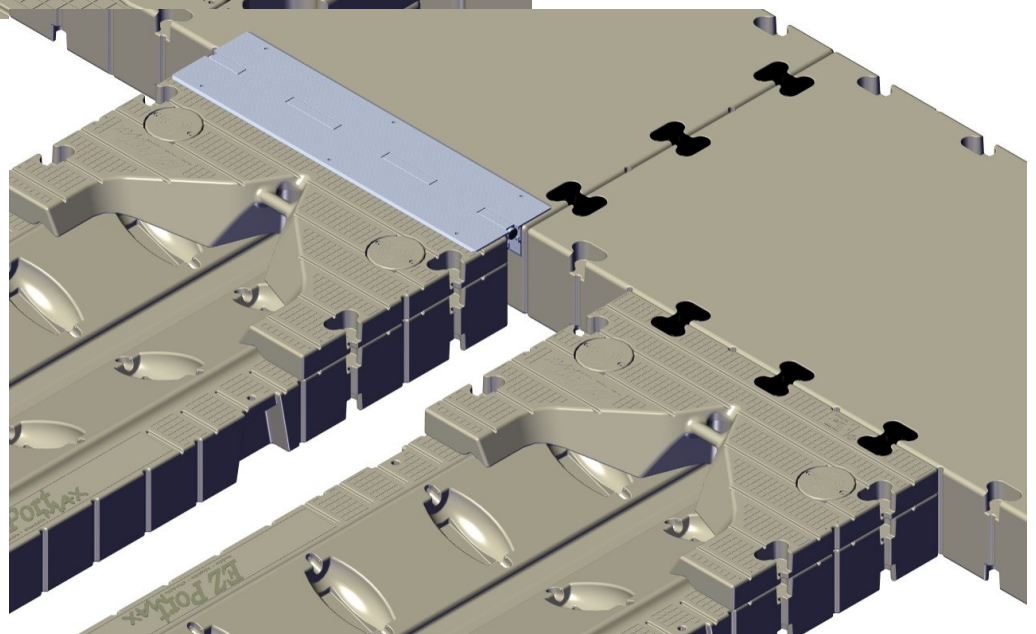


Figure 12.

### 3. EZ Pontoon Lift Installation Methods

#### 3C. Installation of EZ Pontoon Lift to Floating Dock using a Hinge Kit (100750 & 100750SS)

The 100750 or 100750SS hinge kit is required when anchoring an EZ Pontoon Lift (PL2000 & PL3500) with Full Bow Section (206025BS) (Item 1) (Figure 13). The full bow section must be attached to the EZ Pontoon Lift Extension with the screws provided prior to the installation, (See Page 7 Figure 4 for bow section installation instructions).

1. Measure the freeboard of the fascia of the floating dock where the connection will be made.
2. Determine the best position for the hinge adapter plate. The plate should be above (Figure 13) the hinge adapter bracket.
3. No additional weight should be on the ports while measuring hinge adapter plate location.
4. When attaching to a wooden structure, use carriage bolts (not included) to attach the adapter plate. If attaching to a steel or aluminum structure, it may be necessary to first attach a 2" X 8" (5cm X 20cm) wooden fascia (not included).
5. When attaching to a concrete floating dock, concrete anchor bolts (not included) may be required.
6. When the adapter hinge plate (Item 5) is securely in place, float the EZ Pontoon Lift into position and secure with the hinge pins (Item 4) and clip hitch pins (Item 7).

#### Tools required:

- Drill
- Drill bits
- Ratchet and socket set
- Screwdrivers (Phillips and standard)
- Open-end, boxed-end wrench set
- Pry-bar (small and large)
- Tape measure
- Hammer
- Pliers

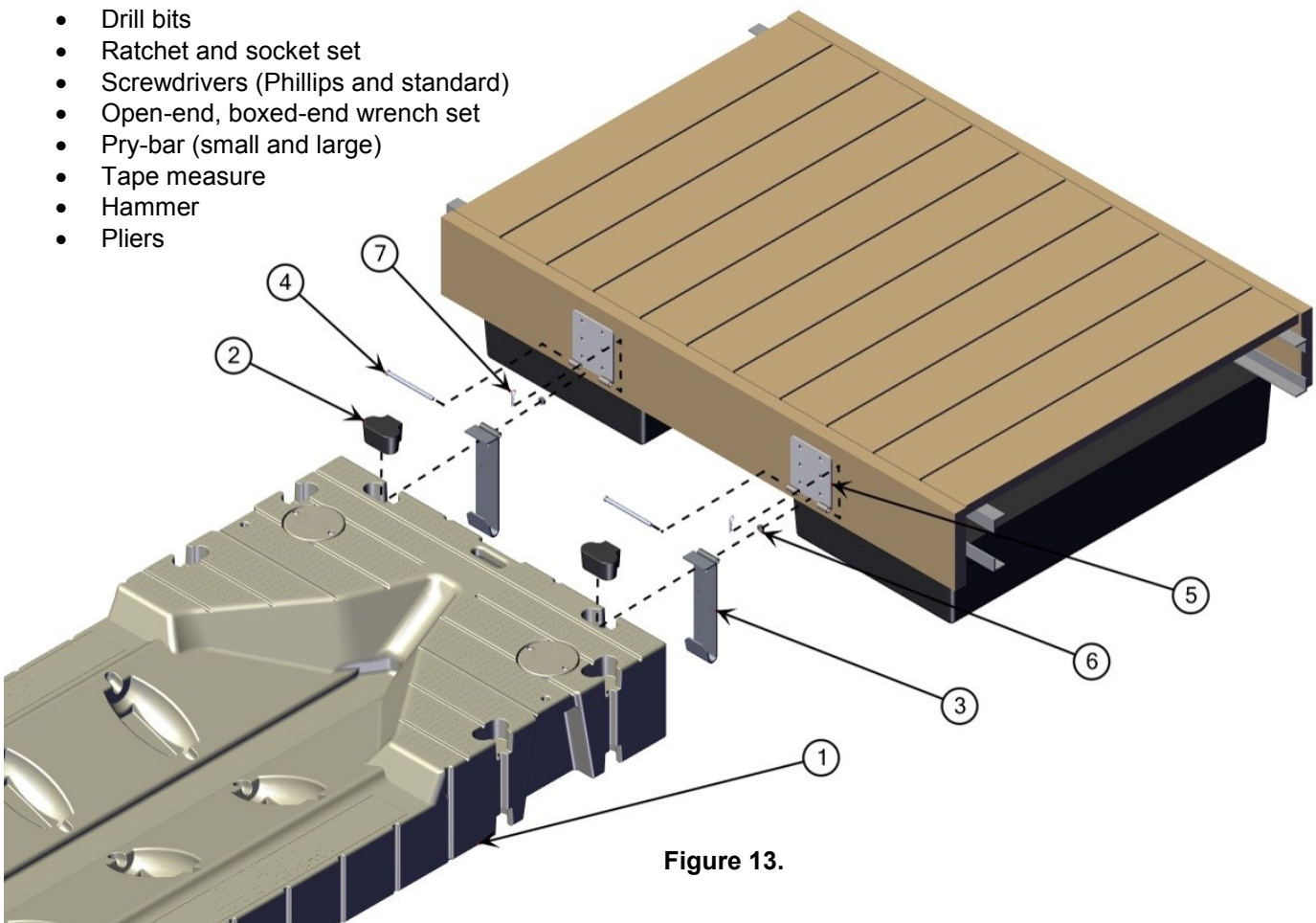


Figure 13.

ITEM	QTY.	PART NUMBER	DESCRIPTION
1	1	206031PL & 206025BS	EZ Port MAX Ext. & Full Bow
2	2	S21140SS	Hardware Connector, Male w/ SS
3	2	S10713GV	Floating Dock Adapter, Hing to Float Galv.
4	2	S80968SS	Hinge Pin SS f/ Floating Dock Adapter
5	2	S10712GV	Hinge Dock Adapter Plate Galv.
6	2	80580SS	Nut 5/8"-11 Self Locking 18-8 SS
7	2	80011	Clip Hitch Pin #11, EZ Dock

#### 4. EZ Pontoon Lift Under Water Finger Stiffener Installation (UFS200)

The EZ Pontoon Lift, PL2000, utilizes an Under Water Finger Stiffener (UFS) to ensure that the center to center dimension of the pontoon boat is maintained throughout the length of the fingers. As seen in Figure 12 below, the UFS 200 connects to the molded in T-Nuts on the entry side of the port and uses a hardware connector to attach to the port. Using a slip tube method and a pair of 1/2" bolts to tighten the adjustment, the center to center dimension of the pontoon boat will be maintained (Figure 14).

Shown below (Figure 15) is an exploded view illustrating the construction model of the UFS 200. The main rail has a larger inside dimension than that of the tubing welded to the attachment brackets, allowing for a slip tube design to give the adjustability for various widths of pontoon center dimensions. The brackets attach to the ports using a pair of bolts which are threaded into the embedded t-nuts in the port. The lower portion of the brackets are held in with an EZ Dock hardware connector.

**Tools required:**

- Pliers (Standard or Slip Joint)
- Adjustable Wrench-Crescent style
- Open-end, boxed-end wrench set
- Ratchet and socket set
- Marine Grade Grease

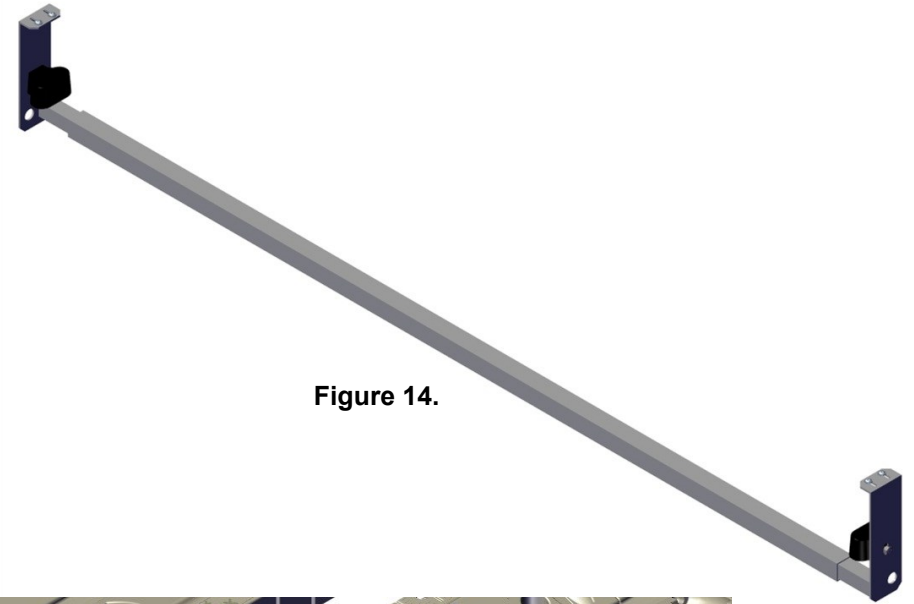


Figure 14.

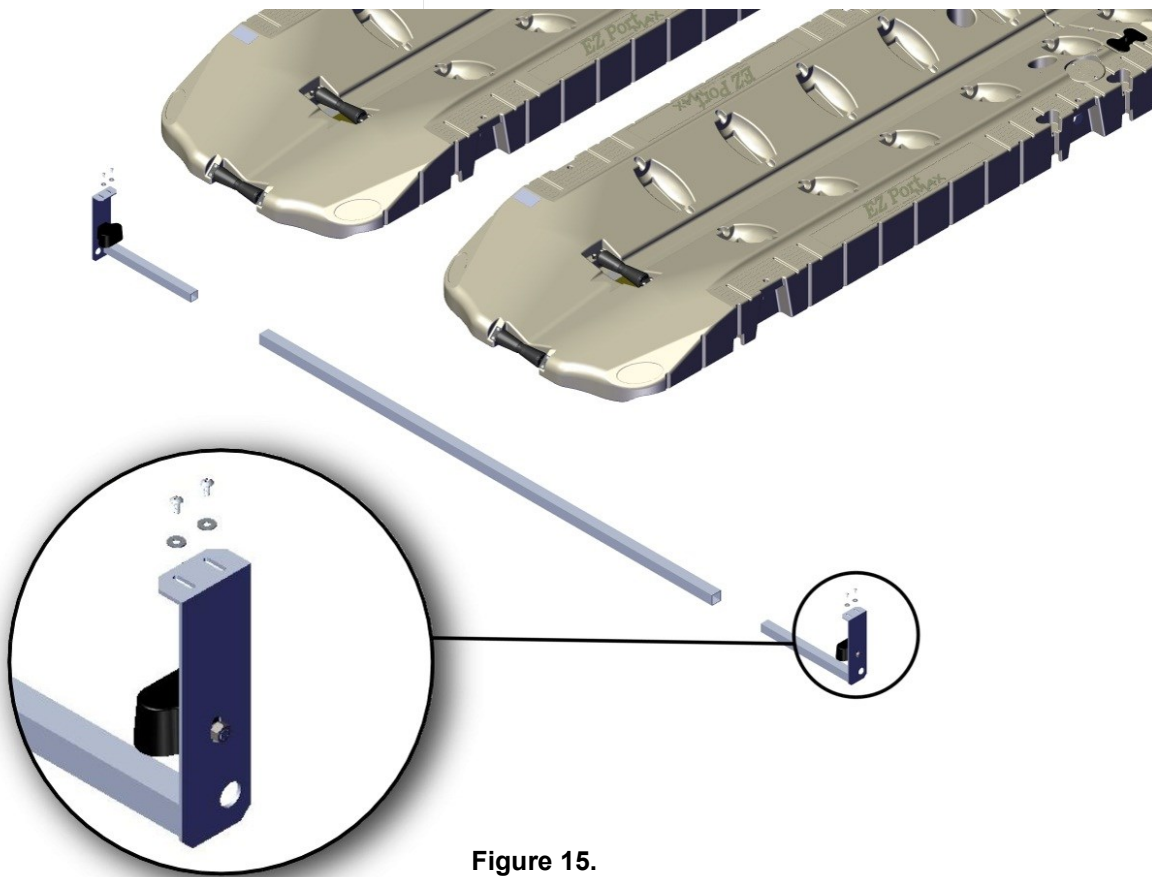


Figure 15.

## 5. EZ Pontoon Lift (PL2000) Air-Assist Hose Installation

The EZ Pontoon Lift, PL2000, utilizes the entry as the air-assist mechanism to supply the lift to get your pontoon boat up and out of the water. Using the supplied hose, connections, and clamps, install the supplied hose barb fittings into the molded-in, threaded couplings in the side of the ports. Please note that each port contains a pair, one on each side, of the molded-in threaded coupling. For the couplings, on the outside of the lift, ensure installation of the threaded plugs are in place. Push on the hose to each barb fitting and secure with the clamps. Repeat for both ports so that the hose runs between the ports. Install the “Y” fitting with hose clamps, as seen in the image below (Figure 16) and run the long hose along the ports connecting to the air-assist pump unit (Pump hose installation details shown in section 6).

### Tools required:

- Pliers (Standard or Slip Joint)
- Adjustable Wrench-Crescent style
- Thread/Plumbers Tape
- Marine Grade Grease

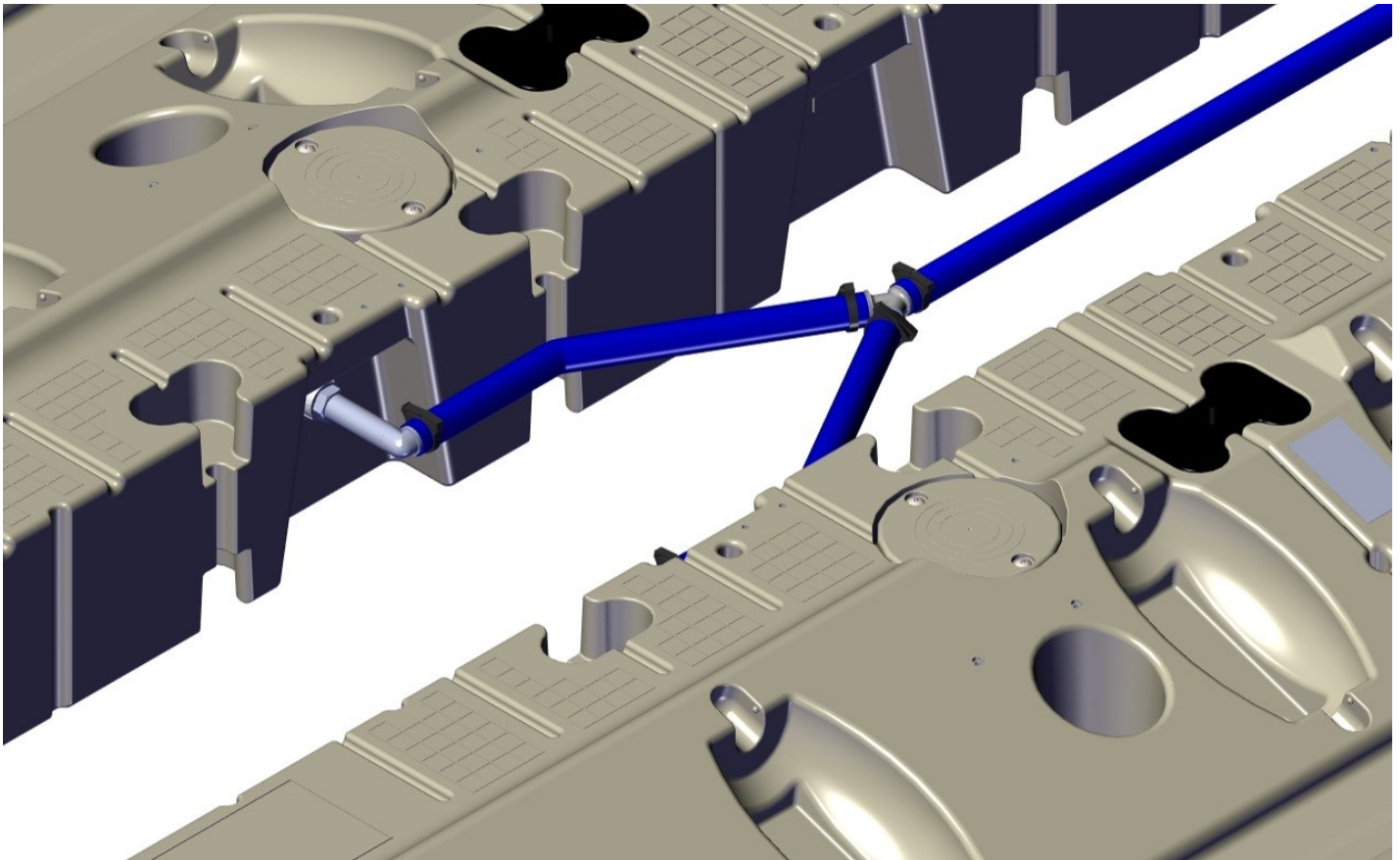


Figure 16.

## 6. EZ Pontoon Lift Under Water Finger Stiffener Installation (UFS350)

The EZ Pontoon Lift, PL3500, utilizes an Under Water Finger Stiffener (UFS) to ensure that the center to center dimension of the pontoon boat is maintained through out the length of the fingers. As seen in Figure 13 below, the UFS 350 connects to the molded in T-Nuts on the entry side of the port and uses a hardware connector to attach to the port. Using a slip tube method and a pair of 1/2" bolts to tighten the adjustment the center to center dimension of the pontoon boat can be maintained (Figure 17).

Shown below (Figure 18) is an exploded view illustrating the construction model of the UFS 350. The main rail has a larger inside dimension than that of the tubing welded to the attachment brackets allowing for a slip tube design to give the adjustability for various widths of pontoon center dimensions. The brackets attach to the ports using a pair of bolts which are threaded into the embedded t-nuts in the port. The lower portion of the brackets are held in with an EZ Dock hardware connector. The ladder rung style design allows the float tank protrusion to reside within the frame and with the use of the underwater strap resists movement due to use and wave action.

### Tools required:

- Pliers (Standard or Slip Joint)
- Ratchet and socket set
- Adjustable Wrench-Crescent style
- Open-end, boxed-end wrench set
- Marine Grade Grease

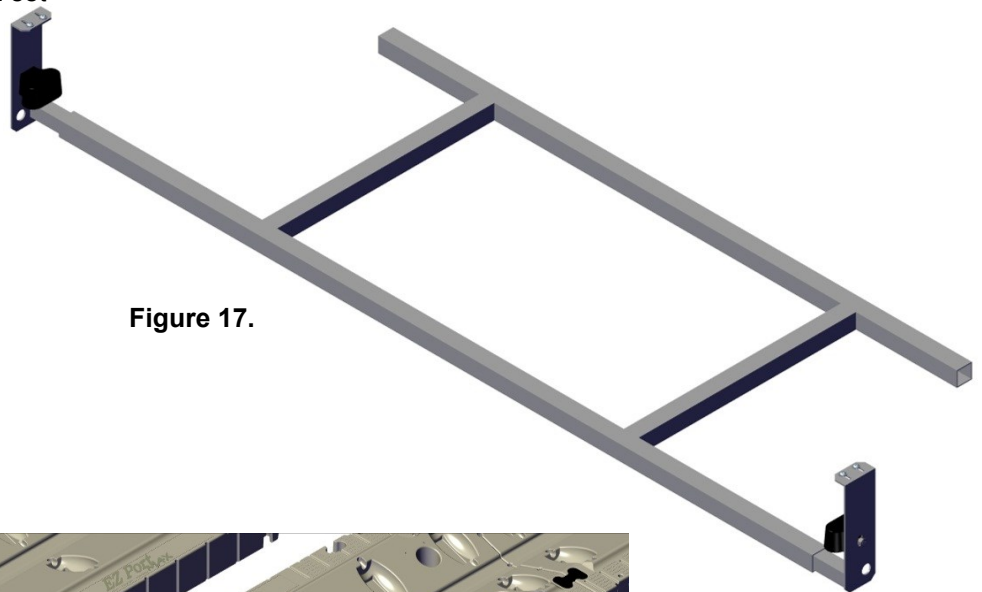


Figure 17.

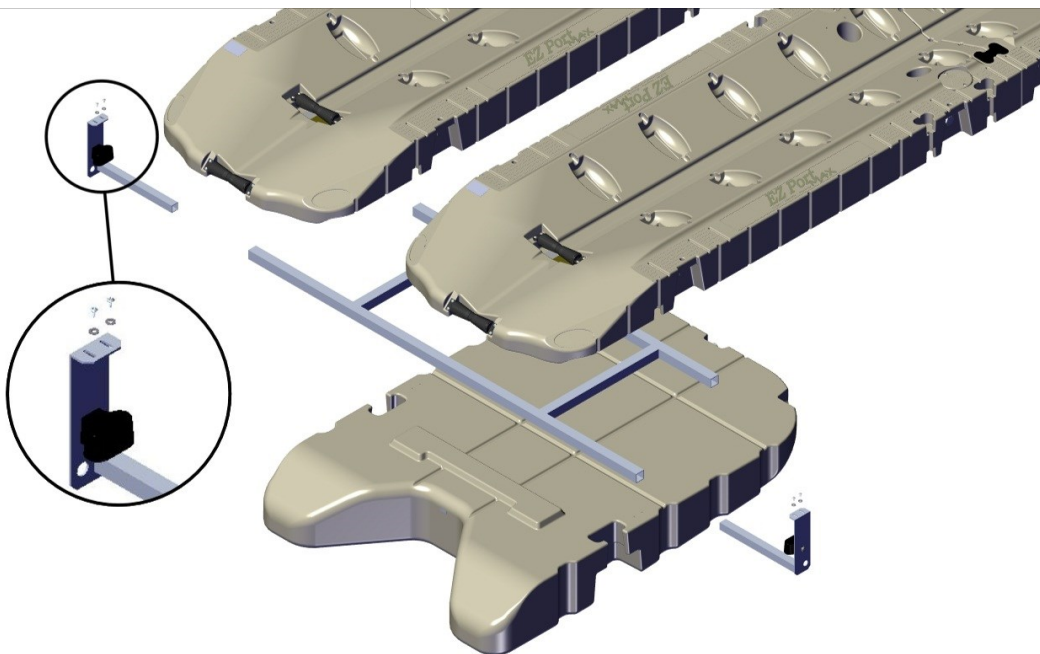


Figure 18.

## 7. EZ Pontoon Lift (PL3500) Air-Assist Hose Installation

The EZ Pontoon Lift, PL3500, utilizes a float tank as the air-assist mechanism to supply the lift to get your pontoon boat up and out of the water. Using the supplied hose, connections, and clamps, install the supplied hose barb fittings into the float tank. Please note that each port contains a pair, one on each side, of the molded in threaded coupling. For this installation ensure that these molded-in couplings are closed using thread tap and the supplied plugs. Push on the hose to each barb fitting and secure with the clamps. As seen in the image below (Figure 19), run the hose along the ports connecting to the air-assist pump unit (Pump hose installation details shown in section 6).

### Tools required:

- Pliers (Standard or Slip Joint)
- Adjustable Wrench-Crescent style
- Thread/Plumbers Tape
- Marine Grade Grease

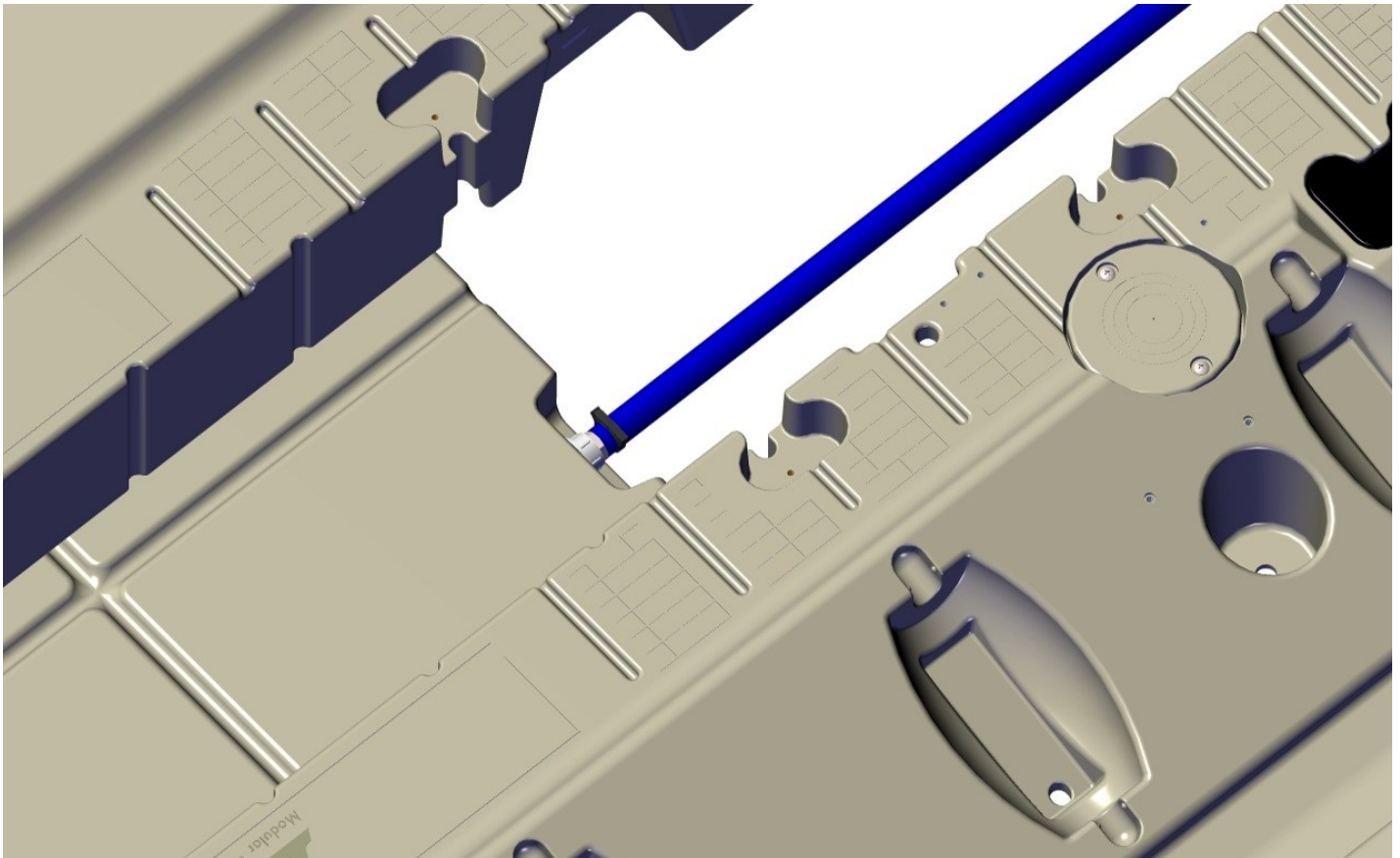


Figure 19.



## 8. EZ Pontoon Lift Air-Assist Pump Installation

The EZ Pontoon Lift utilizes either the entry section of the lift or an additional float tank to create the larger PL3500 kit. Both scenarios utilize an air-assist pump.

### Tools required:

- Ratchet and socket set
- Screwdrivers
- Hammer (rubber mallet)
- Pry-bar (small and large)

Connecting air-assist pump (Figure 20):

1. Insert the other end of the hose (Item 2) onto the Input/Output Valve on the pump unit (Item 1) and secure with hose clamp. (Item 3)

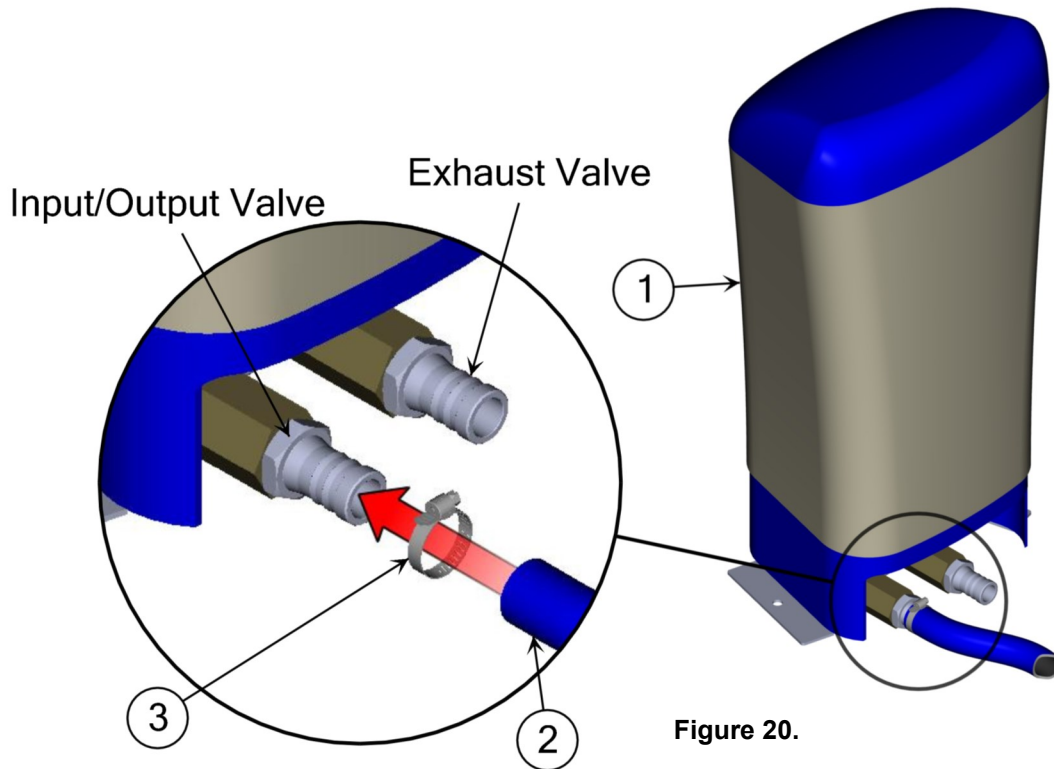


Figure 20.

ITEM	QTY.	PART NUMBER	DESCRIPTION
1	1	600041	Air-Assist Pump, Manual for EZ BoatPort
2	1	N/A	Hose 1" ID X 20' Blue
3	1	N/A	Hose Clamp

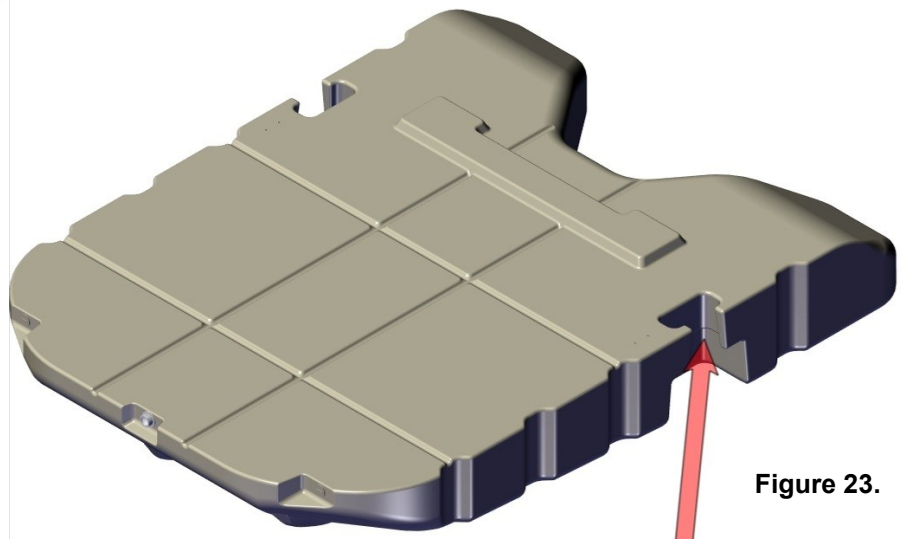
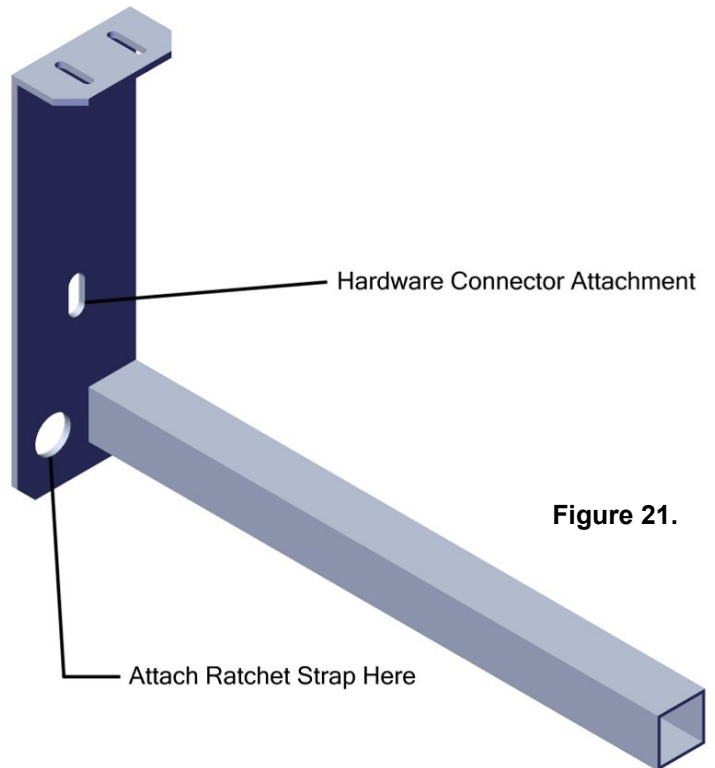
## 9. EZ Pontoon Lift (PL3500) Ratchet Strap Installation

The float tank used in the PL3500 Pontoon Lift must use a ratchet strap to hold the float tank in place during use and to resist movement due to wave action. The Underwater Finger Stiffener (UFS350) used in the PL3500 kit contains a pair of brackets, shown in Figure 21, which contain attachment holes for the ratchet strap. The supplied ratchet strap, shown in Figure 23 will be attached to each bracket and tightened to draw the float tank up tight against the bottom of the EZ Pontoon Lift.

Utilizing the molded in Connector Pockets in the float tank, (Figure 23) pass the ratchet strap through to secure.

### Tools required:

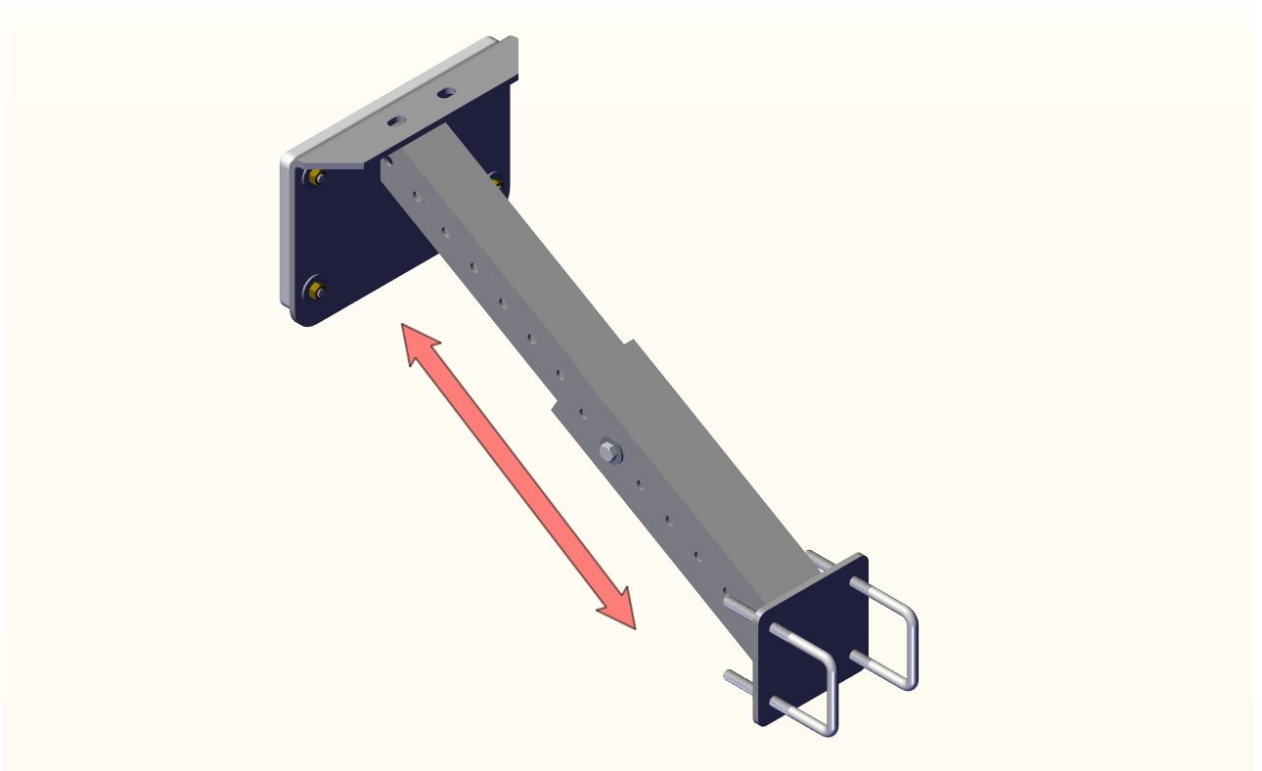
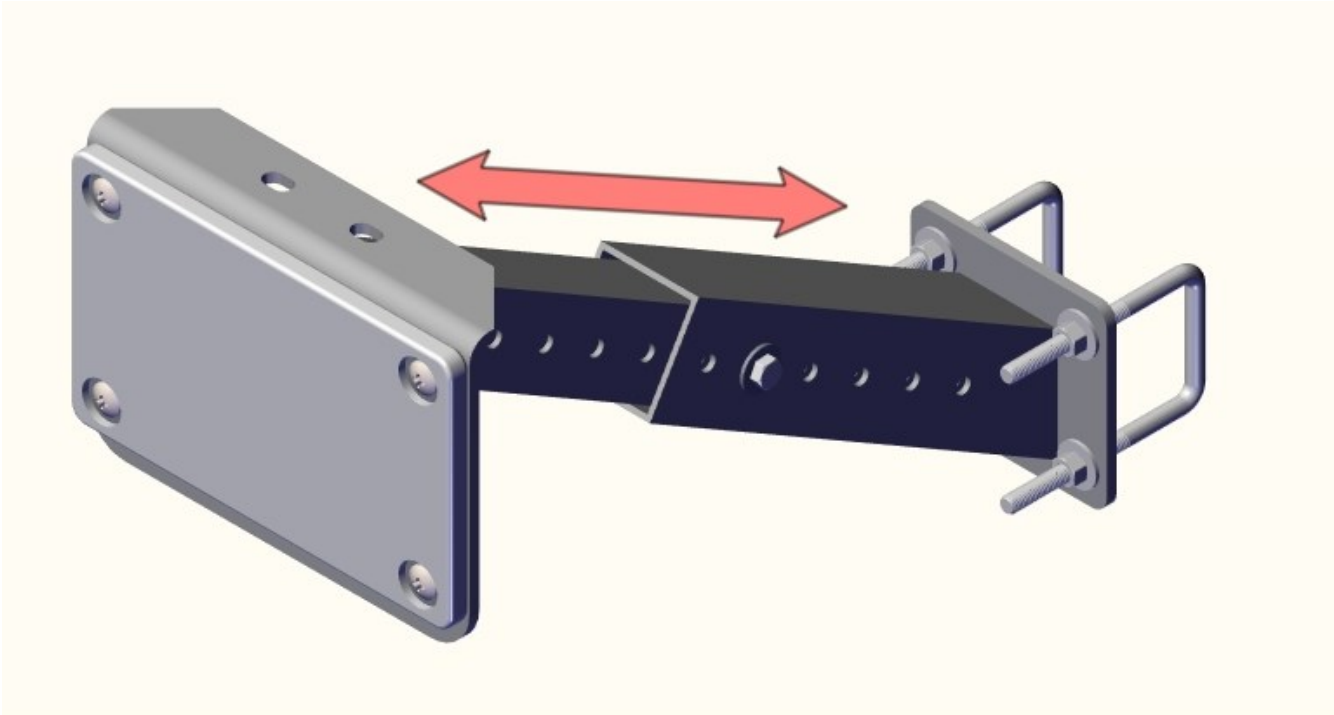
- Pliers (Standard or Slip Joint)
- Adjustable Wrench-Crescent style
- Thread/Plumbers Tape
- Marine Grade Grease



Molded In Connector Pockets

## 10. EZ Pontoon Lift Transom Motor Stop Installation (TMS200)

The EZ Pontoon Lift has an adjustable Transom Motor Stop which attaches to the Underwater Finger Stiffener. This provides a positive stop for your pontoon boat to ensure that proper placement of your boat on the lift is achieved. The stop is fully adjustable to accommodate for a change in height from one pontoon boat to another. The height will vary depending on the overall diameter of the pontoons on your boat. Simply attach the TMS200 to your UFS200 or UFS350 using the supplied pair of U-Bolts.



## 11. Porting Instructions



### #1 Idle Up to the EZ Pontoon Lift entry

Idle the nose of each pontoon on the boat to the stern of the EZ Pontoon Lift. Come to a complete stop and allow the center of the pontoon to center itself with the center of the lift.

**IT IS NOT RECOMMENDED OR NECESSARY TO BUILD UP MOMENTUM TO DOCK ON THE EZ PONTON LIFT.**



### #2 Ease into the Throttle

Once the boat is in-line with the lift, simply ease into the throttle and allow the machine to roll forward into the proper position.

**There is a learning curve with this technique and it may take you several attempts to get the boat into the proper position.**

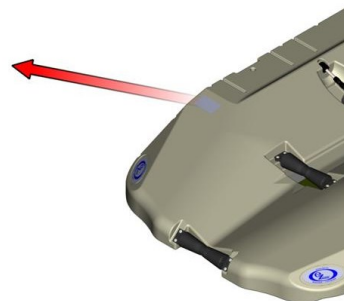


### #3 Roll Aboard & Power Off

When docking is complete, your boat should be stable on the lift with the power turned off. The boat should be secured to the lift when not in use.

The EZ Pontoon Lift is a simple drive-on, drive-off method of dry docking your pontoon. The self floating EZ Pontoon Lift moves with the changing water levels and helps protect your pontoon from wind, wave, or other environmental conditions. The EZ Pontoon Lift comes from the factory with an adjustable entry roller in its recommended position. However, you still may need to make minor roller adjustments. The roller should be adjusted accordingly to get optimum results. Launching your pontoon should also be effortless and one person should be able to drive the pontoon back into the water. If your pontoon is difficult to launch, seek help and contact your local dealer for tips. **Do not try to launch a “stuck” pontoon boat by yourself.**

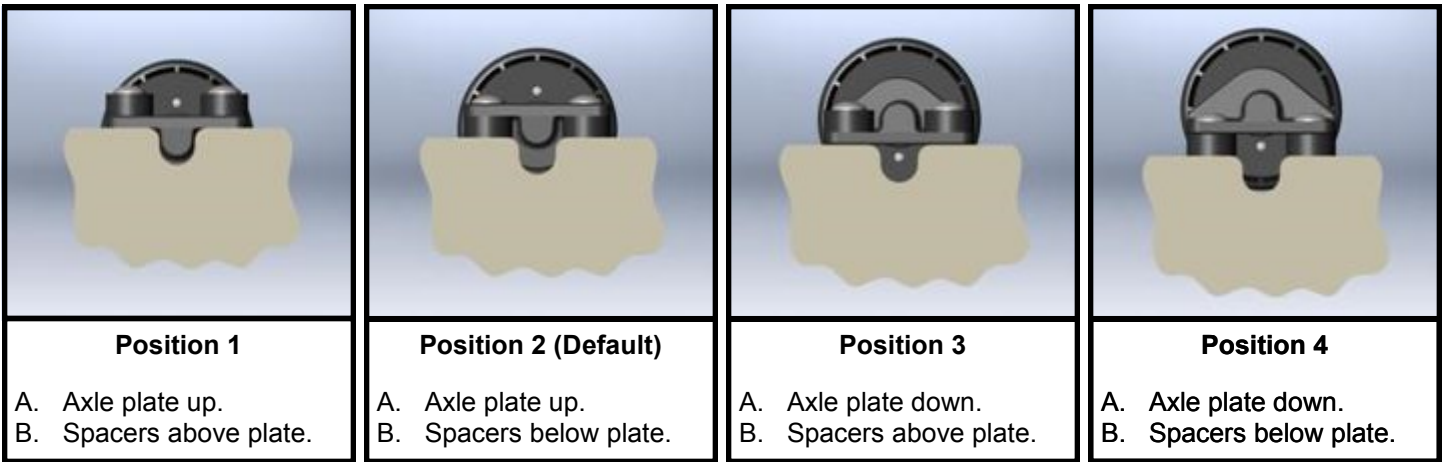
DOCKING INSTRUCTIONS	INSTRUCTIONS D'ACCOSTAGE	INSTRUCCIONES PARA ATRACAR UNA EMBARCACIÓN PERSONAL
1. DO NOT ATTEMPT TO DOCK PWC WHEN PEOPLE OR PETS ARE ON THE PWC PORT.	1. NE PAS TENTER D'ACCOSTER LA MOTOMARINE S'IL Y A DES PERSONNES OU DES ANIMAUX SUR LE QUAI.	1. NO INTENTE ATRACAR LA EMBARCACIÓN CUANDO HAYA PERSONAS O ANIMALES EN EL PUERTO.
2. DOCK AT IDLE SPEED ONLY.	2. TOUJOURS ACCOSTER AU RALENTI.	2. ATRAQUE SÓLO A VELOCIDAD DE MARCHA EN VACÍO.
3. STEER AND CENTER PWC NOSE OVER STERN ROLLER.	3. DIRIGER ET CENTRER LE NEZ DE LA MOTOMARINE SUR LE TAMBOUR ARRIÈRE.	3. GUÍE LA EMBARCACIÓN Y CENTRE LA PROA SOBRE EL RODILLO DE LA POPA.
4. APPLY THROTTLE LIGHTLY AND GRADUALLY UNTIL PWC RIDES UP OVER ROLLER AND ON TO PORT.	4. METTRE LES GAZ LÉGÈREMENT ET GRADUELLEMENT JUSQU'À CE QUE LA MOTOMARINE FRANCHISSE LE TAMBOUR ET ATTEIGNE LE QUAI.	4. APLIQUE EL ACELERADOR LEVEMENTE Y EN FORMA GRADUAL HASTA QUE LA EMBARCACIÓN SE SUBA SOBRE EL RODILLO Y ATRAQUE EN EL PUERTO.
5. SHUT OFF ENGINE.	5. COUPER LE MOTEUR.	5. APAGUE EL MOTOR.



## 12. Keel Roller Position for the EZ Pontoon Lift (S25050-BK)

Two EZ Pontoon Lift sections (206030PL and 206031PL) come from the factory with one adjustable keel roller located in front of the entry keel roller. This roller is factory installed in Position 2. It may be necessary to adjust the roller on your new EZ Pontoon Lift Entry (Figure 24). The roller can be placed in any one of four positions. The illustrations below show each of the four positions. A roller placed too high or too low may cause difficulty in docking and launching your Pontoon boat. This process may take several adjustments before getting the correct position for your pontoon boat model. Your EZ Pontoon Lift is designed to make launching and docking fast, fun, and easy.

**Note:** The entry keel roller is set in Position 1 without the black polyethylene spacers. It is recommended not to adjust this roller and leave it in the lowest position for smoother entry and exit.



### Tools required:

- Phillips Screwdriver

### Procedure:

Loosen 4 screws, (Item 3), and remove.

For Position 1, remove roller (Item 1) and spacers (Item 2). Replace roller as shown in illustration above. Place spacers on top of axle plate as shown. Install screws and tighten.

For Position 3, remove roller (Item 1) and spacers (Item 2). Replace roller as shown in illustration above. Place spacers on top of axle plate as shown. Install screws and tighten.

For Position 4, remove roller (Item 1). Replace roller as shown in illustration above with spacers (Item 2) below plate. Install screws and tighten.

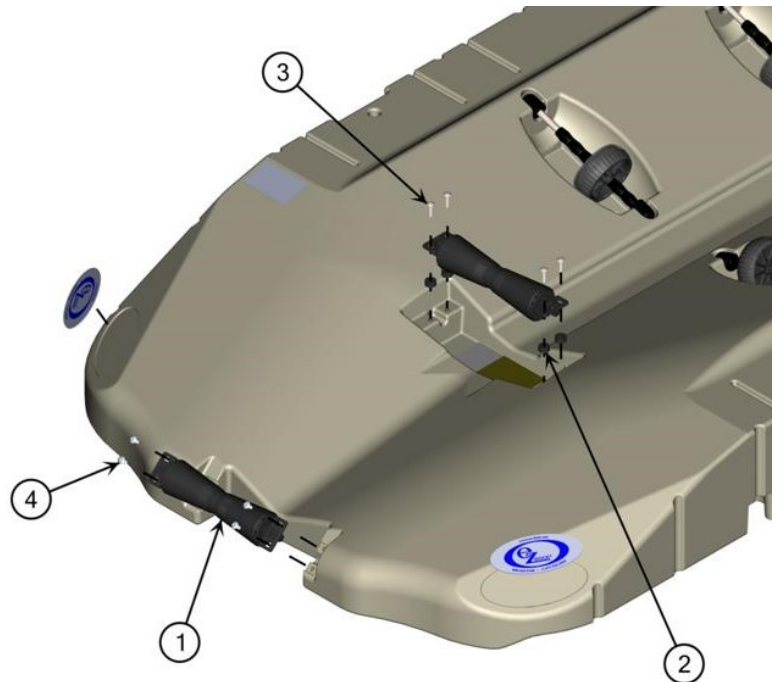
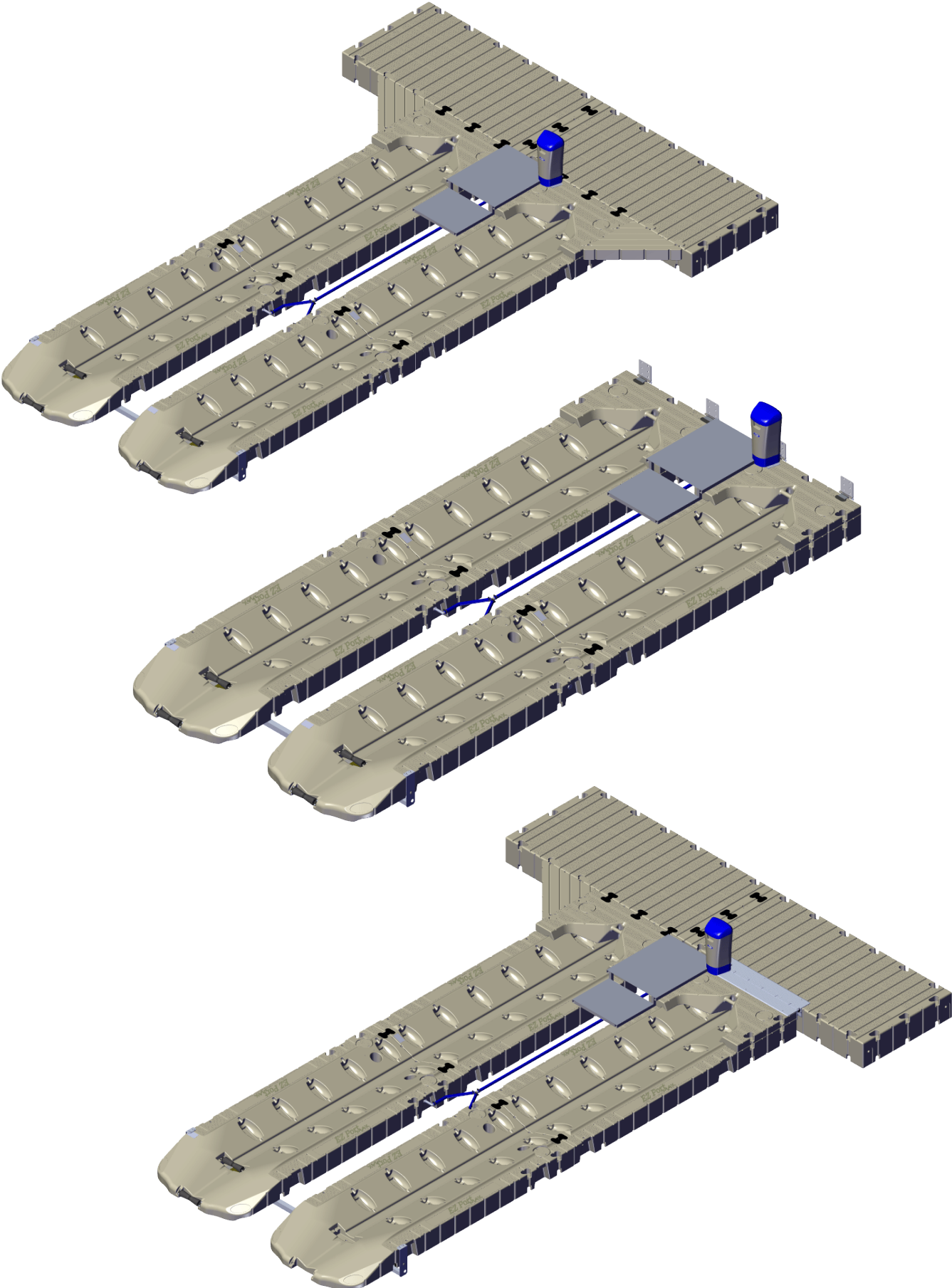


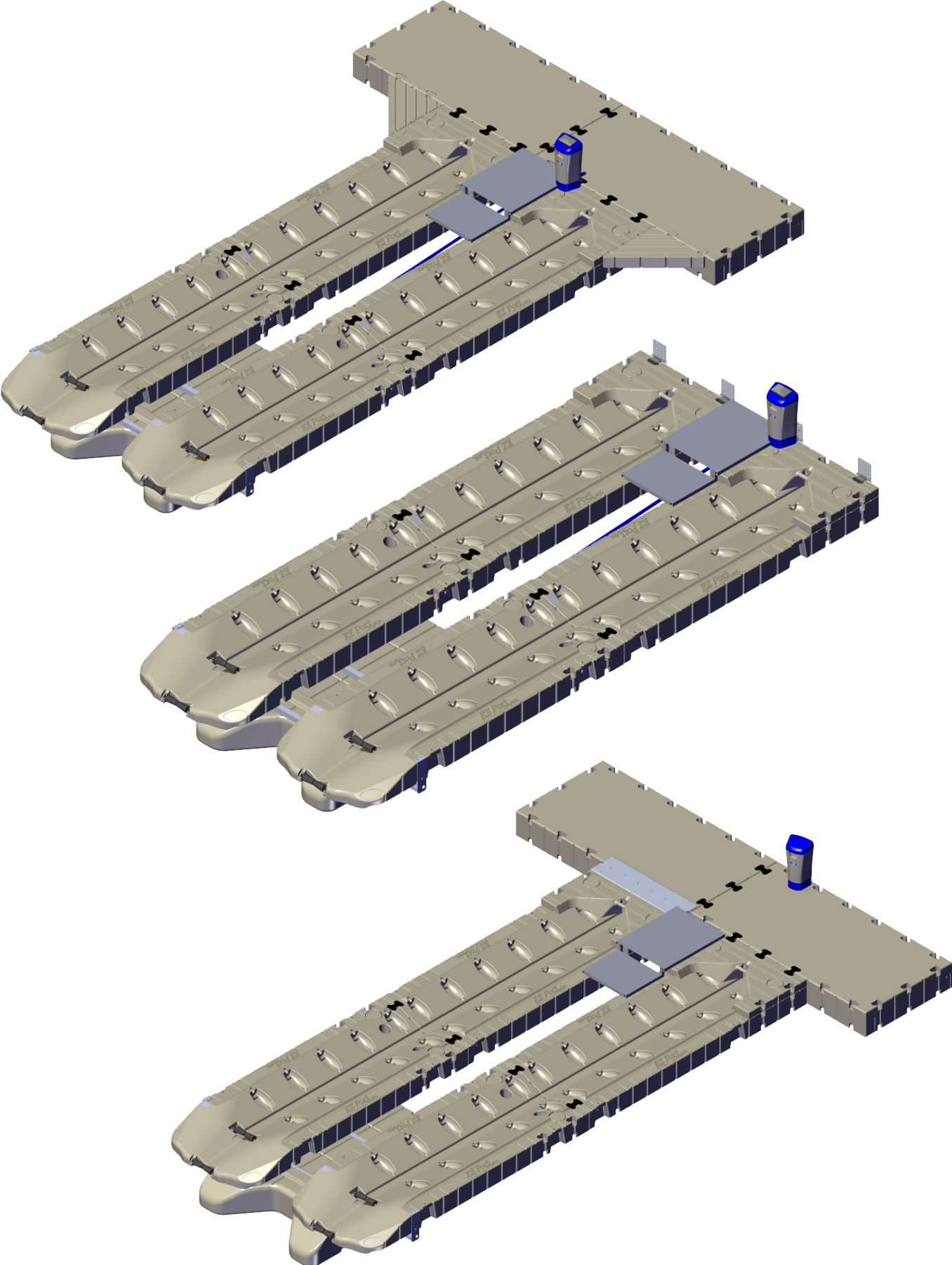
Figure 24.

ITEM	QTY.	PART NUMBER	DESCRIPTION
1	2	S25050-BK	Keel Roller, 12" Keel ASM INJ Black
2	4	S32050	Spacer 1" O.D. x 3/8" I.D. Black Polyethylene
3	4	80514SS	Bolt 5/16"-18 x 1-1/4" Truss HD 18-8 SS
4	4	80575SS	Bolt 5/16"-18 x 3/4" Truss HD 18-8 SS

Sample Configurations-PL2000



Sample Configurations-PL3500



## Limited Warranty:

**Flotation (8 Years)** - EZ Pontoon Lift, the units which construct the EZ Pontoon Lift, are warranted against cracks, breakage, leaks, and ultraviolet deterioration caused by defects in material and manufacturing workmanship for a period of eight (8) years from the date of purchase.

**Hardware and Accessories (1 Year)** - Hardware and accessories are warranted against defects in material and manufacturing workmanship for a period of one (1) year from the date of purchase.

These Limited Warranties specifically do not cover damages to EZ Dock products caused by: improper installation; use inconsistent with EZ Dock's instructions and product specifications; vandalism; severe weather and natural disaster; impact by watercraft, ice, falling trees, floating debris, and other foreign objects; animals or aquatic life; unauthorized product modification and attachment; and improper repair.

If an EZ Dock product fails under normal use and within the applicable warranty period, Buyer must submit a written claim to EZ Dock at 878 East Highway 60, Monett, MO 65708 USA. Claims must identify the failed product(s), describe the claimed defect(s), and include copies of dated proofs of purchase/receipts from an authorized EZ Dock reseller.

Upon receiving sufficient proof of covered product failure, EZ Dock will, in its sole discretion, either repair or replace failed products within a reasonable time after notice, and ship, at Buyer's expense, repaired and/or replacement products to the site. "Repair" may be limited to providing a repair kit to Buyer. Costs related to the removal of failed products, and the installation of repaired and/or replaced products shall be at Buyer's expense.

Warranty periods begin on the date of purchase from an authorized EZ Dock reseller. Repaired and replacement products are warranted only for the balance of the original limited warranty period. These limited warranties extend only to the original Buyer of products from an authorized EZ Dock reseller ("Original Purchaser"). Warranties are not transferable to anyone who subsequently purchases products from the Original Purchaser, or to any subsequent purchaser.

In order to ensure proper warranty coverage, Buyer should activate these Limited Warranties by properly registering the purchase of EZ Dock products within thirty (30) days of the date of purchase via the Registration Card provided in EZ Dock's Owner's Manual, or by registering online by going to [www.ez-dock.com](http://www.ez-dock.com), clicking "Customer Service" and then clicking "Product Registration".

Buyer, by acceptance and use of these limited warranties, waives any rights it would otherwise have to claim or assert that these limited warranties fail of their essential purposes. Buyer agrees that venue for any court action to enforce these limited warranties shall be in Barry or Greene Counties in the State of Missouri.

**THE FOREGOING LIMITED WARRANTY IS THE SOLE AND EXCLUSIVE WARRANTY FOR SELLER'S PRODUCTS, AND IS IN LIEU OF ALL OTHER WARRANTIES, EXPRESS OR IMPLIED, IN LAW OR IN FACT. SELLER SPECIFICALLY DISCLAIMS ALL OTHER WARRANTIES, EXPRESS OR IMPLIED, INCLUDING, WITHOUT LIMITATION, ALL IMPLIED WARRANTIES OF MERCHANTABILITY AND FITNESS FOR A PARTICULAR USE OR PURPOSE, AND ANY IMPLIED WARRANTIES ARISING OUT OF COURSE OF DEALING OR PERFORMANCE OR TRADE USAGE. SELLER SHALL NOT BE LIABLE FOR ANY INCIDENTAL, CONSEQUENTIAL, EXEMPLARY, SPECIAL, OR PUNITIVE DAMAGES, OR ANY LOSS OF REVENUE, PROFIT OR USE, ARISING OUT OF A BREACH OF THIS WARRANTY OR IN CONNECTION WITH THE SALE, INSTALLATION, MAINTENANCE, USE, OPERATION OR REPAIR OF ANY PRODUCT. IN NO EVENT WILL SELLER BE LIABLE FOR ANY AMOUNT GREATER THAN THE PURCHASE PRICE OF A DEFECTIVE PRODUCT.**





***The first dock of its kind...The last dock you will ever need®.***

**www.ez-dock.com**

**USA/Canada: 1-800-654-8168**

**Int'l: 1-417-235-2223**

**Europe: +46 (0) 380 47 300**

©2013 EZ Dock, Inc. EZ Dock is a member of the PlayPower family of companies, which also includes Miracle Recreation Equipment company, PlayPower LT Farmington, Inc., SoftPlay, L.L.C., HAGS, RSS, Records, and SMP.