



EZ Port & Stow™

Personal Watercraft Port

Owners Manual and Installation Instructions for EZ Port & Stow™
Model: 206016PW-EZ

Installation Instructions

For questions about features, operation/performance, parts, accessories or service, call your local dealer or your nearest EZ Dock distributor at 1-800-654-8168 or +1-417-235-2223 for international customers.

Additional information regarding EZ Dock products and services can be found on the internet at www.ez-dock.com



The first dock of its kind...The last dock you'll ever need®.

Table of Contents

| | |
|---|-----|
| Assembly, Installation, Maintenance and Safety..... | 3 |
| EZ Port & Stow Specifications..... | 3 |
| Site Preparation..... | 4 |
| Selecting Your Installation/Attachment Methods..... | 4-7 |
| 1a Coupler installation for EZ Dock Attachment..... | 4 |
| 2a Anchoring with Integrated Pipe Brackets for stand-alone mount..... | 6 |
| 2b Pipe Stand-Off Brackets for fixed pier or dock mount..... | 6 |
| 3a Hinge Kit 100750 for Floating Dock Mount..... | 7 |
| Roller Adjustment for EZ Port & Stow..... | 8 |
| Porting Techniques..... | 9 |
| Exploded Assembly..... | 10 |
| Storage Area..... | 11 |
| Warning..... | 11 |
| Storage Lid Exploded Assembly..... | 12 |
| Warranty/Customer Service..... | 13 |
| Maintaining your EZ Port & Stow..... | 13 |
| Serial Code..... | 13 |

Dear Port & Stow Customer,

The EZ Dock team thanks you for your purchase. We know that you had other choices of personal watercraft ports, and we appreciate your decision to purchase a EZ Port & Stow.

You will find it easy to maintain your EZ Port & Stow and to add accessories and other components to your port in the future. The EZ Port & Stow is the most durable port on the market, and your friends and family will enjoy this port for many years to come.

Before you install your new EZ Port & Stow, please take a moment and fill out the registration card. To save time, you can also register online at www.ez-dock.com. By registering your product, you will activate your product warranty and thereby protect your purchase against covered product defects. Please feel free to give your EZ Dock customer service department a call with any issues that you may have with your EZ Port & Stow. You can reach our customer service department by dialing:

USA/Canada: 1-800-654-8168

Int'l: +1-417-235-2223

Europe: +46 (0) 70 525 8588

IMPORTANT! Assembly, Installation, Maintenance and Safety:

You should read these instructions thoroughly before assembling and installing your EZ Port & Stow. Please adhere to all recommendations and cautionary suggestions appearing in this manual and always follow the instructions precisely. Please save these instructions and refer to them as needed for future reference.

Tools and Requirements:

As with any assembly and installation, some tools are required to assemble and install your EZ Port & Stow. You may not need every tool listed below for your particular installation, but the following tools are generally helpful in the installation process (for professional installation, call your local EZ Dock distributor or dealer):

- EZ Dock in-water installation tool (900010)(only needed for EZ Dock mounting)
- 1/2" drive ratchet
- socket set (especially 1/2", 9/16", 5/8", 11/16", 15/16" sq. HD. or 19mm - 12pt)
- open-end, boxed-end wrench set (above mentioned sizes)
- screwdrivers (Phillips and standard)
- pliers
- adjustable wrenches
- hammer
- pry-bar (small and large)
- rope (at least 3/8" braided nylon)
- power drill and bits
- utility knife

EZ Port & Stow Specifications

Length: 184" (4.7 m)

Width: 60" (1.5 m)

Height: 15" (38 cm)

Weight: 520 lbs. (236 kg)

Floatation Capacity: 1450 lbs. (658 kg)

Because of the rotomolding process, weights and dimensions may vary.

Site Preparation

Every EZ Port & Stow installation will be site specific and must be configured specifically for the end user's intended application. Some factors that must be taken into consideration when determining the components necessary for a proper installation are: intended usage, water conditions, soil and bed conditions, and climatic conditions. There are a few simple rules to follow when determining layout configuration.

Be certain that your installation configuration is designed to accommodate the daily intended use of your EZ Port & Stow. Please take into account the following:

- commercial application needs
- public access requirements
- private docking needs
- scale of operation and use (size of PWCs, number of people, etc.)
- other special considerations affecting your daily use

Be aware of the unique characteristics of the specific body of water and consider how such conditions will affect the installation. Take into account:

- overall area of the body of water
- water depth (at the shore and at the furthest point from shore)
- normal and greatest wave action
- water level fluctuation

Understand and consider your maintenance and performance requirements and evaluate your ability to fulfill them.

- Determine whether your installation will be attended and inspected on a regular basis.
- Become acquainted with the normal movement associated with floating structures.
- Determine whether you are capable of performing your own installation, or whether it is best to hire a professional.

Once you have considered and worked out the issues above, the next step is to select the installation mounting method that is best for you. Since no two installations are ever exactly the same, each and every EZ Port & Stow installation must be designed and configured for the specific and intended application.

Selecting your Installation/Attachment Method

There are a number of anchoring/mounting methods available for use with the EZ Port & Stow.

EZ Dock System mount (1a): If the EZ Port & Stow is used in conjunction with an EZ Dock system, simply use a coupler set to attach the EZ Port & Stow (**refer to the coupler installation instruction 1a**).

Stand-alone (2a) or fixed pier or dock mount (2b): Anchor EZ Port & Stow to a stationary or fixed pier using the integrated pipe bracket or pipe stand-off brackets (**refer to the installation instruction 2a or 2b**).

Floating dock mount (3a): EZ Port & Stow can be attached to a floating dock with the floating dock adapter hinge kit (**refer to the installation instruction 3a**).

1a Coupler Installation for EZ Dock Attachment

Align dock sections so coupler pockets are adjacent to each other (see Figure 1).

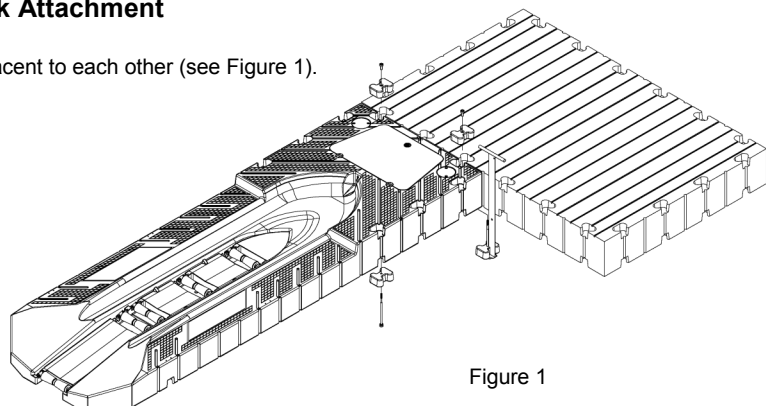


Figure 1

Insert coupler bolt into coupler; align the index mark on the head of the bolt so that the splines line up into the notched pockets in the coupler. Using a hammer seat the bolt into the coupler (figure 2). Next, using the in-water installation tool (figure 3) insert the coupler and bolt assembly into the bottom pocket with the bolt pointing upward.

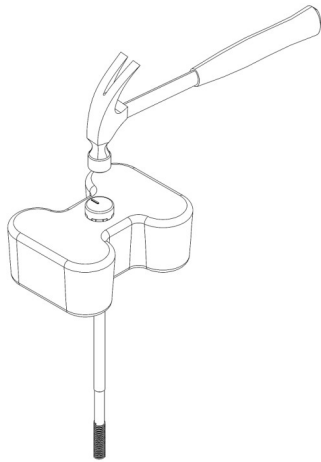


Figure 2

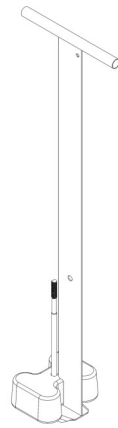


Figure 3



Pull up on the in-water installation tool to seat the bottom coupler. While holding pressure insert the top coupler into the opposing pocket. Finish the assembly by aligning the hole in the top coupler over the rod and push the coupler into the pocket (Figure 4). Using the coupler installation tool, fully thread the nut onto the bolt. The installation drive tool is splined to be inserted into the nut, allowing a 15/16" socket to access it (Figure 5). When using the composite hardware, it is apparent when the bolt is tightened properly. The top of the bolt will be visible through the hole in the nut, and the bolt should be flush with the top of the dock. Torque to 15 ft-lb, top of bolt should be 1/2" below top of nut. DO NOT OVER TIGHTEN THE NUT!

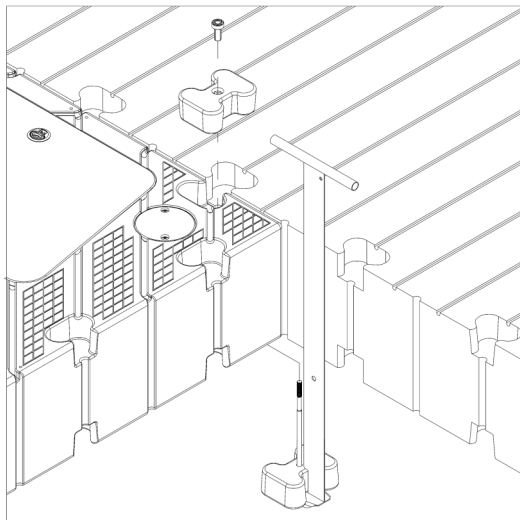


Figure 4

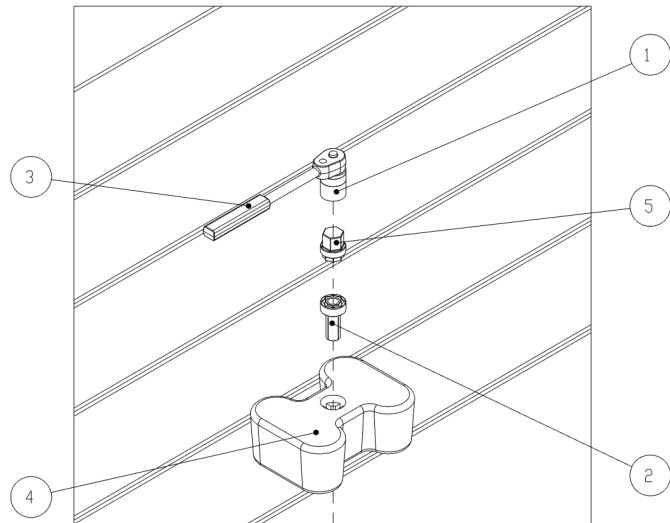


Figure 5

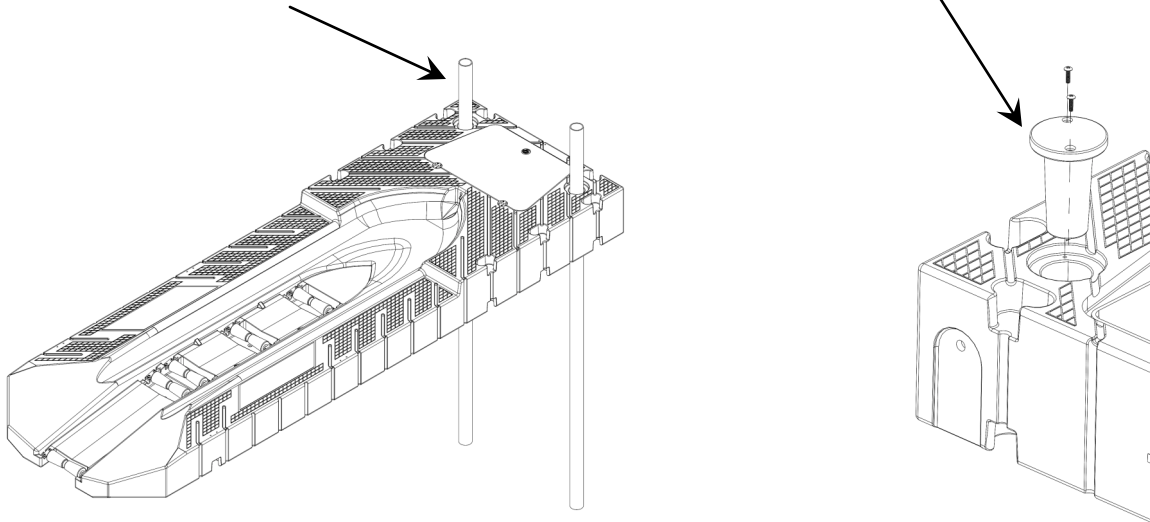
| ITEM | QTY. | PART NO. | DESCRIPTION |
|------|------|----------|--------------------------------------|
| 1 | 1 | | 15/16" SOCKET |
| 2 | 2 | 22003 | EZ DOCK COUPLER NUT |
| 3 | 1 | | RATCHET |
| 4 | 4 | 311010 | COUPLER |
| 5 | 1 | 900005 | TOOL, COMPOSITE COUPLER INSTALLATION |

2a Anchoring EZ Port & Stow with Integrated Pipe Brackets (Stand-alone Mount)

Your EZ Port & Stow comes equipped with pipe bracket fillers. These covers are located toward the front of the unit. These will need to be removed for this mounting option (see below).

PVC pipe can be sleeved over steel pipe to act as a wear sleeve.

Remove 2 screws and lift pipe bracket filler out.



- Pipes can be used to secure your new EZ Port & Stow. When pipes are used, they must be sufficiently driven or screwed into the lake-, river-, or ocean-bed to a minimum depth of 1/3 the water depth.
- It is recommended to use pipe augers, except in rocky or shale bottoms. Augers allow the pipe to be turned into the lake, river, or ocean bed like a cork screw by using a pipe wrench, or by drilling a hole in the pipe and using a T-handle.
- Pipe needs to be plumb and sufficiently driven to remain vertical.
- Pipe diameter: Your EZ Port & Stow is designed to use 3.0" pipe with an outside diameter of 3.5". It is recommended that pipe be sleeved with 4.0" PVC pipe to act as a wear sleeve.
- In salt- or brackish-water conditions, it is recommended that steel pipe be sleeved with PVC pipe. This will help prevent abrasion and wear on the pipe bracket, rust, and improve appearance.

2b Pipe Stand-Off Brackets Installation (Fixed Pier or Dock Mount)

When installing a EZ Port & Stow (for fixed pier/dock mount) next to a concrete abutment or fixed dock, it is recommended that the top of the pipe be secured to the abutment by a "pipe stand-off bracket" (Figure 6 & 7).

1. Install the pipe stand-off bracket high enough to maintain clearance between it and the pipe bracket at high-water level.
2. Determine the position of the pipe stand-off bracket on the existing dock, pier or abutment.
3. Place the pipe stand-off bracket into the installed pipe, mark, and then drill corresponding holes into abutment and attach.
4. Attach the "pipe stand-off bracket" using four wood screws or concrete anchors.

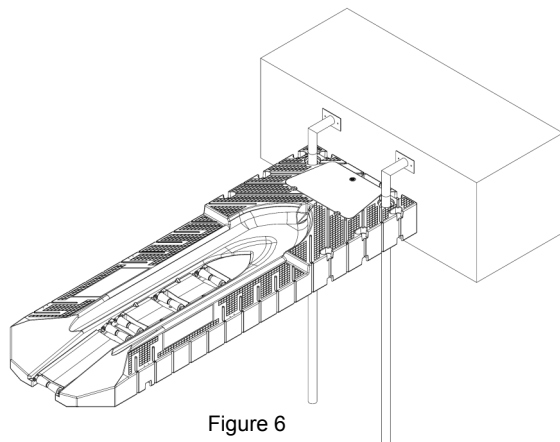


Figure 6

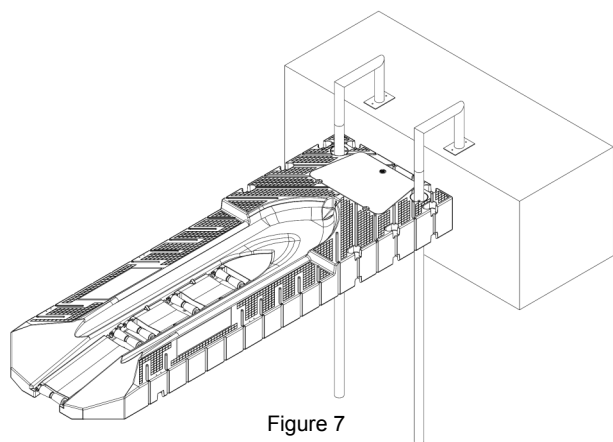


Figure 7

3a Hinge Kit Installation Instructions 100750 (for Floating Dock Mount)

1. Measure the freeboard of the fascia or concrete abutment where the connection will be made.
2. Determine the best position for the hinge adapter plate. The plate can be above (Figure 8), perpendicular, or directly in front of the hinge adapter bracket (Figure 9).
3. No additional weight should be on the port while measuring hinge adapter plate location.
4. When attaching to a wooden structure, use carriage bolts (not included) to attach the adapter plate. If attaching to a steel or aluminum structure, it may be necessary to first attach a 2" X 8" (5cm X 20cm) wooden fascia.
5. When attaching to a concrete abutment, concrete anchor bolts (not included) are needed.
6. When the adapter hinge plate is securely in place, float the EZ Port & Stow into position and secure the hinge pin.

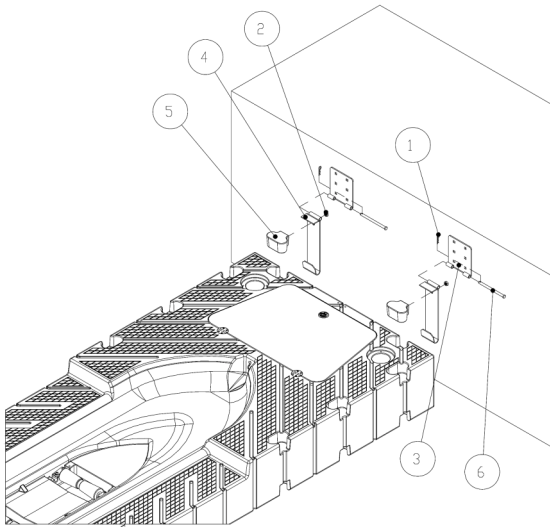


Figure 8

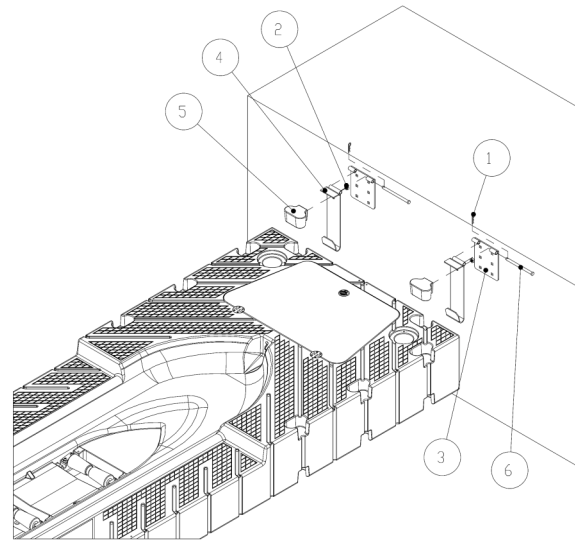
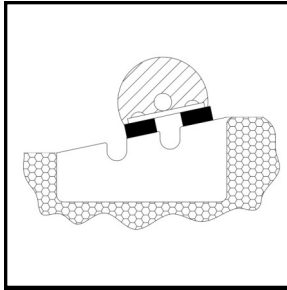


Figure 9

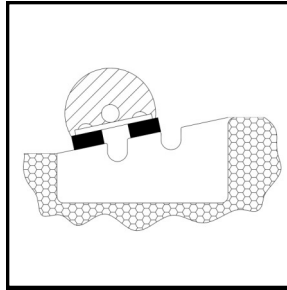
| ITEM | QTY. | PART NO. | DESCRIPTION |
|------|------|----------|-------------------------------|
| 1 | 2 | 80011 | CLIP HINGE PIN #11 |
| 2 | 2 | 80580 | NUT 5/8-11 LOCK |
| 3 | 2 | S10712 | EZ DOCK FLOATING DOCK ADAPTER |
| 4 | 2 | S10713 | EZ DOCK FLOATING DOCK ADAPTER |
| 5 | 2 | S21140 | CONNECTOR HARDWARE W/SS |
| 6 | 2 | S80968SS | HINGE PIN |

Roller Adjustment for EZ Port & Stow

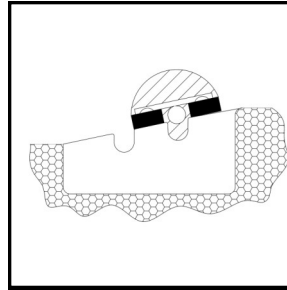
The EZ Port & Stow comes from the factory with the rollers in their recommended roller position. For some personal watercraft (PWC) models, it may be necessary to adjust the rollers on your new EZ Port & Stow. Your EZ Port & Stow can be adjusted to fit most PWCs. Each roller is adjustable and can be placed in any one of eight positions. The illustrations below show each of the eight positions. A roller placed too high may cause your PWC to tip to one side. A roller placed too low may cause difficulty in launching and docking your PWC. Your EZ Port & Stow is designed to make launching and docking fast, fun, and easy. This process may take several adjustments before getting the correct position for your PWC model.



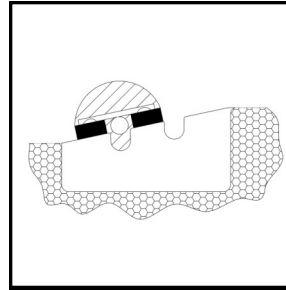
#1 Position
 A. Upper roller tray
 B. Axle plate down
 C. Spacers below plate



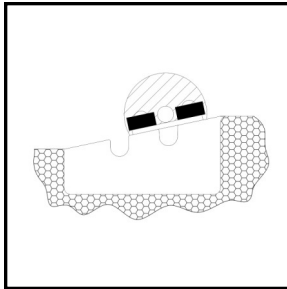
#2 Position
 A. Lower roller tray
 B. Axle plate down
 C. Spacers below plate



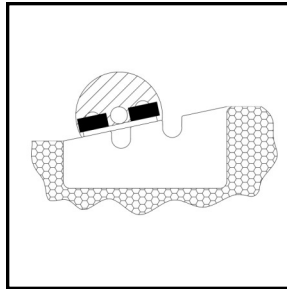
#3 Position
 A. Upper roller tray
 B. Axle plate up
 C. Spacers below plate



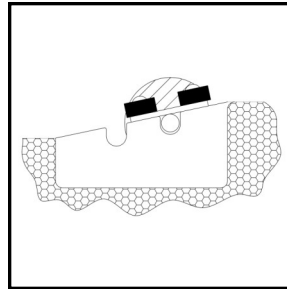
#4 Position
 A. Lower roller tray
 B. Axle plate up
 C. Spacers below plate



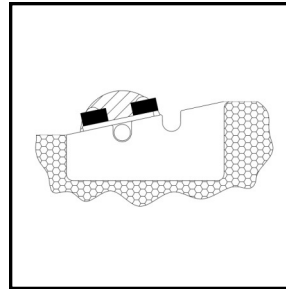
#5 Position
 A. Upper roller tray
 B. Axle plate down
 C. Spacers above plate



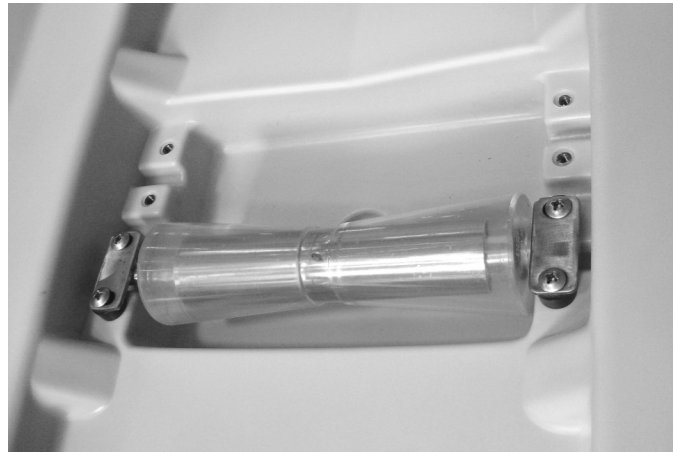
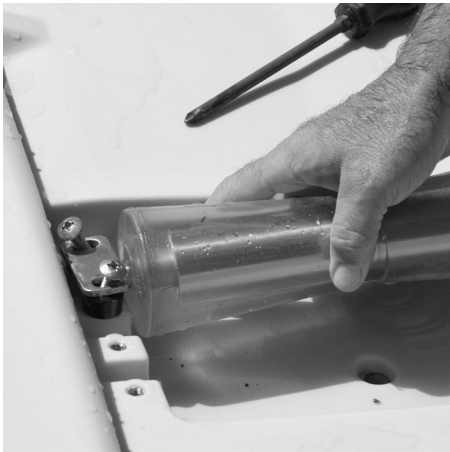
#6 Position
 A. Lower roller tray
 B. Axle plate down
 C. Spacers above plate



#7 Position
 A. Upper roller tray
 B. Axle plate up
 C. Spacers above plate



#8 Position
 A. Lower roller tray
 B. Axle plate up
 C. Spacers above plate



Porting Techniques



#1 Idle Up to Port Stern

Idle the nose of the watercraft to the stern roller of the EZ Port & Stow. Come to a complete stop and allow the watercraft to center itself with the keel in-line with the center of the rollers.

It is not recommended or necessary to build up momentum to dock on the EZ Port & Stow.



#2 Ease into the Throttle

Once the watercraft is in-line with the rollers, simply ease into the throttle and allow the machine to port in the proper position.

There is a learning curve with this technique and it may take you several attempts to get the watercraft into the proper position.



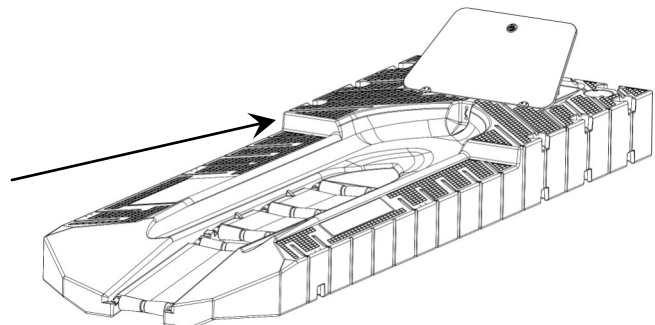
#3 Roll Aboard

When docking is complete, your watercraft should be all the way out of the water and stable on the port. The watercraft should also be secured to the tie-up cleat when not in use.

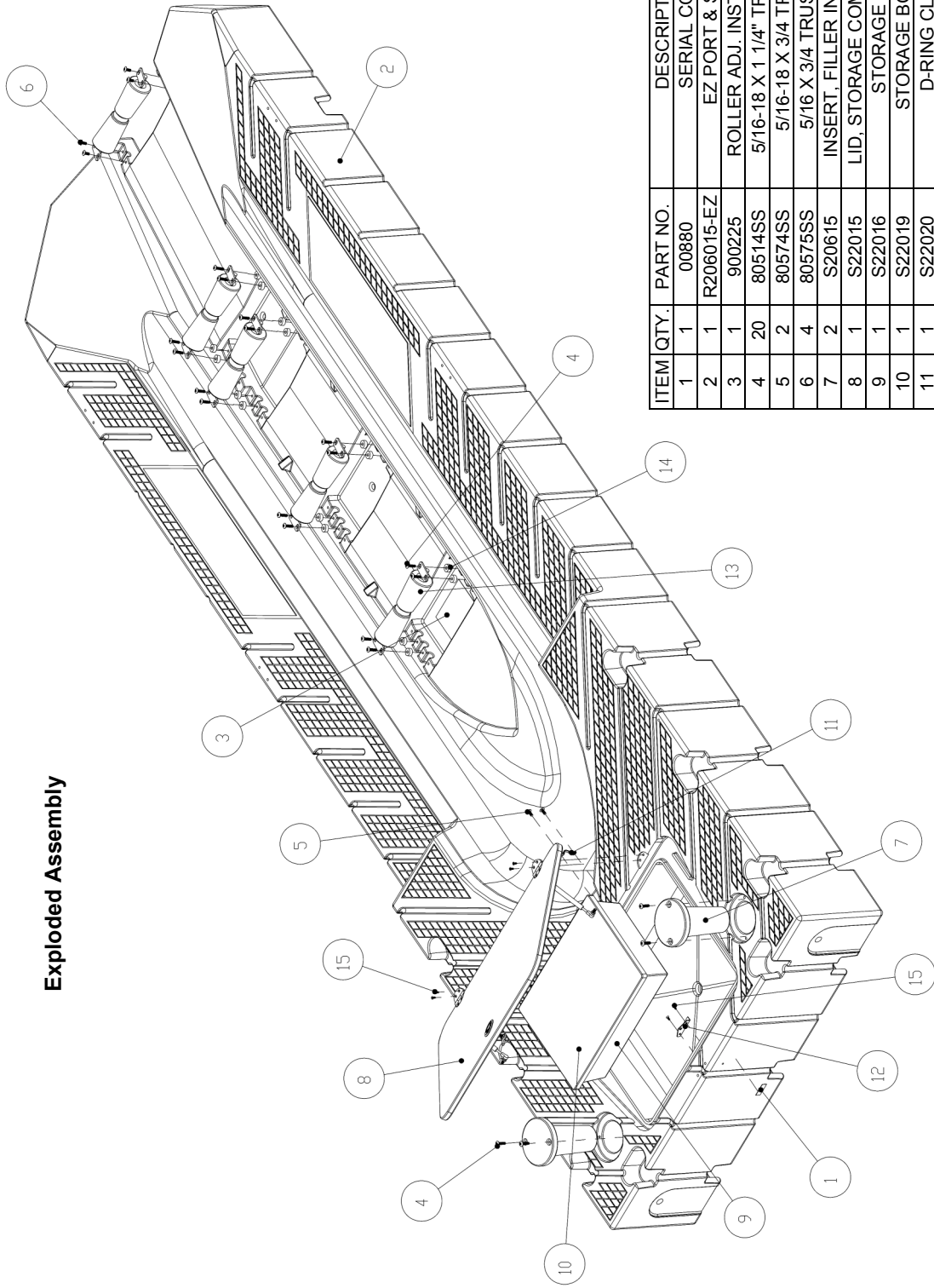
If the watercraft is not stable, roller adjustments may be necessary.

The EZ Port & Stow is a simple drive-on, push-off method of dry docking your PWC. The self floating EZ Port & Stow moves with the changing water levels and protects your watercraft from wind, wave, or other environmental conditions. The EZ Port & Stow comes from the factory with the rollers in their recommended roller position. However, you still may need to make minor roller adjustments. It is very important to ensure that the watercraft enters the port and disembarks with the weight distributed on the rollers and not rubbing on the polyethylene port walls. The rollers should be adjusted accordingly to get optimum results. Launching your watercraft should also be effortless and one person should be able to shove the watercraft back into the water. If your watercraft is difficult to launch, seek help and contact your local dealer for roller set-up. Do not try to launch a "stuck" port by yourself.

| DOCKING INSTRUCTIONS | INSTRUCTIONS D'ACOSTAGE | INSTRUCCIONES PARA ATRACAR UNA EMBARCACIÓN PERSONAL |
|--|---|---|
| 1. DO NOT ATTEMPT TO DOCK PWC WHEN PEOPLE OR PETS ARE ON THE PWC PORT. | 1. NE PAS TENTER D'ACOSTER LA MOTOMARINE S'IL Y A DES PERSONNES OU DES ANIMAUX SUR LE QUAI. | 1. NO INTENTE ATRACAR LA EMBARCACIÓN CUANDO HAYA PERSONAS O ANIMALES EN EL PUERTO. |
| 2. DOCK AT IDLE SPEED ONLY. | 2. TOUJOURS ACCOSTER AU RALENTI. | 2. ATRAQUE SÓLO A VELOCIDAD DE MARCHA EN VACÍO. |
| 3. STEER AND CENTER PWC NOSE OVER STERN ROLLER. | 3. DIRIGER ET CENTRER LE NEZ DE LA MOTOMARINE SUR LE TAMBOUR ARRIÈRE. | 3. GUÍE LA EMBARCACIÓN Y CENTRE LA PROA SOBRE EL RODILLO DE LA POPA. |
| 4. APPLY THROTTLE LIGHTLY AND GRADUALLY UNTIL PWC RIDES UP OVER ROLLER AND ON TO PORT. | 4. METTRE LES GAZ LÉGÈREMENT ET GRADUELLEMENT JUSQU'À CE QUE LA MOTOMARINE FRANCHISSE LE TAMBOUR ET ATTEIGNE LE QUAI. | 4. APLIQUE EL ACELERADOR LEVEMENTE Y EN FORMA GRADUAL HASTA QUE LA EMBARCACIÓN SE SUBA SOBRE EL RODILLO Y ATRAQUE EN EL PUERTO. |
| 5. SHUT OFF ENGINE. | 5. COUPER LE MOTEUR. | 5. APAGUE EL MOTOR. |



Exploded Assembly



| ITEM | QTY. | PART NO. | DESCRIPTION |
|------|------|------------|-----------------------------|
| 1 | 1 | 00880 | SERIAL CODE |
| 2 | 1 | R206015-EZ | EZ PORT & STOW |
| 3 | 1 | 900225 | ROLLER ADJ. INSTRUCTIONS |
| 4 | 20 | 80514SS | 5/16-18 X 1 1/4" TRUSS HEAD |
| 5 | 2 | 80574SS | 5/16-18 X 3/4 TRUSS HD |
| 6 | 4 | 80575SS | 5/16 X 3/4 TRUSS HEAD |
| 7 | 2 | S20615 | INSERT, FILLER INTEGRATED |
| 8 | 1 | S22015 | LID, STORAGE COMPARTMENT |
| 9 | 1 | S22016 | STORAGE BOX |
| 10 | 1 | S22019 | STORAGE BOX LID |
| 11 | 1 | S22020 | D-RING CLEAT |
| 12 | 1 | S22021 | ANGLE, LATCH AND STRUT |
| 13 | 5 | S25012 | 12" KEEL ROLLER ASSEMBLY |
| 14 | 16 | S32050 | BLACK PE SPACER |
| 15 | 6 | S40012 | 10-24 X 1/2" SS SCREW |

Storage Area

Your EZ Port & Stow has a locking storage compartment. To lock or unlock your storage compartment, insert the key into the lock and turn. To open the lid, lift the latch handle and turn 90°. Pull up to open lid. Gas shocks will assist lifting the lid and hold the lid open. To close lid grasp the latch handle and push down. Turn the latch 90° to engage and push latch down.

NOTE: The lid is heavy and should only be closed and opened by adults. Close the storage lid carefully and make certain that human limbs (fingers, hands, arms, toes, feet and legs) and all other objects and debris are clear of the lid.

A storage box is supplied with your EZ Port & Stow, and can be used to store ski rope, tools, PWC cover, etc.

The locking storage compartment has a drain in the center of the bottom. Make sure to keep this area clear of debris and obstructions to allow water to drain- (Figure 10).

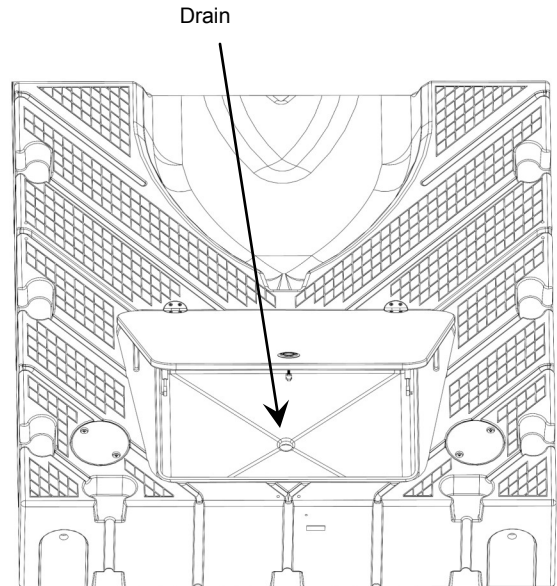
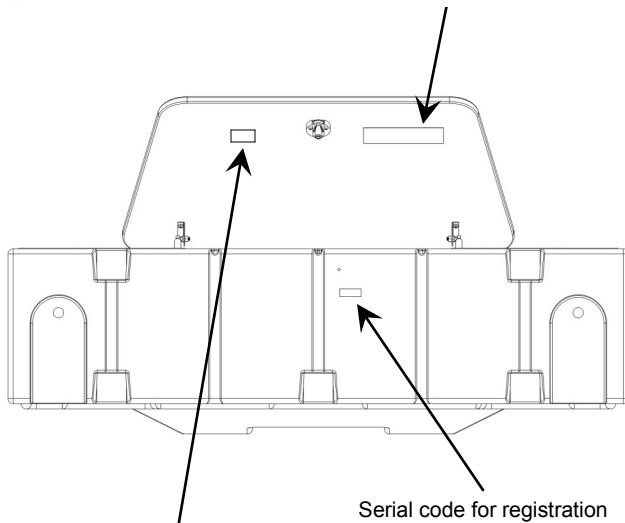


Figure 10

⚠ CAUTION!



Crush Hazard
Close Lid Carefully and Keep Fingers Clear

⚠ PRECAUCIÓN!



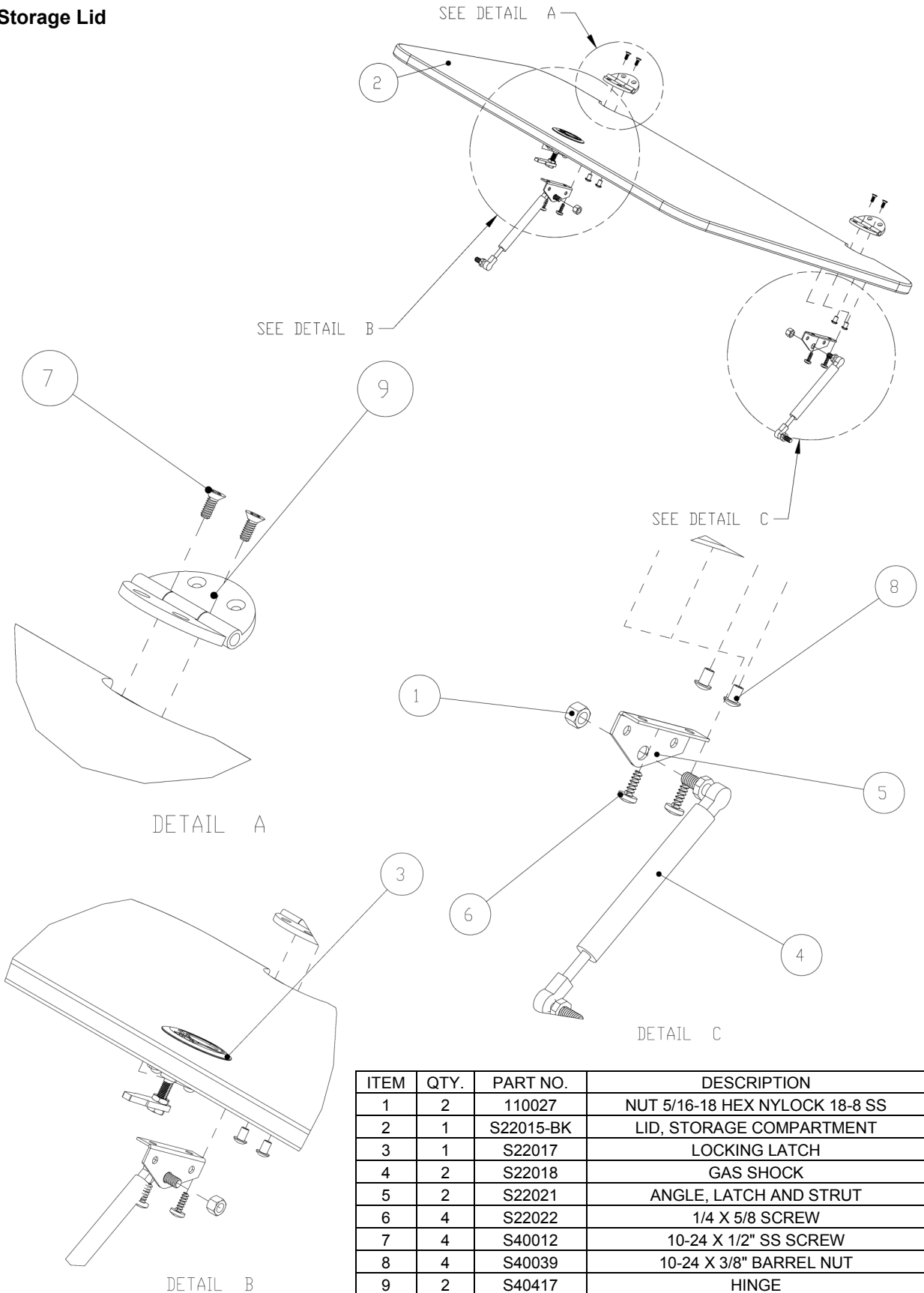
Riesgo De Aplastamiento
Cierre La Tapa Con Cuidado Y Retire Los Dedos

⚠ ATTENTION!



Danger D'écrasement
Fermez le couvercle avec précaution et faites
attention à vos doigts

Storage Lid



| ITEM | QTY. | PART NO. | DESCRIPTION |
|------|------|-----------|--------------------------------|
| 1 | 2 | 110027 | NUT 5/16-18 HEX NYLOCK 18-8 SS |
| 2 | 1 | S22015-BK | LID, STORAGE COMPARTMENT |
| 3 | 1 | S22017 | LOCKING LATCH |
| 4 | 2 | S22018 | GAS SHOCK |
| 5 | 2 | S22021 | ANGLE, LATCH AND STRUT |
| 6 | 4 | S22022 | 1/4 X 5/8 SCREW |
| 7 | 4 | S40012 | 10-24 X 1/2" SS SCREW |
| 8 | 4 | S40039 | 10-24 X 3/8" BARREL NUT |
| 9 | 2 | S40417 | HINGE |

Limited Warranty:

Floatation (8 years) – EZ Port & Stows are warranted against defects in material and workmanship for a period of eight (8) years from the date of purchase. Hardware and Accessories (1 Year) – Hardware and accessories are warranted against defects in material and workmanship for a period of one (1) year from the date of purchase.

The Limited Warranties specifically cover cracks, breakage and leaks caused by defects in the manufacturing process, and material deterioration due to ultraviolet ray exposure. The Limited Warranties specifically do not cover damages to EZ Port & Stow products caused by: improper installation; use inconsistent with EZ Port & Stow instructions, and product specifications; vandalism, severe weather and natural disaster; impact by watercraft, ice, falling trees, floating debris, and other foreign objects; unauthorized product modification and attachment and improper repair.

EZ Dock's exclusive obligation is to repair or replace defective ports at EZ Dock's option. "Repair" may be limited to providing a repair kit. Shipping and installation costs related to repaired and replaced product shall be at the buyer's expense. Repaired or replaced products are warranted only for the balance of the original limited warranty.

Warranty Activation and Claim Process – In order to activate the Limited Warranties, the buyer must properly register the purchase of EZ Port & Stows within thirty (30) days of purchase via the registration methods of mail, web or fax. Warranty Claims for properly registered products must be submitted in writing to EZ Dock within the warranty periods set out above. Warranty Claims must identify the subject product(s) and include the date of purchase, description of the claimed defect, and documents evidencing the sale and purchase of the product.

It is important that you complete the product registration card and mail it in for your warranty within 30 days of purchase. You can also register your product online at www.ez-dock.com.

THE FOREGOING WARRANTIES ARE EXCLUSIVE AND ARE IN LIEU OF ALL OTHER WARRANTIES, EXPRESS OR IMPLIED, INCLUDING, WITHOUT LIMITATION, ANY WARRANTY OF MERCHANTABILITY OR FITNESS FOR A PARTICULAR PURPOSE OR ANY OTHER IMPLIED WARRANTIES BY COURSE OF DEALING OR TRADE USAGE. THE FOREGOING WARRANTIES SHALL CONSTITUTE THE SOLE REMEDIES OF THE PURCHASER AND THE SOLE LIABILITY OF EZ DOCK FOR BREACH OF WARRANTY, AND EZ DOCK SHALL NOT BE LIABLE UNDER ANY CIRCUMSTANCES FOR ANY CONSEQUENTIAL, SPECIAL, INCIDENTAL, OR INDIRECT DAMAGES. ORAL OR OTHER WRITTEN STATEMENTS MADE OUTSIDE THIS DOCUMENT DO NOT CONSTITUTE WARRANTIES AND ARE NOT PART OF THESE LIMITED WARRANTIES.

Customer Service Assistance:

When calling for service assistance, please know the purchase date, model and/or serial code of your EZ Port & Stow. You also need your serial code for product registration. This information will help us to better respond to your request. If you need replacement parts, contact your dealer to obtain only genuine parts. These parts will fit right and work correctly because they are made with the same precision used to build your EZ Port & Stow. To locate replacement parts in your area, call 1-800-654-8168 (US and Canada), 1-417-235-2223 (Int'l), or +(46) 70 525 8588 (Europe). These numbers will put you in contact with your nearest distributor/dealer. You may also locate your nearest distributor or dealer by logging onto the web at www.ez-dock.com.

EZ Dock distributors and dealers can provide assistance with:

- features and specifications of EZ Dock's full line of dock products
- installation information
- use and maintenance procedures
- accessory and repair part sales
- referrals to local dealers

Maintaining your EZ Port & Stow

Care and Maintenance

Cleaning: Your new EZ Port & Stow can be easily cleaned using a brush, mild cleaning agent, and water. For stubborn stains, use a diluted bleach solution. A power washer can be used when convenient. Algae growth at the waterline on the EZ Port & Stow is normal and will not harm the port.

Ice: The EZ Port & Stow floats high enough so that normal ice pressure will not harm the product. However, if the shoreline area has ice pressure pushes, wind blown ice, or other ice flows, the port needs to be removed or disconnected from the moorings. In these circumstances, pipes or piles need to be removed so they will not be bent by the ice pressure.

Removal: If the EZ Port & Stow is removed at anytime for storage, the port should not be dragged over rough gravel or other sharp objects. The EZ Port & Stow may be stored outside without any special care when stored on edge or with the roller-side facing up.

The first dock of its kind...The last dock you'll ever need®.
www.ez-dock.com



©2007 EZ Dock, Inc. EZ Dock is a member of the PlayPower family of companies, which also includes Miracle Recreation Equipment company, PlayPower LT Farmington, Inc., SoftPlay, L.L.C., HAGS, Aqua Recreation, RSS, Records, and SMP.