

EZ Port MAX[®]

Modular • Adaptable • eXpandable

EZ Port MAX[®]

Owner's Manual and Installation Instructions for EZ Dock's EZ Port MAX & EZ Port MAX2 with Easy-Lift Entry

Models 206030PW-, 206031PW-**, 206032PW-**, 206034PW-**, 206035PW-**, 206033PW-**, 206033EX-**, 206025BS-** & 206027BS-****

** denotes color options

EZ=Beige
GR=Gray

For questions about features, operation/performance, parts, accessories or service, call your local dealer.

Additional information regarding EZ Dock products can be found online at www.ez-dock.com



The first dock of its kind...The last dock you will ever need[®].

Table of Contents

General Information and Installation Overview.....	3
EZ Port MAX Specifications.....	4
EZ Port MAX Product Line.....	4
Site Conditions and Usage.....	9
Model/Serial Number and Hydrophobic Vent.....	10
Customer Service Assistance.....	10
Maintaining your EZ Port MAX.....	10
1. Assembly of Bow Section onto EZ Port MAX.....	11
2. In-Line Configuration.....	12
3. Assembly of EZ Port MAX Easy-Lift Entry.....	14
4. EZ Port MAX Installation Methods.....	15
4A. EZ Dock Coupler Installation.....	15
4B. Installation of the EZ Port MAX with Integrated Pipe Brackets.....	17
4C. Installation of the EZ Port MAX to a Floating Dock using a Hinge Kit (100750).....	19
4D. Installation of the EZ Port MAX to a Floating Dock using a Hinge Kit (100751).....	20
5. Porting Instructions.....	22
6. Keel Roller Adjustments for the EZ Port MAX.....	22
7. Spoke Roller Adjustments for the EZ Port MAX.....	23
8. Accessories - Rubber Mats.....	24
Sample Configurations.....	25
Warranty.....	27

Dear EZ Dock Owner,

The EZ Dock team thanks you for your purchase. We know that you had other choices of watercraft ports, and we appreciate your decision to purchase an EZ Port MAX.

You will find it easy to maintain your EZ Port MAX and to add accessories and other components to your port in the future. The EZ Port MAX is modular, adaptable, expandable, and the most durable port on the market. We hope that you, your family and your friends will enjoy this port for many years to come.

Before you install your new EZ Port MAX, please take a moment to register your dock warranty. You can register online at www.ez-dock.com, by using the warranty registration card provided by your distributor/ dealer or by filling out the registration card located in the back of this owner's manual. To register you will need the serial number off the front of the EZ Port MAX. By registering your product, you will activate your product warranty and thereby protect your purchase against covered product defects. Please feel free to give your EZ Dock customer service department a call with any issues that you may have with your EZ Port MAX. You can reach our customer service department by dialing:

USA/Canada: 1-800-654-8168

Int'l: 1-417-235-2223

Europe: +46 (0) 380 47 300

GENERAL INFORMATION AND INSTALLATION OVERVIEW



GENERAL INFORMATION

The EZ Dock system and the EZ Port MAX is a uniquely simple, low-maintenance design that's versatile, safe, and durable. EZ Dock's patented one-piece, self-floating design is fast and easy to install. Sections come in several sizes with evenly spaced coupler, hardware, and anchor pockets.

Once assembled, this system is designed to minimize the amount of flex occurring from stress and loads on the system. The rubber connections will stretch to help the system, and its attachments, absorb shock and extreme pressures. Properly installed and maintained, this system will last for years of enjoyable use.

IMPORTANT! Assembly, Installation, Maintenance and Safety:

You should read these instructions thoroughly, before assembling and installing your EZ Port MAX. Please adhere to all recommendations and cautionary suggestions appearing in this manual and always follow the instructions precisely. Please save these instructions and refer to them as needed for future reference.

 DANGER	
	<p>Drowning Hazard</p> <p>Swimming under and/or attempting to breathe in cavities under EZ Dock docks and ports while performing in-water installation of docks, ports and couplers can result in accidental drowning and death.</p> <p>Do not attempt in-water installation without EZ Dock in-water coupler installation tools.</p>

ASSEMBLY OVERVIEW

- The layout should be planned before beginning to assemble the dock.
- Make sure the correct tools are available.
- The system may be assembled on the ground, on open water, or on a sufficiently thick ice sheet. To make assembly easier, attach pairs of the dock sections together before placing in the water.
- Verify that all dock sections and hardware are on site and ready for installation.

Recommendations:

Attach as much hardware to dock sections as possible before placing the sections in the water.

Whenever possible, connections should be made at the shoreline, and the dock should be pushed out into the water.

Tool Requirements

As with most assembly and installation projects, some tools are required to assemble and install your EZ Port MAX. You may not need every tool listed below for your particular installation, but the following tools are generally helpful in the installation process (for professional installation, call your local EZ Dock dealer):

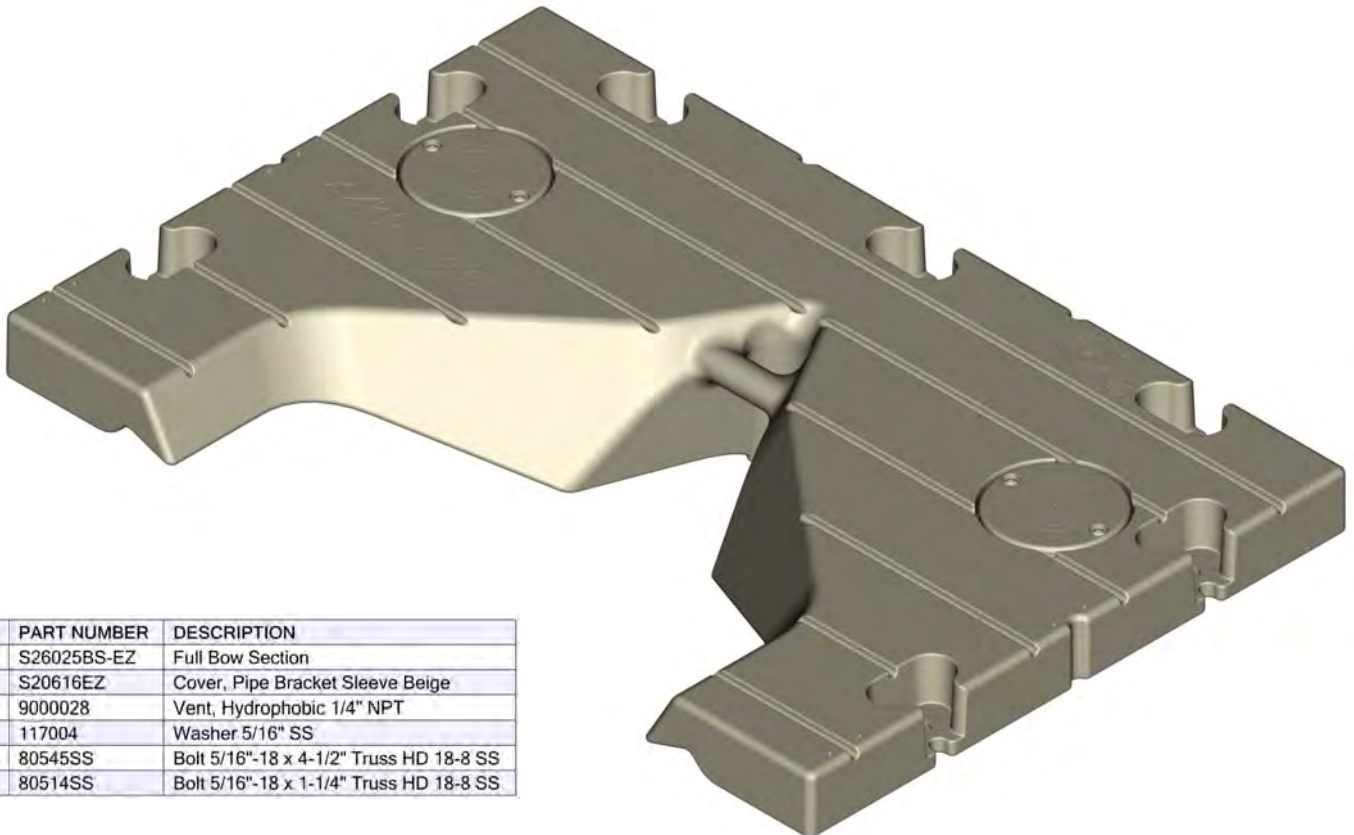
- EZ Dock in-water installation tool (9000010)(for EZ Dock mounting in-water assembly)
- Composite Coupler Installation Tool (900005)
- 1/2" drive ratchet
- Socket set (1/2", 9/16", 5/8", 11/16", 15/16" Hex Drive or 24mm—12 pt)
- Open-end, boxed-end wrench set (above mentioned sizes)
- Screwdrivers (#3 Phillips and standard)
- Pliers
- Adjustable wrenches
- Hammer (rubber mallet)
- Pry-bar (small and large)
- Rope (minimum 3/8" braided nylon)
- Power drill & bits
- Power or Hand Saw
- Utility knife
- Tape measure

EZ Port MAX Specifications

Model	Part Number	Length	Width	Height	Weight	Flotation Capacity
EZ Port MAX Full Bow Section	206025BS-**-**	39" (99.1 cm)	60" (152.4 cm)	10" (25.4 cm)	60 lbs. (27.2 kg)	N/A
EZ Port MAX Small Bow Section	206027BS-**-**	33" (83.8 cm)	10" (25.4 cm)	16" (40.6 cm)	12 lbs. (5.4 kg)	N/A
EZ Port MAX Entry	206030PW-**-**	149" (378.5 cm)	60" (152.4 cm)	11" (27.9 cm)	315 lbs. (142.9 kg)	1380 lbs. (626.0 kg)
EZ Port MAX Extension	206031PW-**-**	146" (370.8 cm)	60" (152.4 cm)	11" (27.9 cm)	328 lbs. (148.8 kg)	1400 lbs. (635.0 kg)
EZ Port MAX Integrated Bow	206032PW-**-**	149" (378.5 cm)	60" (152.4 cm)	15" (38.1 cm)	320 lbs. (145.1 kg)	1380 lbs. (626.0 kg)
EZ Port MAX Easy Lift Entry	206033EX-**-**	60" (152.4 cm)	42" (106.7 cm)	15" (38.1 cm)	95 lbs. (43.1 kg)	400 lbs. (181.4 kg)
EZ Port MAX2 w/ Full Bow & Easy Lift Entry	206034PW-**-**	188" (477.5 cm)	60" (152.4 cm)	15" (38.1 cm)	490 lbs. (222.3 kg)	1700 lbs. (771.1 kg)
EZ Port MAX2 w/ Small Bow & Easy Lift Entry	206035PW-**-**	188" (477.5 cm)	60" (152.4 cm)	15" (38.1 cm)	490 lbs. (222.3 kg)	1700 lbs. (771.1 kg)

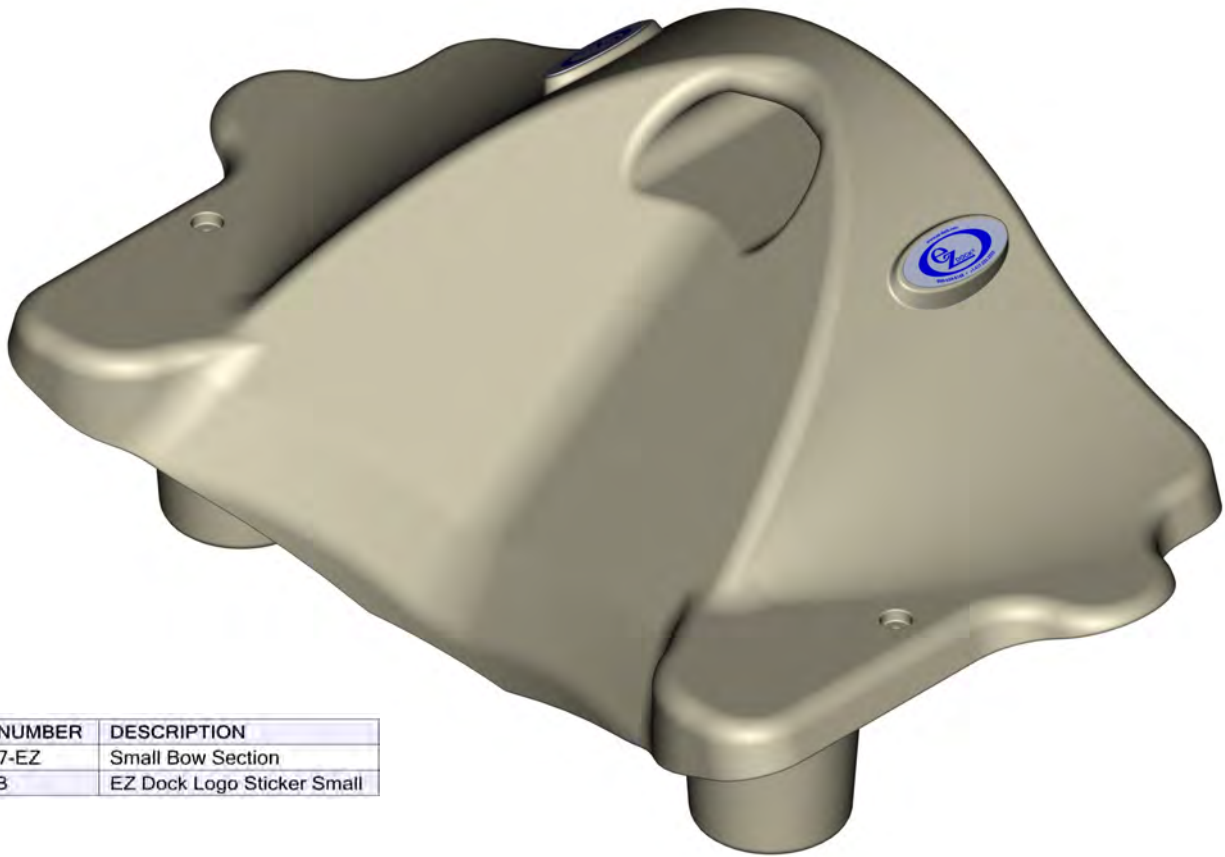
Note: Due to the rotomolding process, weights and dimensions may vary.

EZ Port MAX Full Bow Section - 206025BS-**-**



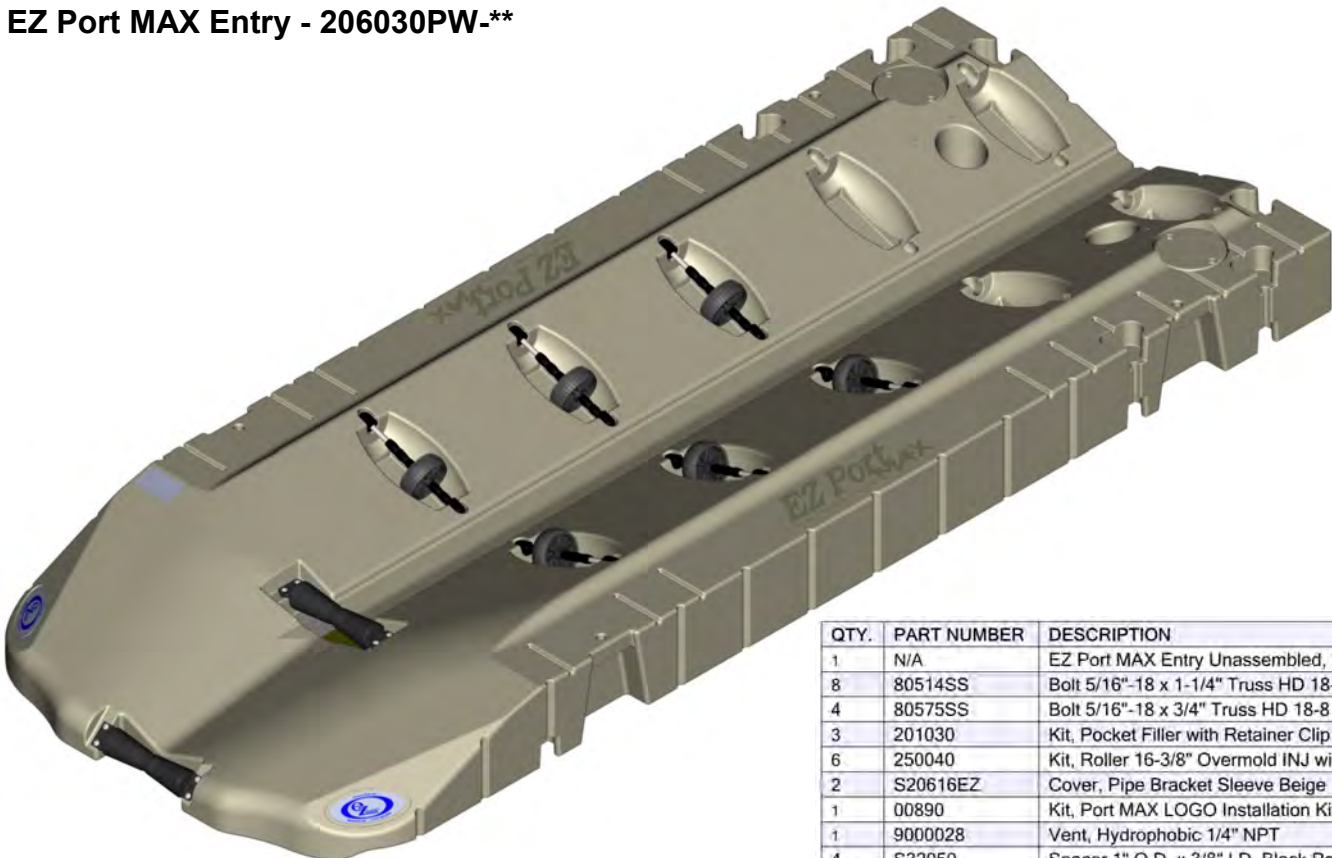
QTY.	PART NUMBER	DESCRIPTION
1	S26025BS-EZ	Full Bow Section
2	S20616EZ	Cover, Pipe Bracket Sleeve Beige
1	9000028	Vent, Hydrophobic 1/4" NPT
4	117004	Washer 5/16" SS
4	80545SS	Bolt 5/16"-18 x 4-1/2" Truss HD 18-8 SS
4	80514SS	Bolt 5/16"-18 x 1-1/4" Truss HD 18-8 SS

EZ Port MAX Small Bow Section - 206027BS-**



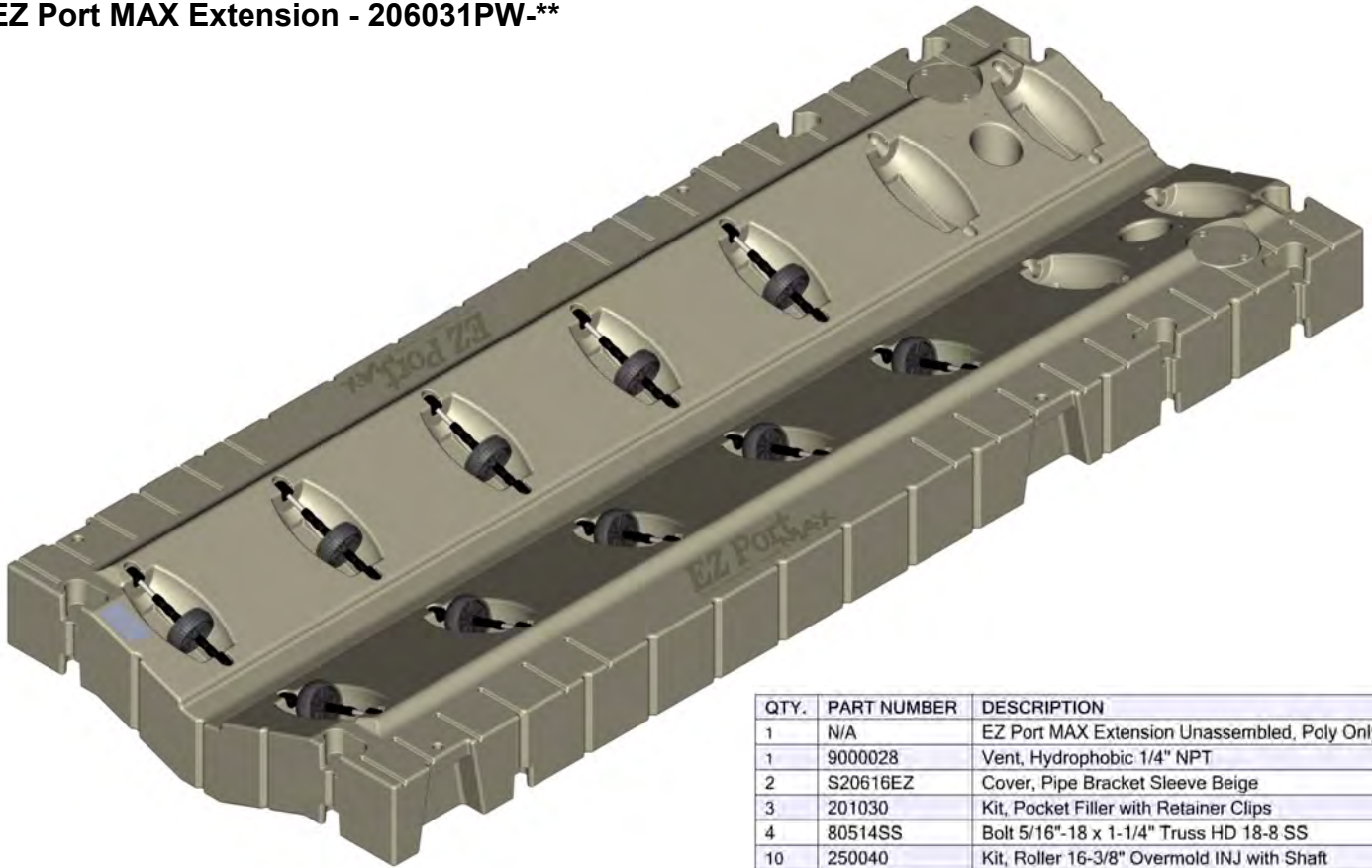
QTY.	PART NUMBER	DESCRIPTION
1	S26027-EZ	Small Bow Section
2	00877B	EZ Dock Logo Sticker Small

EZ Port MAX Entry - 206030PW-**



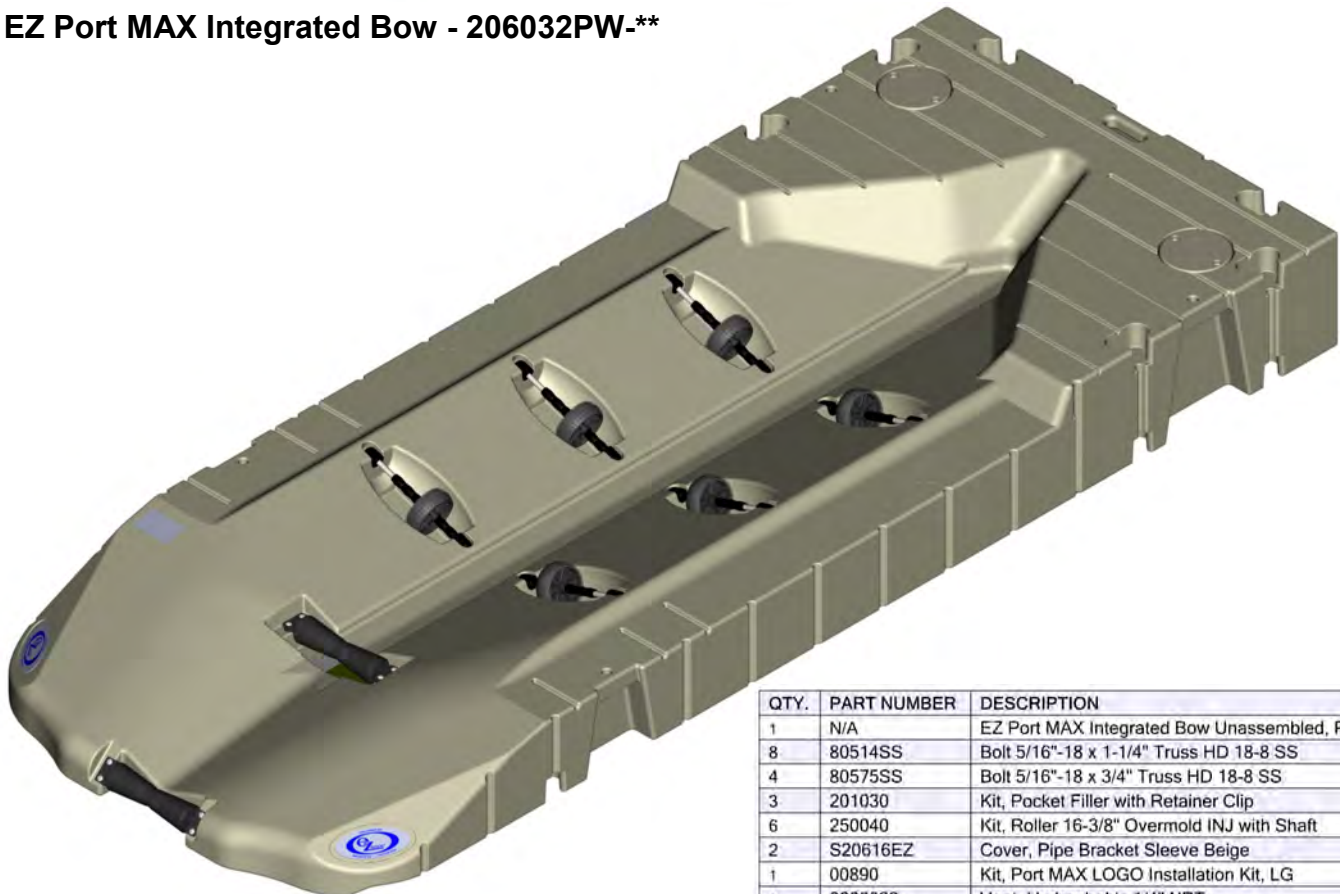
QTY.	PART NUMBER	DESCRIPTION
1	N/A	EZ Port MAX Entry Unassembled, Poly Only
8	80514SS	Bolt 5/16"-18 x 1-1/4" Truss HD 18-8 SS
4	80575SS	Bolt 5/16"-18 x 3/4" Truss HD 18-8 SS
3	201030	Kit, Pocket Filler with Retainer Clip
6	250040	Kit, Roller 16-3/8" Overmold INJ with Shaft
2	S20616EZ	Cover, Pipe Bracket Sleeve Beige
1	00890	Kit, Port MAX LOGO Installation Kit, LG
1	9000028	Vent, Hydrophobic 1/4" NPT
4	S32050	Spacer 1" O.D. x 3/8" I.D. Black Polyethylene
2	S25050-BK	Keel Roller, 12" Keel ASM INJ TPU Black

EZ Port MAX Extension - 206031PW-**



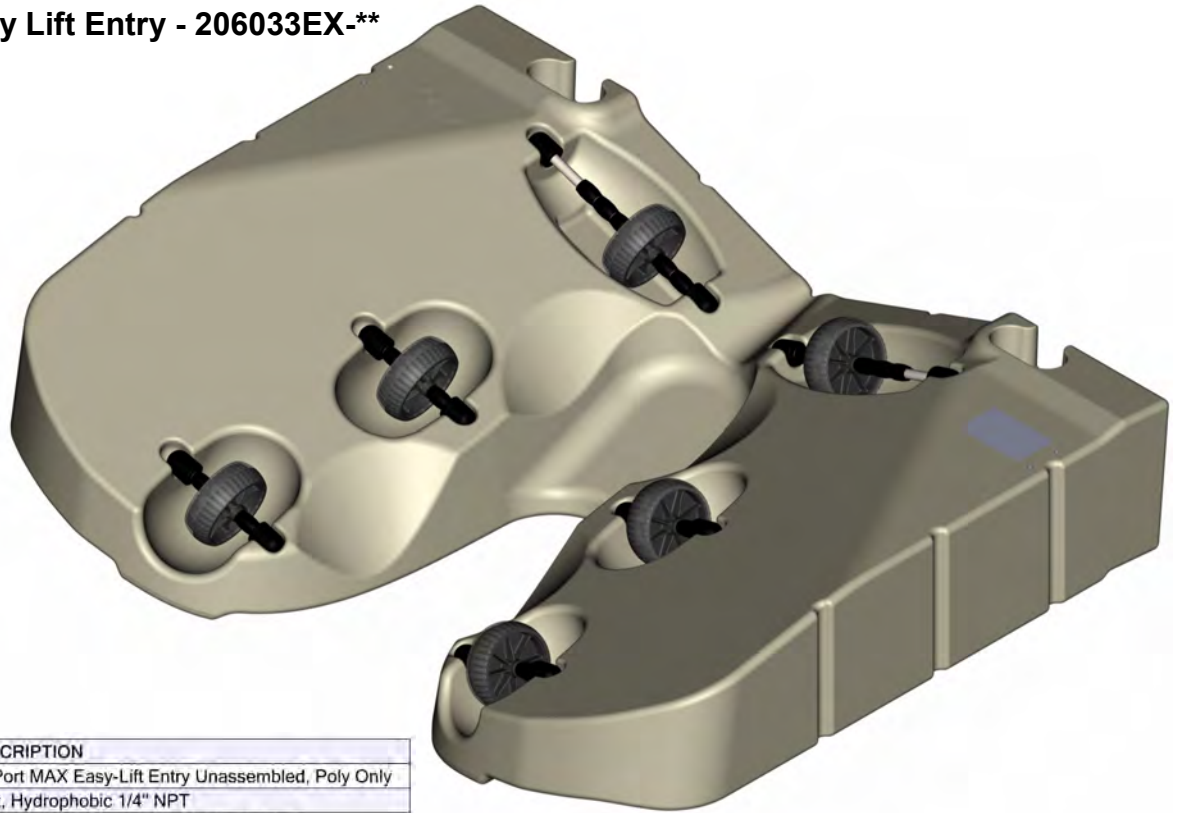
QTY.	PART NUMBER	DESCRIPTION
1	N/A	EZ Port MAX Extension Unassembled, Poly Only
1	9000028	Vent, Hydrophobic 1/4" NPT
2	S20616EZ	Cover, Pipe Bracket Sleeve Beige
3	201030	Kit, Pocket Filler with Retainer Clips
4	80514SS	Bolt 5/16"-18 x 1-1/4" Truss HD 18-8 SS
10	250040	Kit, Roller 16-3/8" Overmold INJ with Shaft

EZ Port MAX Integrated Bow - 206032PW-**



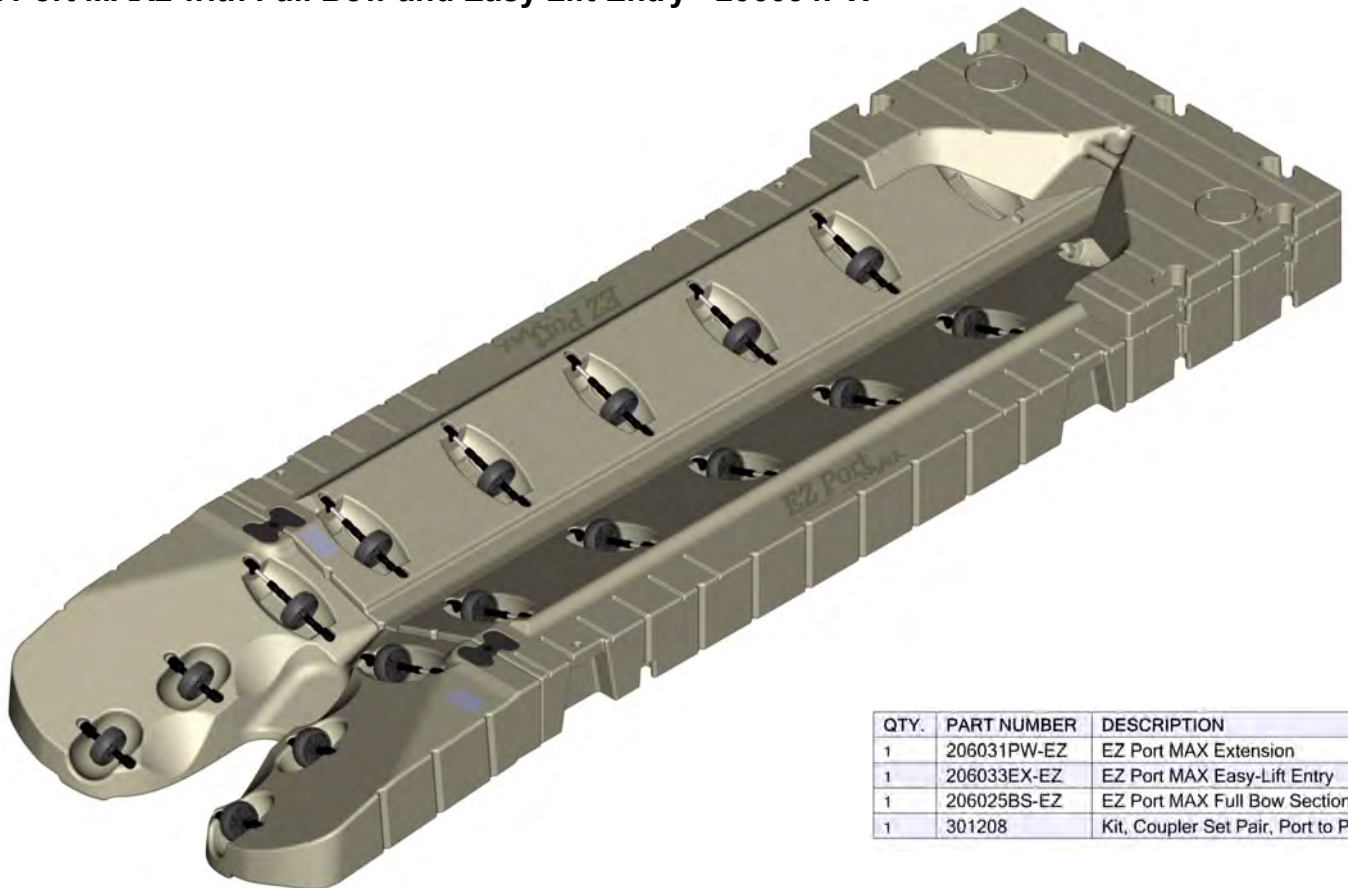
QTY.	PART NUMBER	DESCRIPTION
1	N/A	EZ Port MAX Integrated Bow Unassembled, Poly Only
8	80514SS	Bolt 5/16"-18 x 1-1/4" Truss HD 18-8 SS
4	80575SS	Bolt 5/16"-18 x 3/4" Truss HD 18-8 SS
3	201030	Kit, Pocket Filler with Retainer Clip
6	250040	Kit, Roller 16-3/8" Overmold INJ with Shaft
2	S20616EZ	Cover, Pipe Bracket Sleeve Beige
1	00890	Kit, Port MAX LOGO Installation Kit, LG
1	9000028	Vent, Hydrophobic 1/4" NPT
4	S32050	Spacer 1" O.D. x 3/8" I.D. Black Polyethylene
2	S25050-BK	Keel Roller, 12" Keel ASM INJ TPU Black

EZ Port MAX Easy Lift Entry - 206033EX-**



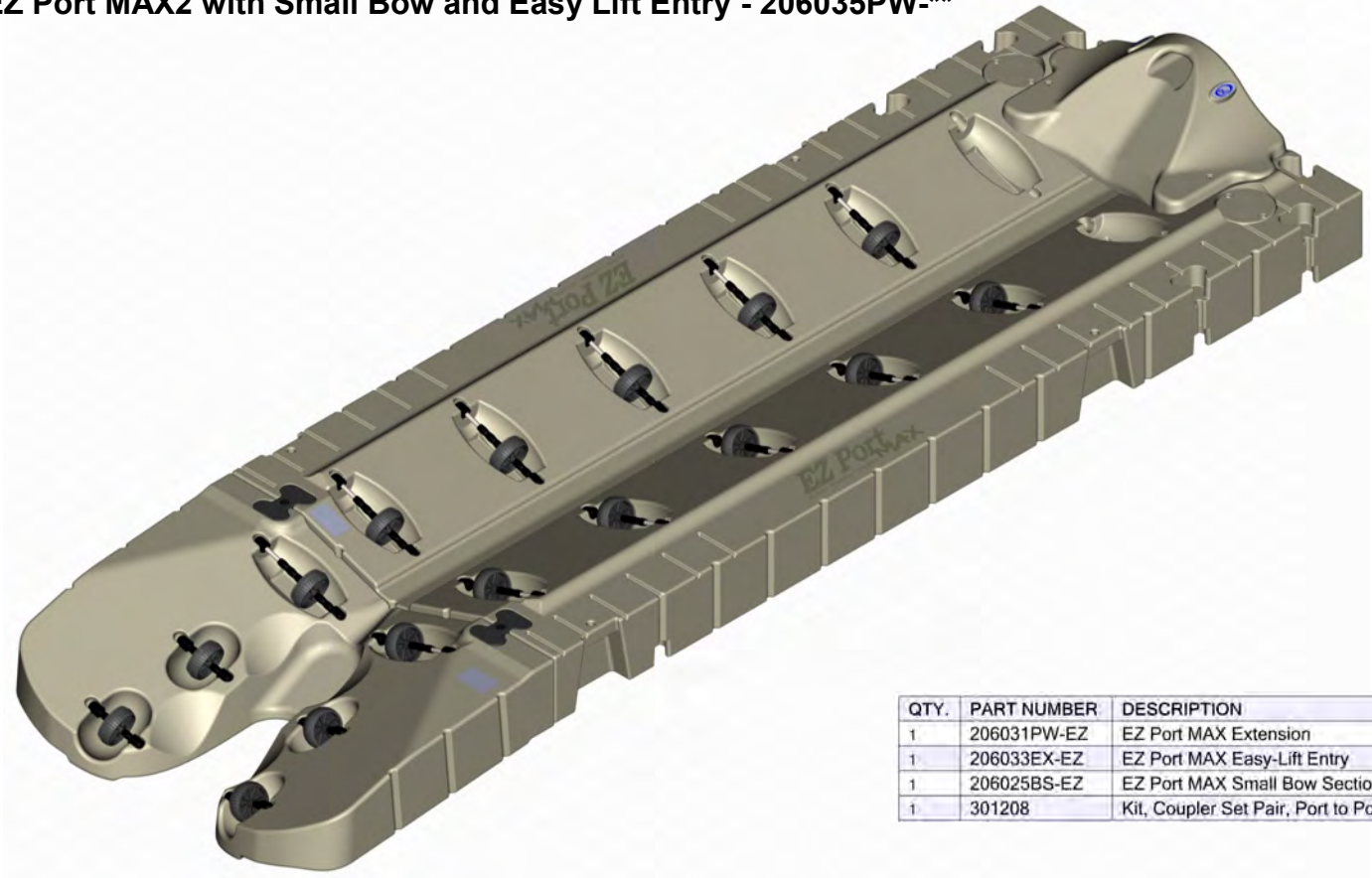
QTY.	PART NUMBER	DESCRIPTION
1	N/A	EZ Port MAX Easy-Lift Entry Unassembled, Poly Only
1	9000028	Vent, Hydrophobic 1/4" NPT
2	250040	Kit, Roller 16-3/8" Overmold INJ with Shaft
4	250041	Kit, Roller 9-7/16" Overmold INJ with Shaft

EZ Port MAX2 with Full Bow and Easy Lift Entry - 206034PW-**



QTY.	PART NUMBER	DESCRIPTION
1	206031PW-EZ	EZ Port MAX Extension
1	206033EX-EZ	EZ Port MAX Easy-Lift Entry
1	206025BS-EZ	EZ Port MAX Full Bow Section
1	301208	Kit, Coupler Set Pair, Port to Port

EZ Port MAX2 with Small Bow and Easy Lift Entry - 206035PW-**



QTY.	PART NUMBER	DESCRIPTION
1	206031PW-EZ	EZ Port MAX Extension
1	206033EX-EZ	EZ Port MAX Easy-Lift Entry
1	206025BS-EZ	EZ Port MAX Small Bow Section
1	301208	Kit, Coupler Set Pair, Port to Port

Selecting your Installation/Attachment Method

The EZ Port MAX must float freely on the water surface, moving up and down with any changes in water level. To accomplish this there are a number of anchoring/installation methods available for use with the EZ Port MAX.

Site Conditions to be Considered

Every EZ Dock EZ Port MAX installation is site specific and needs to be configured specifically for the end user's intended application. Some factors to take into consideration when determining the components necessary for a proper installation include; intended usage, water conditions, soil/bed conditions, and climate conditions. There are a few simple rules to follow when determining layout configuration.

Be certain that your installation configuration is designed to accommodate the daily intended use of your EZ Port MAX. Please take into account the following:

- Commercial application needs
- Public access requirements (ADA, CORP, or other)
- Private docking needs
- Scale of operation and use (size of PWCs, number of PWCs, number of people, etc.)
- Other special considerations affecting your daily use

Be aware of the unique characteristics of the specific body of water and consider how such conditions will affect the installation. Take into account:

- Overall area of the body of water
- Water depth (at the shore and at the furthest point of the dock from shore)
- Normal and greatest wave action
- Water level fluctuation
- Fresh, brackish, or salt-water
- Normal and extraordinary ice thickness and movement
- Lake bed and soil conditions (sand, rock, mud, etc.)

Sites with severe wave conditions need to arrange docks so pylons are parallel to wave action and vents are facing against a dock face or towards the shore to minimize excess water collecting in docks.

Usage

Understand and consider installation/performance requirements then evaluate your ability to fulfill them.

- Determine whether your installation will be attended and inspected on a regular basis.
- Become acquainted with the normal movement associated with floating structures.
- Determine whether you are capable of performing your own installation, or whether it is best to hire a professional.

Once you have considered and worked out the issues above, the next step is to select the installation mounting method that is best for you. Since no two installations are ever exactly the same, each and every EZ Port MAX installation must be designed and configured for the specific and intended application.

- **Installation with an EZ Dock System (Section 4A):** When installing the EZ Port MAX on an EZ Dock system, simply use standard EZ Dock coupler sets to connect the EZ Port MAX to the EZ Dock. (refer to the installation instruction section 4A).
- **Installation with Pipes (Section 4B):** Anchoring the EZ Port MAX with pipes allows for stand alone installations. The integrated pipe brackets are utilized for these installations (refer to the installation instruction section 4B for stationary/fixed piers, docks bulkheads, seawalls, etc.).
- **Installation with other floating dock systems (Section 4C & 4D):** The EZ Port MAX can be attached to other floating docks with the floating dock adapter hinge kit (refer to the installation instruction section 4C when a Full Bow Section is used and section 4D when a Small Bow Section is used).

Model/Serial Number

You should register your EZ Dock product to ensure proper warranty coverage. The location of the serial number may be difficult or impossible to see once installed, so we suggest that you create a record of your serial numbers and corresponding dock sections to insure proper identification when filing a warranty claim. The serial numbers can be found on the vertical side wall on the logo end of the dock sections. See Figure 1.



Figure 1.

Hydrophobic Vent

Every EZ Port MAX section has a hydrophobic venting insert. This is located in one of the front hand hold areas (Figure 2). These vents are designed to reduce any amounts of water that may enter the dock but still allow the dock section to breathe with temperature variation. When possible these vents should be positioned towards shore and away from prevailing wind/current direction.

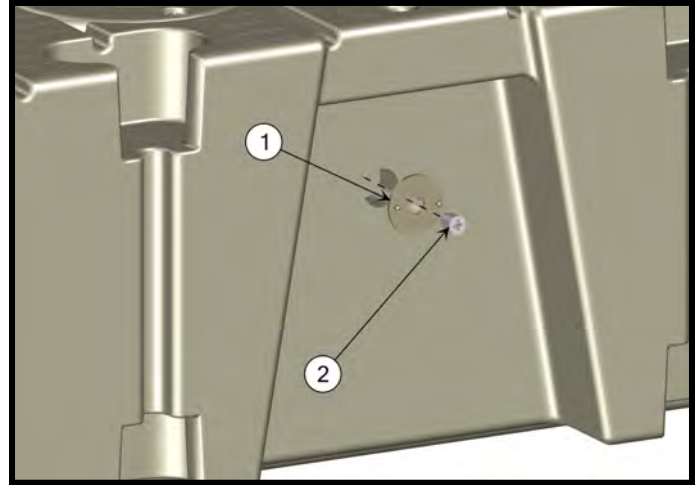


Figure 2.

ITEM	QTY.	PART NUMBER	DESCRIPTION
1	1	103565	Spinweld 1.9"-1/4" FPT Flush
2	1	9000028	Hydrophobic Vent 1/4" NPT

Customer Service Assistance:

When calling for service assistance, please know the purchase date, model and/or serial code of your EZ Port MAX. You will also need your serial number for product registration. This information will help us to better respond to your request. If you need replacement parts, contact your dealer to obtain only genuine parts. These parts will fit right and work correctly because they are made with the same precision used to build your EZ Port MAX. **To locate replacement parts in your area, call 1-800-654-8168 (US and Canada), 1-417-235-2223 (Africa, Asia or Central or South America), or +46 (0) 380 47 300 in Europe. French speaking residents in Quebec should call 1-800-654-8168. These numbers will put you in contact with your nearest distributor/dealer. You may also locate your nearest distributor or dealer by logging onto our website at www.ez-dock.com.**

EZ Dock distributors and dealers can provide assistance with:

- Features and specifications of EZ Dock's full line of products
- Installation information
- Use and maintenance procedures
- Accessory and repair part sales
- Referrals to local dealers

Maintaining your EZ Dock System

Care and Maintenance

Cleaning: Your new EZ Port MAX can be easily cleaned using a brush, mild cleaning agent, and water. For stubborn stains, use a diluted bleach solution. A power washer can be used when convenient. Algae growth at the waterline on the product is normal and will not harm the port.

Ice: The EZ Port MAX floats high enough so that normal ice pressure will not harm the product. However, if the shoreline area has ice pressure pushes, wind blown ice, or other ice flows, the dock needs to be removed or disconnected from the moorings. In these circumstances, pipes or piles should be removed to prevent bending due to ice pressure.

Removal: If the EZ Port MAX is removed at anytime for storage, it should not be dragged over rough gravel or other sharp objects. The EZ Port MAX may be stored outside without any special care when stored on edge or with the walking surface facing up.

1. Assembly of Bow Sections onto EZ Port MAX (206025BS-** & 206027BS-**)

There are two bow sections for the EZ Port MAX. These bow sections protect the PWC from going too far forward during loading and provide for PWC tie down. A bow section must be attached before installation and use of the EZ Port MAX for single/tandem PWC EZ Port MAX applications (using just the entry section 206030PW-**):

- The small bow section (Item 2) is an economical way to protect your PWC, (Figure 3). To install, the small bow section is inserted into the holes located near the front of the entry section. Push the small bow section down firmly into the holes and install two (2) bolts (Item 3). When the small bow section is fastened in this way, it will not require Item 3 or Item 4 (Figure 3).
- The full bow section (Item 2) must be used to attach the EZ Port MAX to new or existing EZ Dock floating docks and provides additional walking surface, (Figure 4). To install, place the full bow section onto the front of the entry section and align the front with the front of the entry. Install four (4) bolts and washers (Items 5 & 6) into the holes as indicated below and tighten.
- **For in-line EZ Port MAX applications - Please refer to page 12.**

Warning: A bow section must always be used!

Tools required:

- Phillips Screwdriver
- Ratchet and socket set or open-end, boxed-end wrench set
- Open-end, boxed-end wrench set

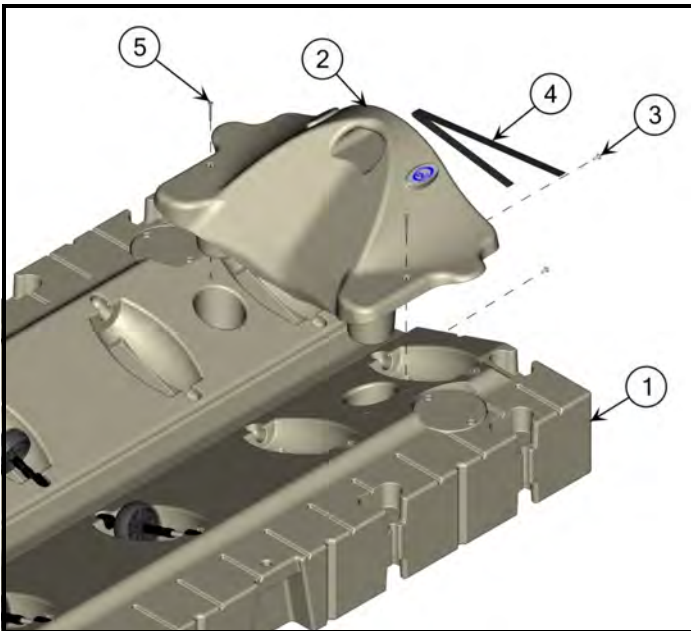


Figure 3.

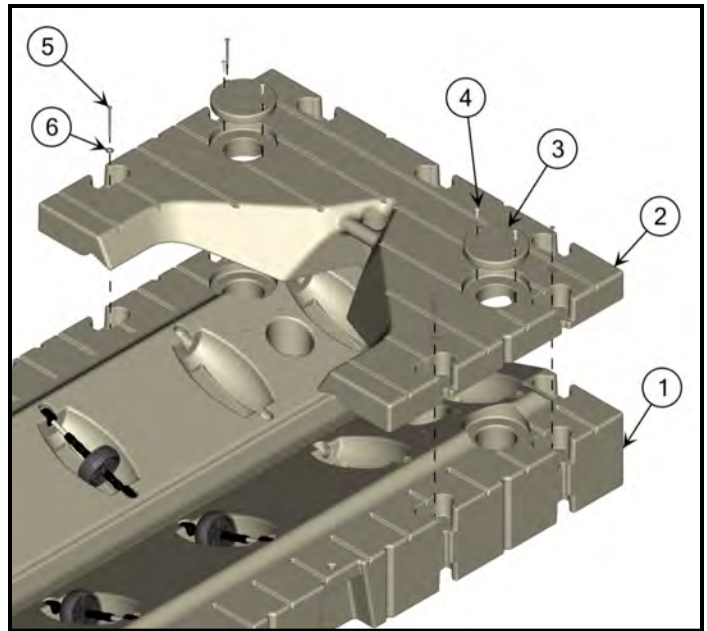


Figure 4.

ITEM	QTY.	PART NUMBER	DESCRIPTION
1	1	206031PW-EZ	EZ Port MAX Entry
2	1	S26027-EZ	Bow Section, Small for Port MAX
3	2	80575SS	Bolt 5/16"-18 x 3/4" Truss HD 18-8 SS
4	1	S22025	Tether Cord, 36" x 1" Nylon for Port MAX
5	2	80524SS	Bolt 5/16"-18 x 2-1/4" Truss HD 18-8 SS

ITEM	QTY.	PART NUMBER	DESCRIPTION
1	1	206031PW-EZ	EZ Port MAX Entry
2	1	S26025BS-EZ	Bow Section, Full for Port MAX
3	2	S20616EZ	Cover, Pipe Bracket Sleeve
4	4	80514SS	Bolt 5/16"-18 x 1-1/4" Truss HD 18-8 SS
5	4	80545SS	Bolt 5/16"-18 x 4-1/2" HD 18-8 SS
6	4	117005	Washer 3/8" x 1" O.D. Flat 18-8 SS

2. In-Line Configuration

Step 1: Assembly (Figure 5) - Align the EZ Port MAX Entry section (Item 1) with the EZ Port MAX Extension (Item 2) and install two (2) coupler sets (Detail A) provided in the Port to Port Coupler Kit (Item 3).

Tools required:

- Tool, Composite Coupler Installation (900005)
- EZ Dock in-water installation tool (900010)
- Hammer (rubber mallet or dead blow)
- Screwdrivers (Phillips and standard)
- Pry-bar (small and large)
- Ratchet and socket set
- 15/16" or 24mm socket

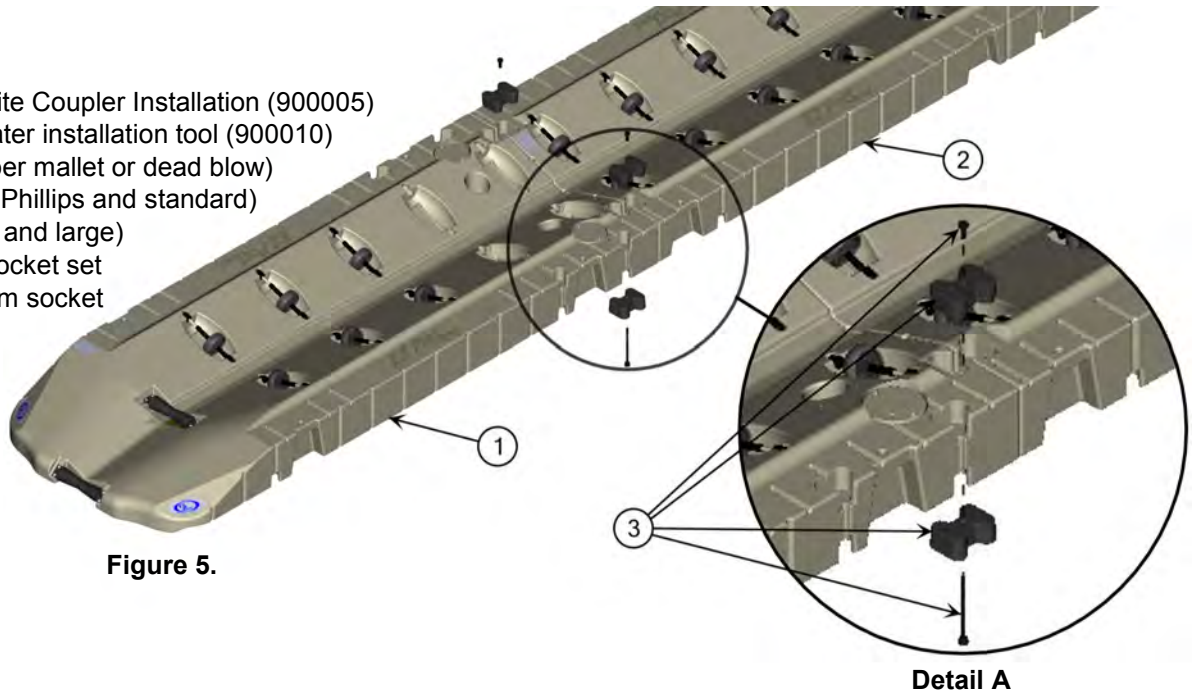
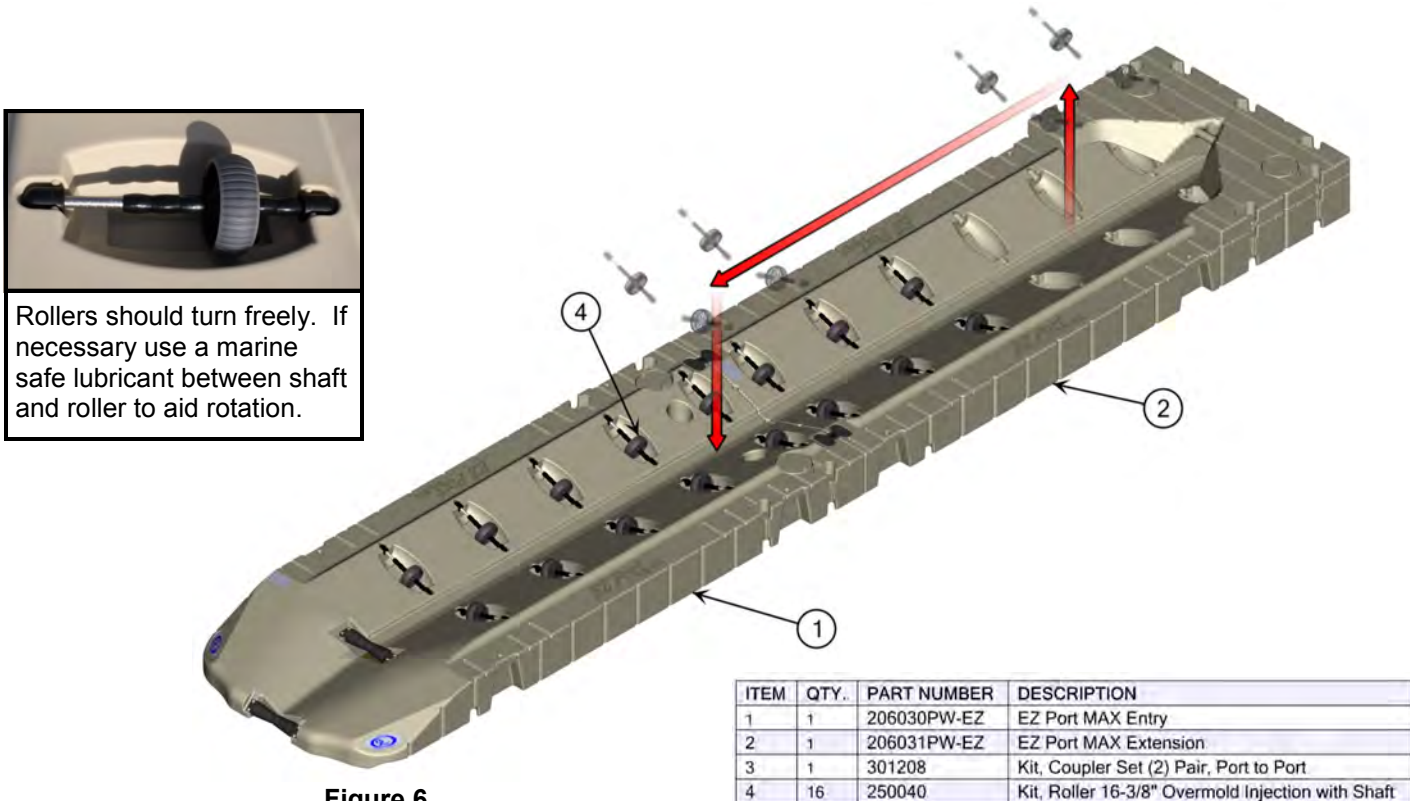


Figure 5.

Step 2: Roller Relocation (Figure 6) - The EZ Port MAX Extension (Item 2) is shipped with twelve (12) rollers (Item 4). Four (4) rollers at the front of the extension must be removed and reinstalled at the front of the EZ Port MAX entry section (Item 1). The rollers are easily pried out of their locations with the help of a large screw driver or pry bar. Pry out the end of the roller shaft that is on the high side of the port. After the shaft pops out of the high side pocket, the roller shaft may be slid out of the lower shaft pocket. Move these four (4) rollers to the front of the EZ Port MAX entry section. To re-install the rollers, slide the roller shaft into the lower shaft pocket. Then, with the roller shaft aligned over the top shaft pocket, drive it into place by a firm blow with a rubber mallet or hammer.



Rollers should turn freely. If necessary use a marine safe lubricant between shaft and roller to aid rotation.

Figure 6.

ITEM	QTY.	PART NUMBER	DESCRIPTION
1	1	206030PW-EZ	EZ Port MAX Entry
2	1	206031PW-EZ	EZ Port MAX Extension
3	1	301208	Kit, Coupler Set (2) Pair, Port to Port
4	16	250040	Kit, Roller 16-3/8" Overmold Injection with Shaft

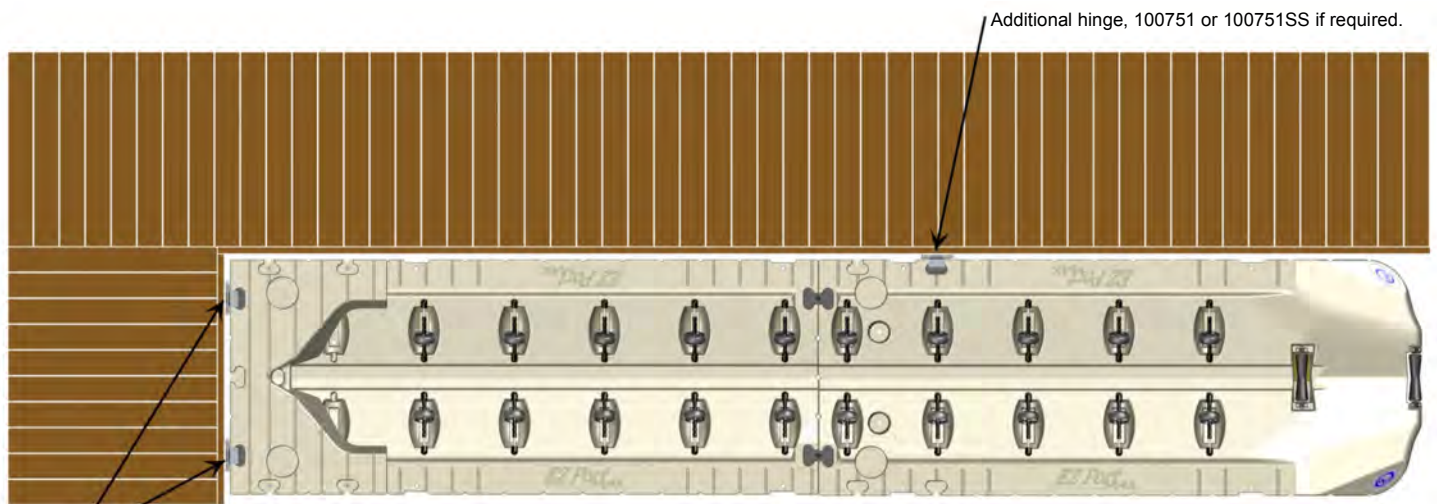
2. In-Line Configuration (continued)

Step 3: Assemble a Full Bow Section at the front of the EZ Port MAX Extension. (See page 11, Figure 4 for Full Bow Section assembly instructions).

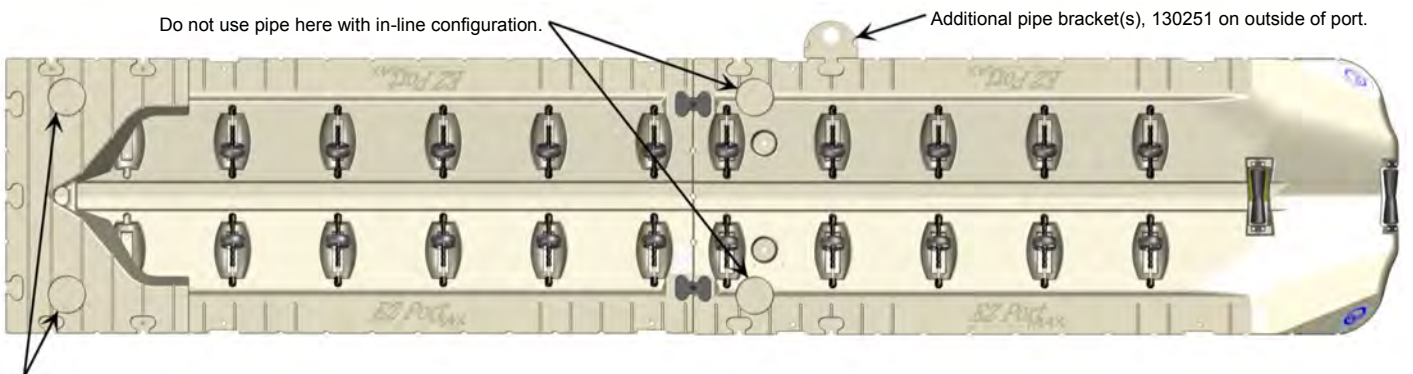
Step 4: The small bow section (206025BS-**) is used as a safety bulkhead and barrier between PWC's. For an in-line installation the small bow section is installed between the ports and is used as a removable stop between the PWC's (refer to Page 11, Figure 3). The small bow section can either be fixed in place for single port options or tethered using a nylon tether (Item 4) and two (2) bolts (Item 3). When used on an in-line port application Item 3 and Item 4 are required and the two (2) bolts (Item 5) are omitted.



Step 5: Installation - For Installation/Attachment of the assembled in-line EZ Port MAX Entry + Extension please see below and refer to the Installation/Attachment Section, pages 11 - 20.



Hinge kit (see Section 4C and 4D) used to anchor to a floating dock. Add hinge kit to entry section if additional stability is required.



When anchoring the Port MAX in the in-line configuration with pipe (Section 4B), only use the integrated pipe bracket locations at the front of the EZ Port Extension. If additional stability is required, a pipe bracket(s) may be added to the outside of the entry section.

3. Assembly of EZ Port MAX Easy-Lift Entry - 206033EX-**

Align the EZ Port MAX Easy-Lift Entry (Item 2) to an EZ Dock Port MAX Extension (Item 1) and couple together using two (2) EZ Dock Port to Port Coupler Kits (Item 3).

Note: The EZ Port MAX Extension and EZ Port MAX Easy-Lift Entry must be sitting level on the water and at the same elevation for the coupler to properly seat into the bottom pocket. This may require a counter balance weight toward the entry end of the EZ Port MAX Easy-Lift Entry to offset the weight of the installer who is standing at the seam between the EZ Port MAX Extension and the EZ Port MAX Easy-Lift Entry.

Warning: Only flat surfaces are designated walking surfaces. All angled or non-textured surfaces on the EZ Port MAX Easy-Lift Entry are not walking surfaces!

Note: For detailed coupler (301100) installation instructions, please see page 16.

Tools required:

- EZ Dock In-Water Installation Tool (900010)
- Ratchet and socket set
- Composite Coupler Installation Tool (900005)
- Screwdrivers (Phillips and standard)
- 15/16" or 24mm socket
- Pry-bar (small and large)
- Hammer

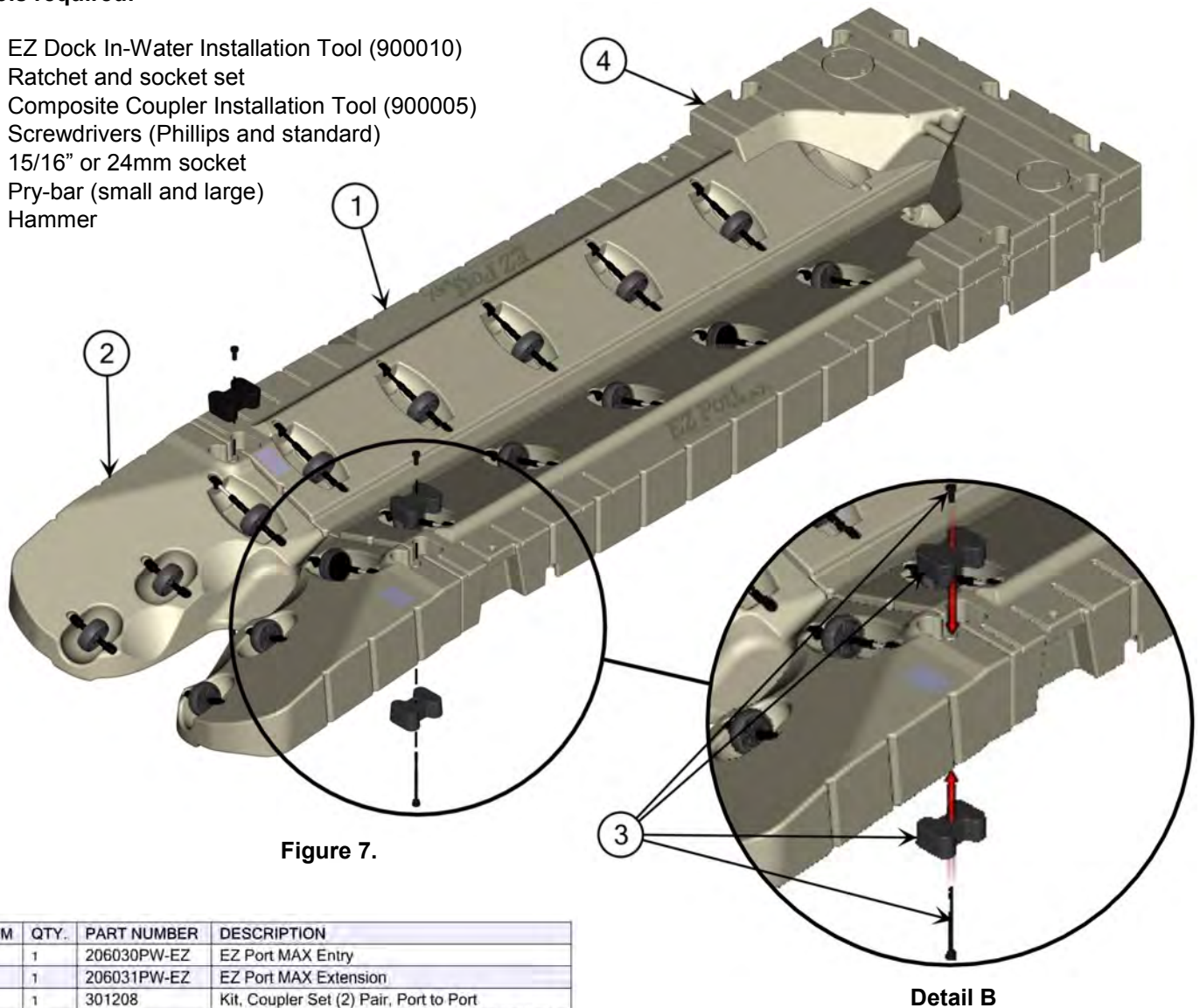


Figure 7.

Detail B

ITEM	QTY.	PART NUMBER	DESCRIPTION
1	1	206030PW-EZ	EZ Port MAX Entry
2	1	206031PW-EZ	EZ Port MAX Extension
3	1	301208	Kit, Coupler Set (2) Pair, Port to Port
4	16	250040	Kit, Roller 16-3/8" Overmold Injection with Shaft

NOTE: Testing has also shown that some watercrafts and user preference resulted to ballasting the entry (206033EX-**) with water (see EZ Launch Owners Manual). This is done by simply filling the entry with water to the desire level. This allows the watercraft an easier entry and a more stable platform.

4. EZ Port MAX Installation Methods

4A. EZ Dock Coupler Installation (301100)

The EZ Port MAX mounts to existing or new EZ Dock installations using standard EZ Dock couplers. In order to attach the EZ Port MAX to an EZ Dock system, the Full Bow section (206025BS-**) or the EZ Port MAX Integrated Bow Section (206032PW-**) **MUST** be used (Figure 8).

Note: For detailed coupler (301100) installation instructions, please see page 16.

Tools required:

- In-Water Installation Tool (900010)
- Ratchet and socket set
- Composite Coupler Installation Tool (900005)
- Screwdrivers (Phillips and standard)
- 15/16" or 24mm socket
- Pry-bar (small and large)
- Hammer (rubber mallet)

Helpful Hint: To make assembly and disassembling easier, rub a marina safe lubricant on the coupler rods.

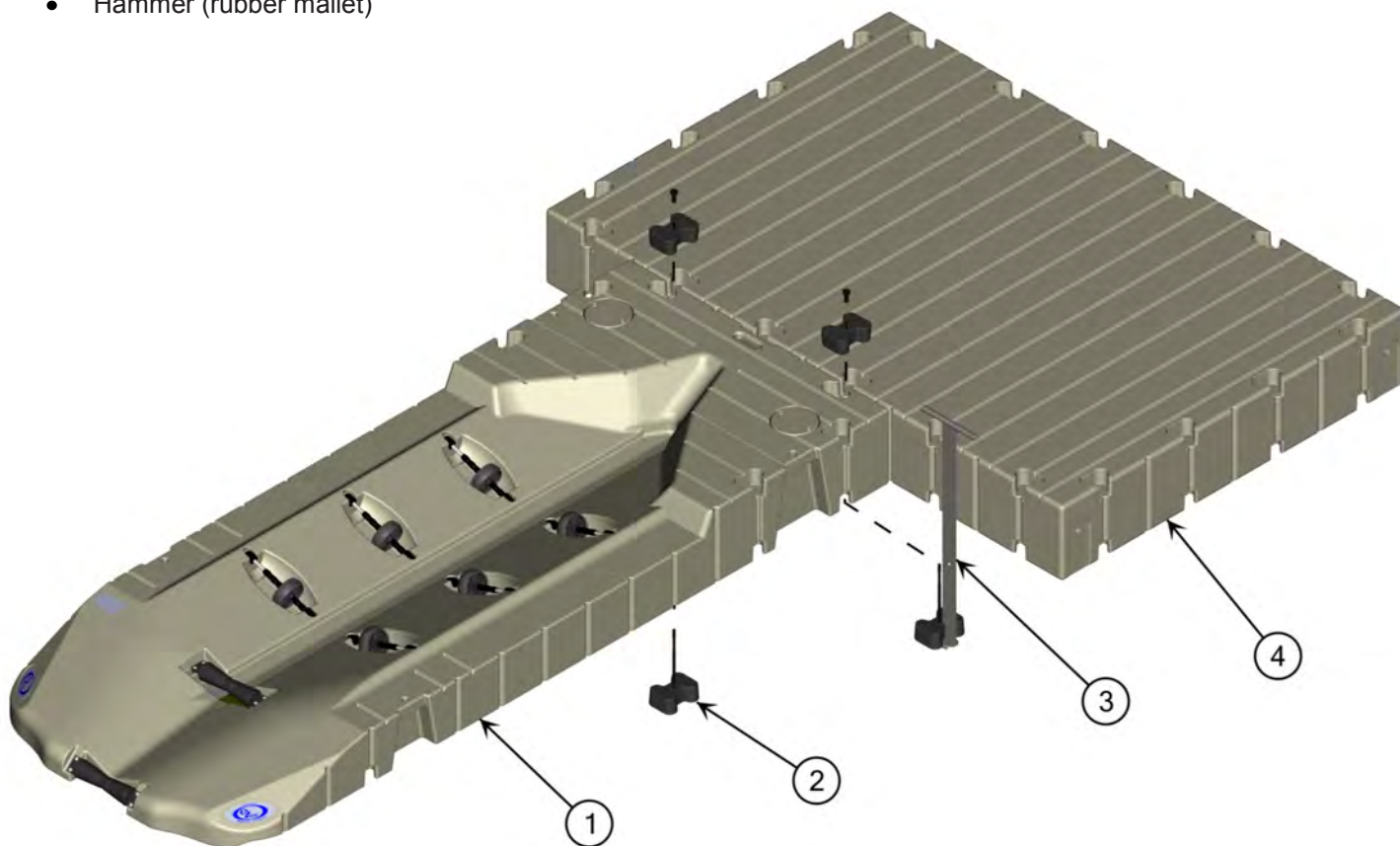


Figure 8.

ITEM	QTY.	PART NUMBER	DESCRIPTION
1	1	206030PW-EZ	EZ Port MAX Integrated Bow
2	2	301100	Coupler Set
3	1	9000010	In-Water Installation Tool
4	1	208010	80" x 10' Dock Section

NOTE:

1. All empty or unused coupler pockets should be filled with an EZ Dock pocket filler (201030).
2. When side mounting or when two ports are next to each other, it is recommended to utilize a stainless steel coupler bolt set (201100SS) in the rear coupler pockets (closest to the keel entry roller).

4A. EZ Dock Coupler Installation (301100 continued)

1. Insert the composite coupler bolt (Item 6) into coupler (Item 5). Align the mark on the head of the bolt so the splines line up into the notched pockets in the coupler.
2. Using a hammer, seat the bolt into the coupler (Figure 9).
3. Install coupler with seated bolt on the in-water installation tool, (Figure 10).



Figure 9.

4. Align the EZ Dock dock sections and the EZ Port MAX so coupler pockets are adjacent to each other (Figure 11).
5. Using the in-water installation tool (Item 7), insert the coupler and bolt assembly into the bottom pocket with the bolt pointing upward (Figure 11).
6. Hold the top handle and lower the tool with coupler in the water until the rod is completely below the bottom surface of the dock section. (If the rod hits the dock section the coupler may fall off the tool).
7. While maintaining the proper depth, slide the tool between the dock sections until you reach the pocket to be connected.
8. Pull up on the in-water installation tool to seat the bottom coupler. (**NOTE:** The EZ Dock and EZ Port MAX must be sitting level on the water and at the same elevation for the coupler to properly seat into the bottom pocket. This may require a counter balance weight toward the entry end of the EZ Port MAX to offset the weight of the installer who is standing at the seam between the EZ Port MAX and the EZ Dock). The coupler is fully seated in its pocket when the indicator hole on the in-water installation tool (Figure 10) is flush with the top of the dock (you should be able to insert a screwdriver through the indicator hole).

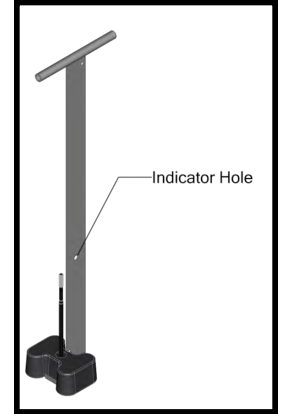


Figure 10.

9. While holding pressure, insert the top coupler into the opposing pocket by aligning the hole in the top coupler over the rod and pushing the coupler into the pocket, (Figure 12).
10. Install the coupler nut (Item 4) onto the bolt and tighten until the top of the bolt is 3/8 -1/2" below the top of the nut (do not torque over 15 ft-lb). Due to the security feature on the coupler nut, the composite coupler installation tool (Item 3) is required for tightening. The coupler installation tool is splined on the end to be inserted into the coupler nut and the other end is a 15/16" bolt. This is inserted into a 15/16" socket (Item 2) with ratchet (Item1) for tightening (Figure 12).
11. To release the installation tool, remove pin/screwdriver from the indicator hole and push down tool, sliding it between the docks to begin your next coupler installation.

DO NOT OVER TIGHTEN THE NUT! (Do not torque over 15 ft.-lbs.)

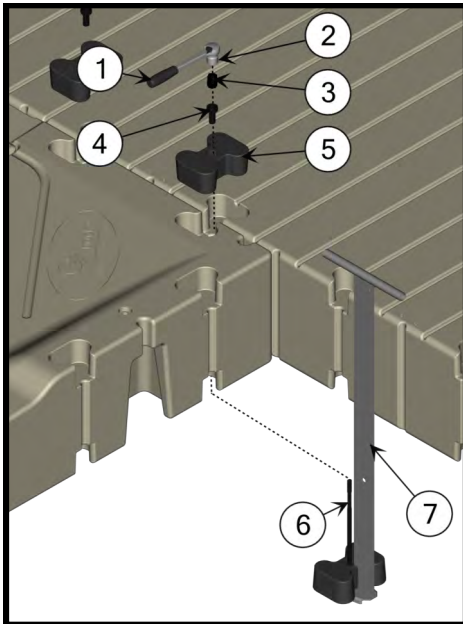


Figure 11.

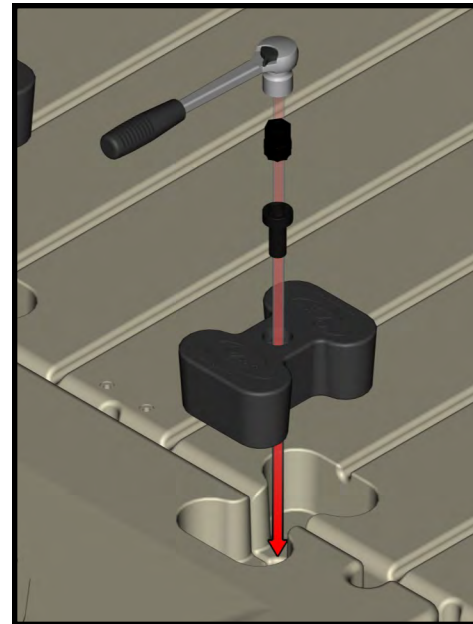


Figure 12.

ITEM	QTY.	PART NUMBER	DESCRIPTION
1	1	N/A	Ratchet
2	1	N/A	15/16" Socket
3	1	900005	Composite Coupler Installation Tool
4	4	22003	EZ Dock Coupler Nut
5	8	311010	EZ Dock Coupler
6	4	211003	Coupler Bolt
7	1	9000010	In-Water Installation Tool

4B. Installation of the EZ Port MAX with Integrated Pipe Brackets (Stand-alone Installation)

When using pipes to secure your new EZ Port MAX, they must be sufficiently embedded (driven or augered) into the lake, river, or ocean-bed to a minimum depth of 1/3 the water depth. The actual embedment required will vary depending on the bottom soil conditions.

Your EZ Port MAX comes equipped with pipe mounting holes. These holes are capped when not in use (see Detail C) and act as wear sleeves. A hole must be created in the center of the cap to accommodate the pipe and pipe wear sleeve, (Figure 15).

The EZ Port MAX (Figure 13) is designed to use 3.0" schedule 40 galvanized pipe with an outside diameter of 3.5" sleeved with 4.0" schedule 40 PVC pipe to act as a wear sleeve.

Tools required:

- Drill
- 1/2" drill bit
- Large pipe wrench
- Ratchet and socket set
- Screwdrivers (Phillips and standard)
- 3/4" or 19mm socket
- 3/4" or 19mm wrench
- Hole saw
- Utility knife
- Post level
- Hammer
- Tape Measure

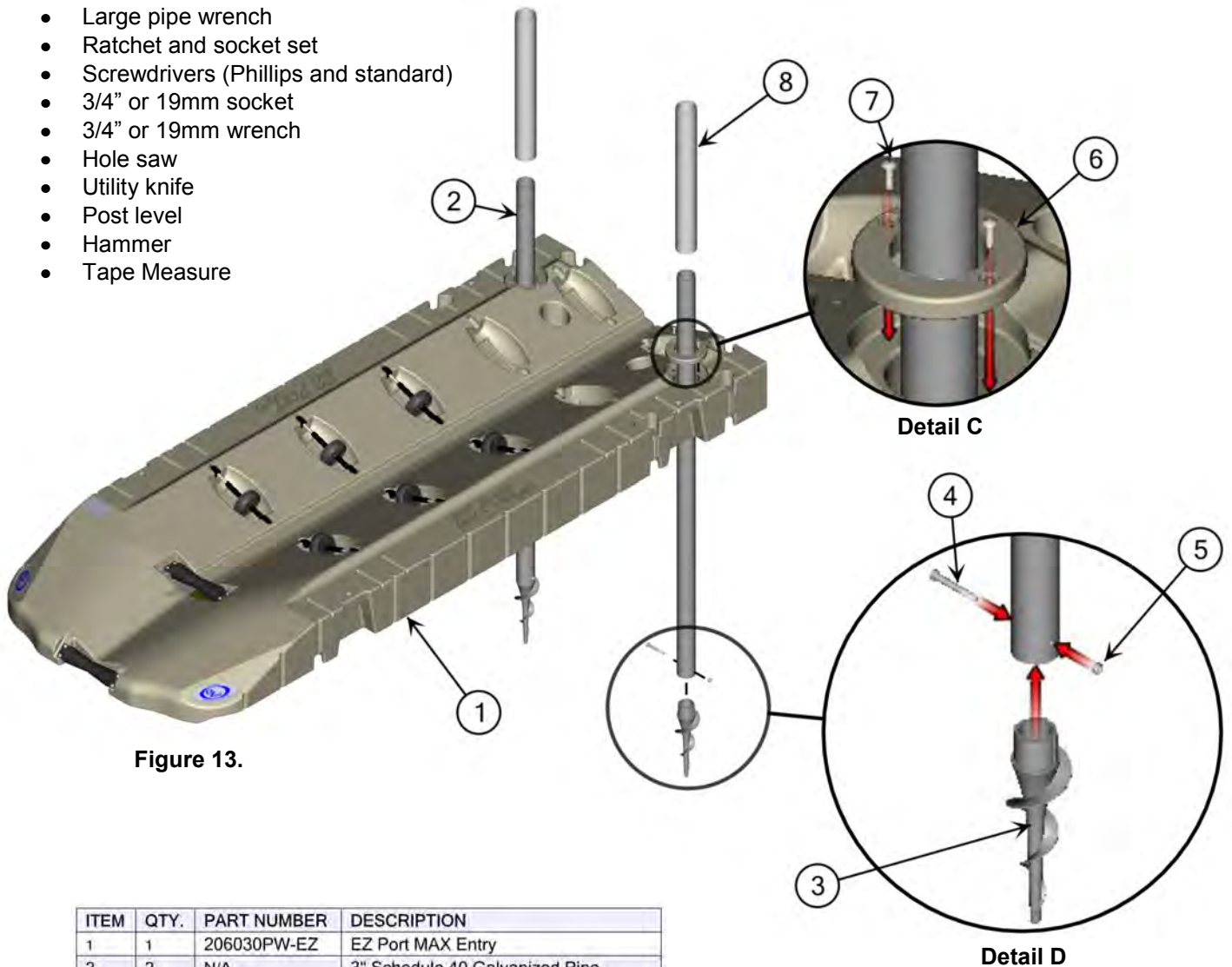


Figure 13.

ITEM	QTY.	PART NUMBER	DESCRIPTION
1	1	206030PW-EZ	EZ Port MAX Entry
2	2	N/A	3" Schedule 40 Galvanized Pipe
3	2	10355	Kit, Auger 3.5"
4	2	80124	Bolt 1/2"-13 x 4" Hex HD GRD 5 ZP
5	2	80119YZ	Nut 1/2" Hex YZ
6	2	S20616EZ	Cover, Pipe Bracket Sleeve
7	4	80514SS	Bolt 5/16"-18 1-1/4" Truss HD 18-8 SS
8	2	N/A	4" PVC Pipe

4B. Installation of the EZ Port w/ Integrated Pipe Brackets (Stand-alone Install continued)

Remove the pipe caps (Figure 14) and cut 4 1/2" holes in them (holes can be drilled with 4 1/2" hole saw (Figure 15), cut with a utility knife, or other plastic cutting tool). Re-install the caps on the EZ Port MAX.

Locate the EZ Port MAX where you want it to be installed and insert the 3 1/2" galvanized pipes through the pipe holes. Install the pipe by sufficiently embedding it into the bottom by either driving/pounding or augering (Figure 14). Be sure to keep the pipe plumb so that the EZ Port MAX will float freely.

The 4" PVC sleeve is installed by sliding the 4" PVC pipes over the 3 1/2" galvanized pipes. (A more finished look can be obtained by putting a PVC cap on the top).

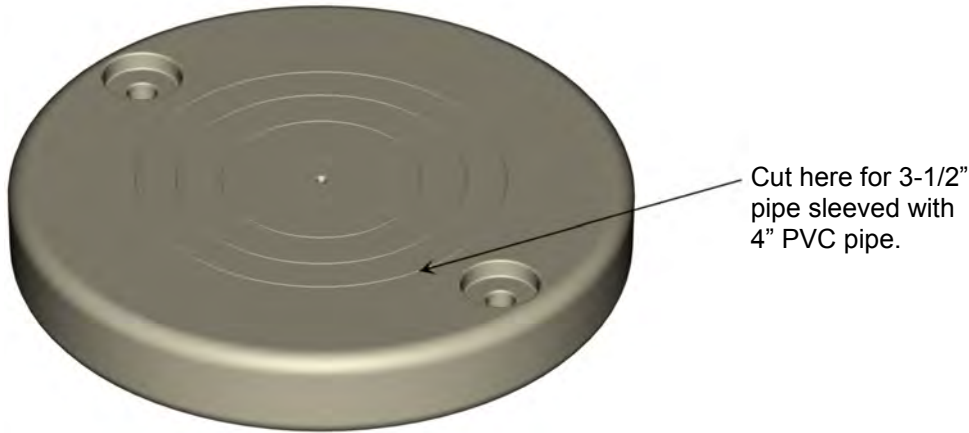


Figure 14.



Figure 15.

For ease of installation, it is recommended to use pipe augers, except in rocky or shale bottoms. Augers allow the pipe to be turned into the lake, river, or ocean-bed like a cork screw by using a pipe wrench, or by drilling a hole in the pipe and using a T-handle, (Figure 16). If a hole is drilled in the pipe, (Figure 16) then the hole must be removed by cutting the top of the pipe below the hole or installing a PVC sleeve over the pipe, (Figure 13).

Tools required:

- Drill
- Drill bit
- Ratchet
- 3/4" or 19mm socket
- 3/4" or 19mm wrench

ITEM	QTY.	PART NUMBER	DESCRIPTION
1	1	100355	Kit, Auger for 3-1/2" Pipe
2	1	N/A	3" Schedule 40 Galvanized Pipe
3	1	N/A	T Handle

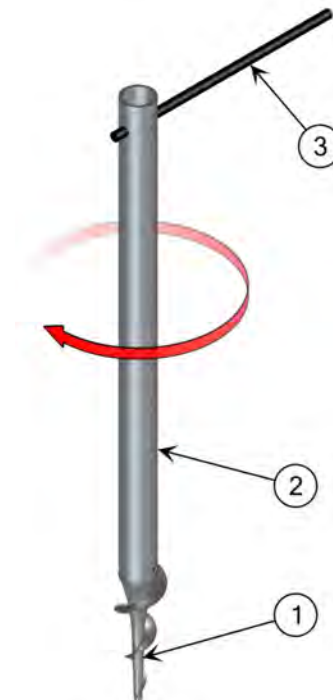


Figure 16.

4C. Installation of the EZ Port MAX to a Floating Dock using a Hinge Kit (100750 & 100750SS)

The 100750 or 100750SS hinge kit is required when anchoring an EZ Port MAX Entry (206030PW-**) with Full Bow Section (206025BS-**), or the EZ Port MAX Integrated Bow (Item 1) (Figure 17). The full bow section must be attached to the EZ Port MAX with the screws provided prior to the installation, (See Page 11 Figure 4 for bow section installation instructions).

1. Measure the freeboard of the fascia of the floating dock where the connection will be made.
2. Determine the best position for the hinge adapter plate. The plate can be above (Figure 17), perpendicular, or directly in front of the hinge adapter bracket, (Figure 18).
3. No additional weight should be on the port while measuring hinge adapter plate location.
4. When attaching to a wooden structure, use carriage bolts (not included) to attach the adapter plate. If attaching to a steel or aluminum structure, it may be necessary to first attach a 2" X 8" (5cm X 20cm) wooden fascia (not included).
5. When attaching to a concrete floating dock, concrete anchor bolts (not included) may be required.
6. When the adapter hinge plate (Item 5) is securely in place, float the EZ Port MAX Integrated Bow (Item 1) into position and secure with the hinge pins (Item 4) and clip hitch pins (Item 7).

Tools required:

- Drill
- Drill bits
- Ratchet and socket set
- Screwdrivers (Phillips and standard)
- Open-end, boxed-end wrench set
- 15/16" or 24mm socket
- Pry-bar (small and large)
- Tape measure
- Hammer
- Pliers

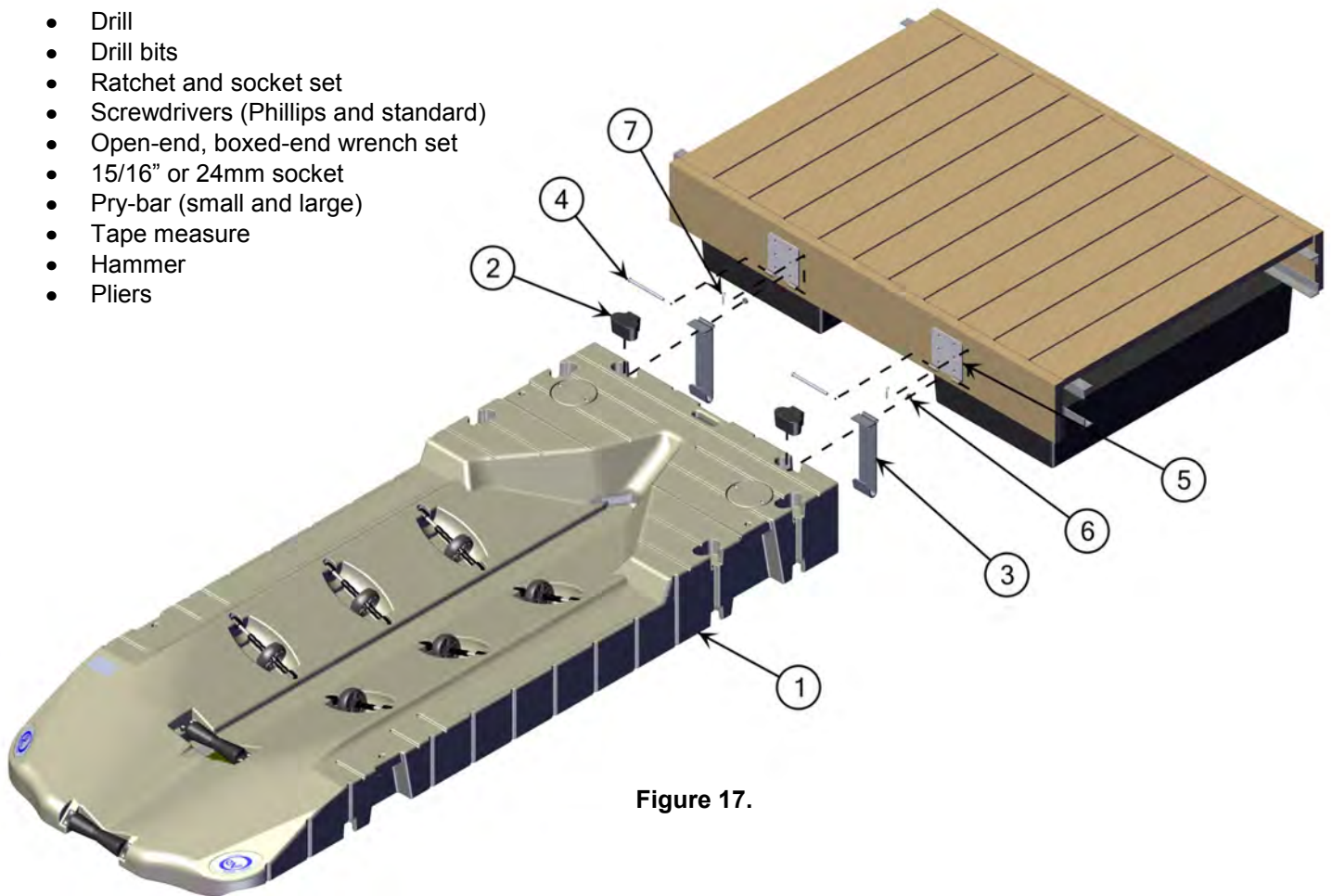


Figure 17.

ITEM	QTY.	PART NUMBER	DESCRIPTION
1	1	206032PW-EZ	EZ Port MAX Integrated Bow
2	2	S21140SS	Hardware Connector, Male w/ SS
3	2	S10713GV	Floating Dock Adapter, Hing to Float Galv.
4	2	S80968SS	Hinge Pin SS f/ Floating Dock Adapter
5	2	S10712GV	Hinge Dock Adapter Plate Galv.
6	2	80580SS	Nut 5/8"-11 Self Locking 18-8 SS
7	2	80011	Clip Hitch Pin #11, EZ Dock

4D. Installation of the EZ Port MAX to a Floating Dock using a Hinge Kit (100751 & 100751SS)

The 100751 or 100751SS hinge kit is required when anchoring an EZ Port MAX (206030PW-**) with small bow section (206027BS-**). The small bow section should be attached to the EZ Port MAX with the screws provided prior to installation, (See Page 7 - Figure 1 for bow section installation instructions).

1. Measure the freeboard of the fascia of the floating dock where the connection will be made.
2. Determine the best position for the hinge adapter plate. The plate can be above (Figure 17), perpendicular, or directly in front of the hinge adapter bracket, (Figure 18).
3. No additional weight should be on the port while measuring hinge adapter plate location.
4. When attaching to a wooden structure, use carriage bolts (not included) to attach the adapter plate. If attaching to a steel or aluminum structure, it may be necessary to first attach a 2" X 8" (5cm X 20cm) wooden fascia (not included).
5. When attaching to a concrete floating dock, concrete anchor bolts (not included) may be required.
6. When the adapter hinge plate (Item 5) is securely in place, float the EZ Port MAX Extension (Item 1) into position and secure with the hinge pins (Item 4) and clip hitch pins (Item 7).

Tools required:

- Drill
- Drill bits
- Ratchet and socket set
- Screwdrivers (Phillips and standard)
- Open-end, boxed-end wrench set
- 15/16" or 24mm socket
- Pry-bar (small and large)
- Tape measure
- Hammer
- Pliers

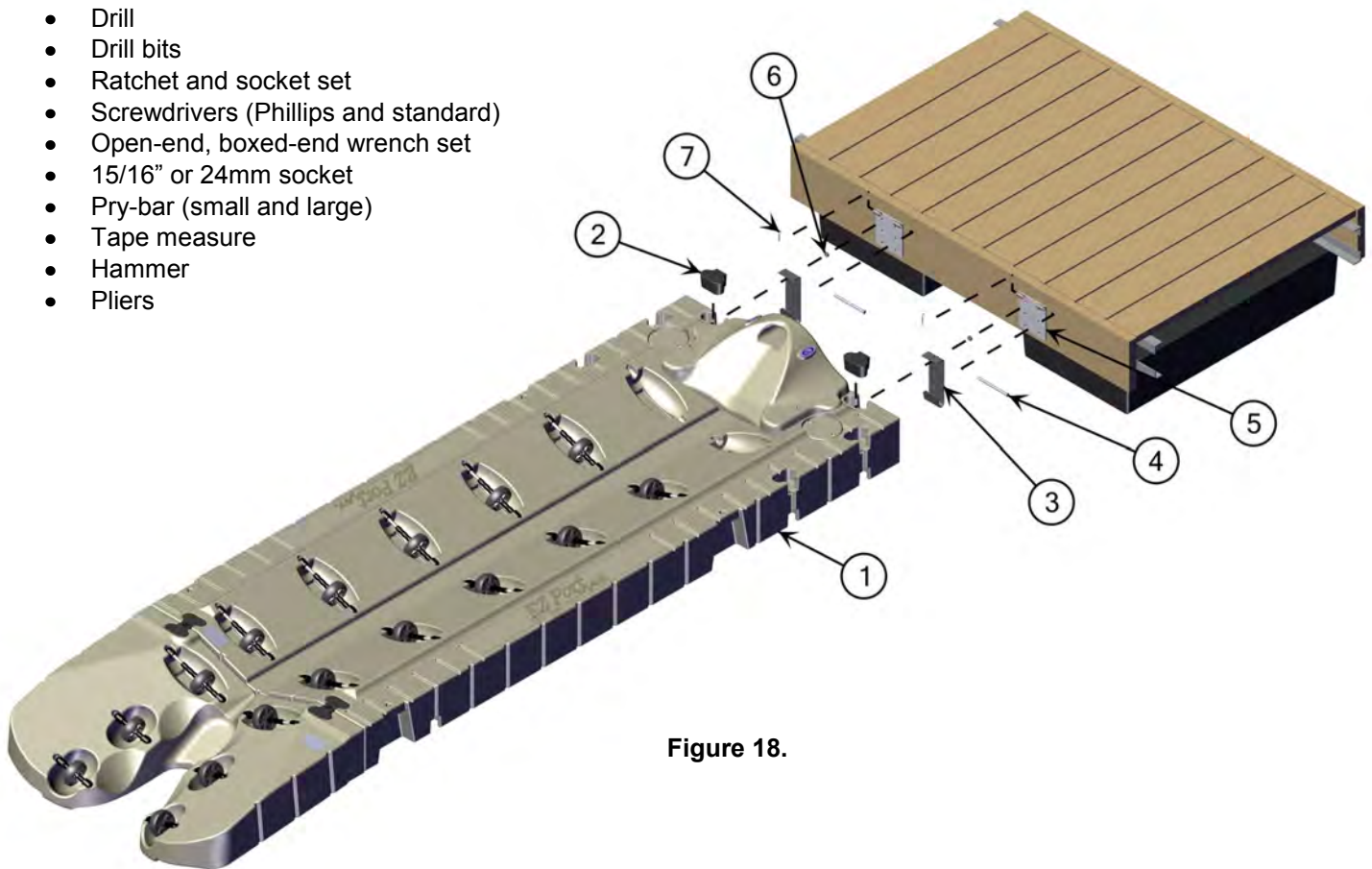


Figure 18.

ITEM	QTY.	PART NUMBER	DESCRIPTION
1	1	206035PW-EZ	EZ Port MAX2 w/ Small Bow & Easy Lift Entry
2	2	S21140SS	Hardware Connector, Male w/ SS
3	2	S10751GV	Floating Dock Adapter, Hinge to Port MAX
4	2	S80968SS	Hinge Pin SS f/ Floating Dock Adapter
5	2	S10712GV	Hinge Dock Adapter Galv.
6	2	80580SS	Nut 5/8"-11 Self Locking 18-8 SS
7	2	80011	Clip Hitch Pin #11, EZ Dock

5. Porting Instructions



#1 Idle Up to the EZ Port MAX entry

Idle the nose of the watercraft to the stern of the EZ Port MAX. Come to a complete stop and allow the watercraft to center itself with the keel inline with the center of the port.

IT IS NOT RECOMMENDED OR NECESSARY TO BUILD UP MOMENTUM TO DOCK ON THE EZ PORT MAX.



#2 Ease into the Throttle

Once the watercraft is in-line with the port, simply ease into the throttle and allow the machine to roll forward into the proper position.

There is a learning curve with this technique and it may take you several attempts to get the watercraft into the proper position.



#3 Roll Aboard & Power Off

When docking is complete, your watercraft should be all the way out of the water and stable on the port with the power turned off. The watercraft should be secured to the port when not in use.

The EZ Port MAX is a simple drive-on, push-off method of dry docking your PWC. The self floating EZ Port MAX moves with the changing water levels and protects your watercraft from wind, wave, or other environmental conditions. The EZ Port MAX comes from the factory with an adjustable roller in its recommended position. However, you still may need to make minor roller adjustments. It is very important to ensure that the watercraft enters the port and disembarks with the weight distributed on the rollers and not rubbing on the polyethylene port walls. The roller should be adjusted accordingly to get optimum results. Launching your watercraft should also be effortless and one person should be able to push the watercraft back into the water. If your watercraft is difficult to launch, seek help and contact your local dealer for roller set-up. **Do not try to launch a “stuck” PWC by yourself.**

DOCKING INSTRUCTIONS	INSTRUCTIONS D'ACCOSTAGE	INSTRUCCIONES PARA ATRACAR UNA EMBARCACIÓN PERSONAL
1. DO NOT ATTEMPT TO DOCK PWC WHEN PEOPLE OR PETS ARE ON THE PWC PORT.	1. NE PAS TENTER D'ACCOSTER LA MOTOMARINE S'IL Y A DES PERSONNES OU DES ANIMAUX SUR LE QUAI.	1. NO INTENTE ATRACAR LA EMBARCACIÓN CUANDO HAYA PERSONAS O ANIMALES EN EL PUERTO.
2. DOCK AT IDLE SPEED ONLY.	2. TOUJOURS ACCOSTER AU RALENTI.	2. ATRAQUE SÓLO A VELOCIDAD DE MARCHA EN VACÍO.
3. STEER AND CENTER PWC NOSE OVER STERN ROLLER.	3. DIRIGER ET CENTRER LE NEZ DE LA MOTOMARINE SUR LE TAMBOUR ARRIERE.	3. GUÍE LA EMBARCACIÓN Y CENTRE LA PROA SOBRE EL RODILLO DE LA POPA.
4. APPLY THROTTLE LIGHTLY AND GRADUALLY UNTIL PWC RIDES UP OVER ROLLER AND ON TO PORT.	4. METTRE LES GAZ LÉGÈREMENT ET GRADUELLEMENT JUSQU'À CE QUE LA MOTOMARINE FRANCHISSE LE TAMBOUR ET ATTEIGNE LE QUAI.	4. APLIQUE EL ACCELERADOR LEVEMENTE Y EN FORMA GRADUAL HASTA QUE LA EMBARCACIÓN SE SUBA SOBRE EL RODILLO Y ATRAQUE EN EL PUERTO.
5. SHUT OFF ENGINE.	5. COUPER LE MOTEUR.	5. APAGUE EL MOTOR.

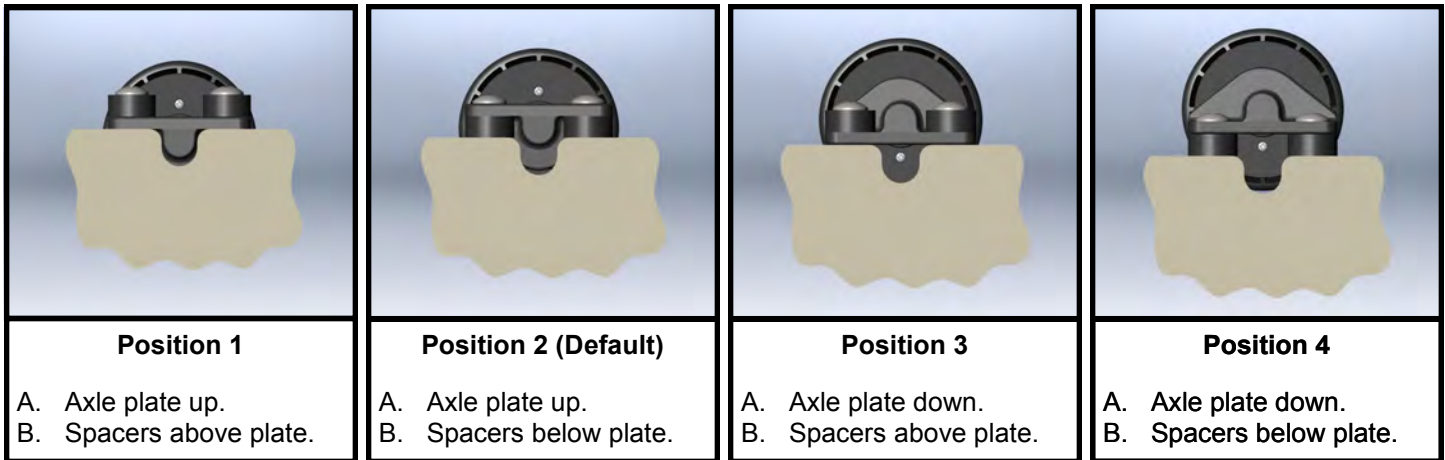


For more information go to www.ez-dock.com.

6. Keel Roller Adjustments for the EZ Port MAX (S25050-BK)

Two EZ Port MAX sections (206030PW-** and 206032PW-**) come from the factory with one adjustable keel roller located in front of the entry keel roller. This roller is factory installed in Position 2. It may be necessary to adjust the roller on your new EZ Port MAX (Figure 19). Your EZ Port MAX can be adjusted to fit most personal watercrafts (PWCs). The roller can be placed in any one of four positions. The illustrations below show each of the four positions. A roller placed too high or too low may cause difficulty in docking and launching your PWC. This process may take several adjustments before getting the correct position for your PWC model. Your EZ Port MAX is designed to make launching and docking fast, fun, and easy.

Note: The entry keel roller is set in Position 1 without the black polyethylene spacers. It is recommended not to adjust this roller and leave it in the lowest position for smoother entry and exit.



Tools required:

- Phillips Screwdriver

Procedure:

Loosen 4 screws, (Item 3), and remove.

For Position 1, remove roller (Item 1) and spacers (Item 2). Replace roller as shown in illustration above. Place spacers on top of axle plate as shown. Install screws and tighten.

For Position 3, remove roller (Item 1) and spacers (Item 2). Replace roller as shown in illustration above. Place spacers on top of axle plate as shown. Install screws and tighten.

For Position 4, remove roller (Item 1). Replace roller as shown in illustration above with spacers (Item 2) below plate. Install screws and tighten.

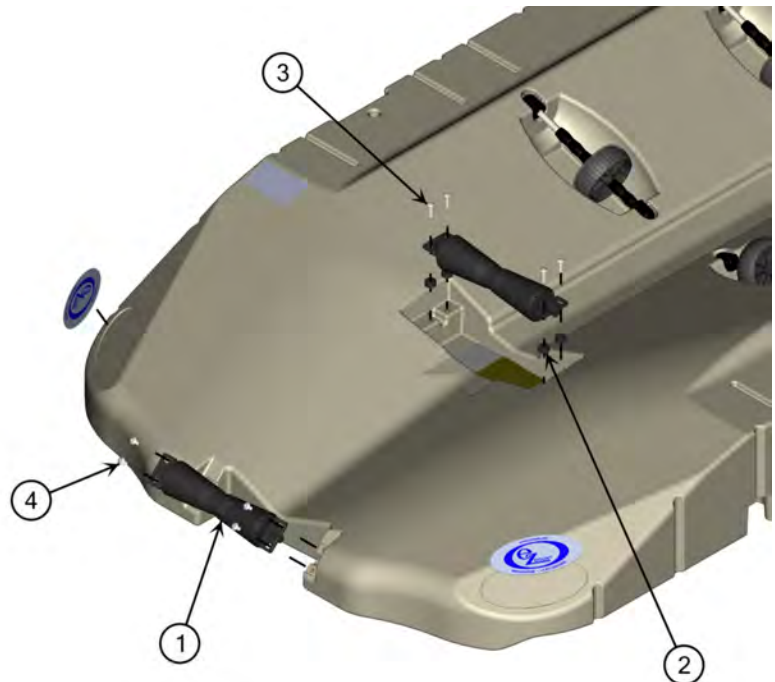


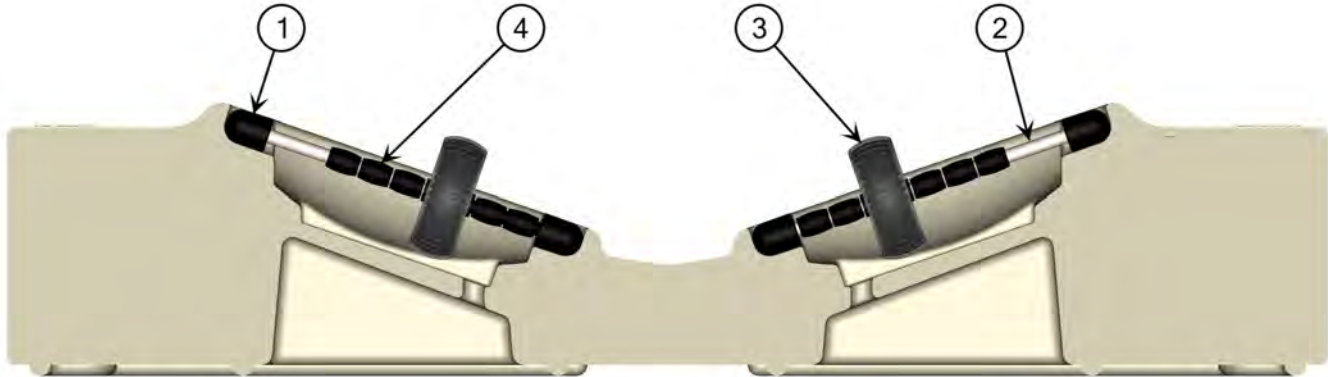
Figure 19.

ITEM	QTY.	PART NUMBER	DESCRIPTION
1	2	S25050-BK	Keel Roller, 12" Keel ASM INJ Black
2	4	S32050	Spacer 1" O.D. x 3/8" I.D. Black Polyethylene
3	4	80514SS	Bolt 5/16"-18 x 1-1/4" Truss HD 18-8 SS
4	4	80575SS	Bolt 5/16"-18 x 3/4" Truss HD 18-8 SS

7. Spoke Roller Adjustments for the EZ Port MAX (250040 and 250041)

All EZ Port MAX sections come from the factory with either the short and/or long spoke roller kits. These rollers are factory installed in their recommended locations. It may be necessary to adjust these rollers on your new EZ Port MAX to fit your personal watercraft (PWC). A roller placed too high or too low may cause difficulty in docking and launching your PWC. This process is done by repositioning where the roller and spacer links are on the shaft. This may take several adjustments before getting the correct position for your PWC model. Your EZ Port MAX is designed to make launching and docking fast, fun, and easy.

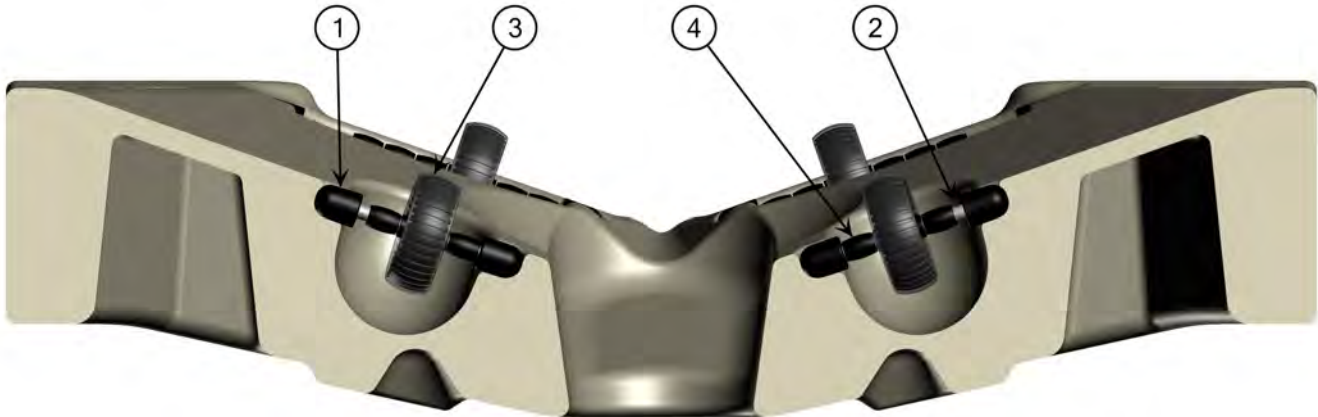
250040 - The long axel spoke roller (Figure 20) comes on all six models of EZ Port MAX (206030PW-**, 206031PW-**, 206032PW-**, 206033EX-**, 206034PW-**, and 206035PW-**). Its recommended location is with two spacer links (Item 4) below the roller (Item 3) with three spacer links above.



ITEM	QTY.	DESCRIPTION
1	2	Round Axel Expander Black
2	1	Shaft, 5/8" x 14.95" SS
3	1	Roller, Overmold Clear on Black
4	5	Spacer Link Black

Figure 20.

250041 - The short axel spoke roller (Figure 21) comes on three models of EZ Port MAX (206033EX-**, 206034PW-**, and 206035PW-**). Its recommended location is with one spacer link (Item 4) on each side of the roller (Item 3).



ITEM	QTY.	DESCRIPTION
1	2	Round Axel Expander Black
2	1	Shaft, 5/8" x 8" SS
3	1	Roller, Overmold Clear on Black
4	2	Spacer Link Black

Figure 21.

Replacement Kits - There are four different roller replacement kits available for older style or damaged rollers.

Kit Number	Long Axel Spoke Roller	Short Axel Spoke Roller	Intended Use
RK-030	6	0	206030PW and 206032PW
RK-031	10	0	206031PW
RK-034	12	4	206034PW and 206035PW
RK-036	16	0	206030PW with 206031PW (in-line)

8. Accessories - Rubber Mats S211010-****

Rubber mats are available for the EZ Port MAX that provide a softer walking surface, additional traction and cosmetic appeal. These mats are used in pairs and can be applied to the Port MAX entry section (206030PW-**), the Port MAX extension (206031PW-**) and the Port MAX Integrated Bow section (206032PW-**). These rubber mats are available in the following color combinations:

- S211010-BEBK - Beige on Black
- S211010-BEBL - Beige on Blue
- S211010-BLBE - Blue on Beige
- S211010-BLBK - Blue on Black
- S211010-SLBK - Silver on Black

1. Thoroughly clean the area. Be sure to remove any mold release, dirt, oil, etc. from the port. A glass cleaner used with a scotch-bright pad works well. Use a lint free rag to dry the area. Make certain the port is completely dry before applying mats.
2. Position the mat (Item 2) on the port in the proper position (Detail E). Use masking tape to hold in place.
3. Peel back paper on one corner of the pad. Peel only a small amount at a time to reduce stretching the pad.
4. Lightly stick corner of pad to the port. Check pad fit and adjust if necessary. Press firmly in place.
5. Slowly remove the rest of the paper backing. Continue to adhere pad as you remove backing.
6. Press firmly as you go to prevent air bubbles.
7. Use a pin or tack to puncture any air bubbles and alleviate any air that may be trapped.

Tools required:

- Glass cleaner
- Scotch-bright pad
- Lint free rag
- Masking tape
- Tape measure
- Pin or tack

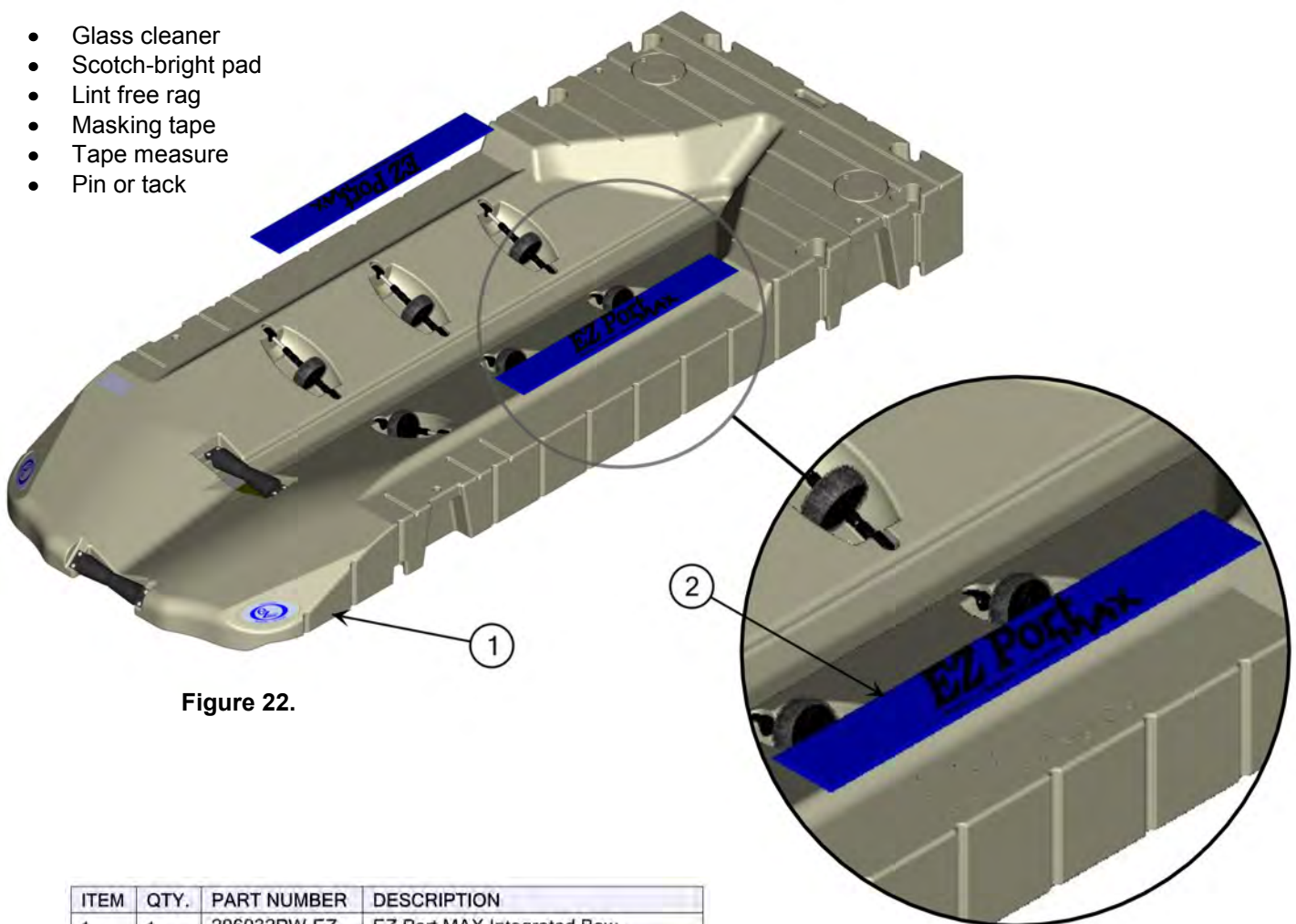


Figure 22.

Detail E

ITEM	QTY.	PART NUMBER	DESCRIPTION
1	1	206032PW-EZ	EZ Port MAX Integrated Bow
2	2	S211010-BLBK	Rubber Mat, Port MAX Blue on Black

Sample Configurations



Sample Configurations



Limited Warranty:

Flotation (8 Years) - EZ Port MAXs are warranted against cracks, breakage, leaks, and ultraviolet deterioration caused by defects in material and manufacturing workmanship for a period of eight (8) years from the date of purchase.

Hardware and Accessories (1 Year) - Hardware and accessories are warranted against defects in material and manufacturing workmanship for a period of one (1) year from the date of purchase.

These Limited Warranties specifically do not cover damages to EZ Dock products caused by: improper installation; use inconsistent with EZ Dock's instructions and product specifications; vandalism; severe weather and natural disaster; impact by watercraft, ice, falling trees, floating debris, and other foreign objects; animals or aquatic life; unauthorized product modification and attachment; and improper repair.

If an EZ Dock product fails under normal use and within the applicable warranty period, Buyer must submit a written claim to EZ Dock at 878 East Highway 60, Monett, MO 65708 USA. Claims must identify the failed product(s), describe the claimed defect(s), and include copies of dated proofs of purchase/receipts from an authorized EZ Dock reseller.

Upon receiving sufficient proof of covered product failure, EZ Dock will, in its sole discretion, either repair or replace failed products within a reasonable time after notice, and ship, at Buyer's expense, repaired and/or replacement products to the site. "Repair" may be limited to providing a repair kit to Buyer. Costs related to the removal of failed products, and the installation of repaired and/or replaced products shall be at Buyer's expense.

Warranty periods begin on the date of purchase from an authorized EZ Dock reseller. Repaired and replacement products are warranted only for the balance of the original limited warranty period. These limited warranties extend only to the original Buyer of products from an authorized EZ Dock reseller ("Original Purchaser"). Warranties are not transferable to anyone who subsequently purchases products from the Original Purchaser, or to any subsequent purchaser.

In order to ensure proper warranty coverage, Buyer should activate these Limited Warranties by properly registering the purchase of EZ Dock products within thirty (30) days of the date of purchase via the Registration Card provided in EZ Dock's Owner's Manual, or by registering online by going to www.ez-dock.com, clicking "Customer Service" and then clicking "Product Registration".

Buyer, by acceptance and use of these limited warranties, waives any rights it would otherwise have to claim or assert that these limited warranties fail of their essential purposes. Buyer agrees that venue for any court action to enforce these limited warranties shall be in Barry or Greene Counties in the State of Missouri.

THE FOREGOING LIMITED WARRANTY IS THE SOLE AND EXCLUSIVE WARRANTY FOR SELLER'S PRODUCTS, AND IS IN LIEU OF ALL OTHER WARRANTIES, EXPRESS OR IMPLIED, IN LAW OR IN FACT. SELLER SPECIFICALLY DISCLAIMS ALL OTHER WARRANTIES, EXPRESS OR IMPLIED, INCLUDING, WITHOUT LIMITATION, ALL IMPLIED WARRANTIES OF MERCHANTABILITY AND FITNESS FOR A PARTICULAR USE OR PURPOSE, AND ANY IMPLIED WARRANTIES ARISING OUT OF COURSE OF DEALING OR PERFORMANCE OR TRADE USAGE. SELLER SHALL NOT BE LIABLE FOR ANY INCIDENTAL, CONSEQUENTIAL, EXEMPLARY, SPECIAL, OR PUNITIVE DAMAGES, OR ANY LOSS OF REVENUE, PROFIT OR USE, ARISING OUT OF A BREACH OF THIS WARRANTY OR IN CONNECTION WITH THE SALE, INSTALLATION, MAINTENANCE, USE, OPERATION OR REPAIR OF ANY PRODUCT. IN NO EVENT WILL SELLER BE LIABLE FOR ANY AMOUNT GREATER THAN THE PURCHASE PRICE OF A DEFECTIVE PRODUCT.



The first dock of its kind...The last dock you will ever need®.

www.ez-dock.com

USA/Canada: 1-800-654-8168

Int'l: 1-417-235-2223

Europe: +46 (0) 380 47 300

©2011 EZ Dock, Inc. EZ Dock is a member of the PlayPower family of companies, which also includes Miracle Recreation Equipment company, PlayPower LT Farmington, Inc., SoftPlay, L.L.C., HAGS, RSS, Records, and SMP.