



EZ Dock® Aluminum Gangway

Owner's Manual and Installation Instructions

Models: G110208, G110212, G110216, G100308, G100312, G100316, G100320, G100324, G100408, G100412, G100416, G100420, G100424, G100508, G100512, G100516, G100520, G100524, G111208, G111212, G111216, G101308, G101312, G101316, G101320, G101324, G101408, G101412, G101416, G101420, G101424, G101508, G101512, G101516, G101520, G101524, G200350, G200360, G200450, G200460, G200465, G200550, G200560, 300300, and 300400

For questions about features, operation/performance, parts, accessories or installation, call your local EZ Dock dealer.

Additional information regarding EZ Dock products can be found on the internet at www.ez-dock.com.



The first dock of its kind...The last dock you will ever need®.

Table of Contents

Assembly, Installation, Maintenance and Safety.....	3
Aluminum Gangway Accessories Specifications.....	3
Aluminum Gangway Specifications.....	4
Aluminum Gangway Product Line.....	5
Assembly of an EZ Dock Aluminum Gangway.....	9
Selecting Your Installation/Attachment Methods.....	11
Site Conditions and Usage.....	11
1. Hinge to Float Kit Installation.....	12
2. Shoreline Abutment Kit Installation.....	18
3. 4' Transition Plate Kit Installation.....	20
4. Roller Kit Installation.....	26
Sample Configurations.....	27
Warranty/Customer Service.....	28
Maintaining your EZ Dock Aluminum Gangway.....	29

Dear EZ Dock Customer,

The EZ Dock Team thanks you for your purchase. We know that you had other choices of gangways, and we appreciate your decision to purchase an EZ Dock Aluminum Gangway.

You will find it easy to maintain your EZ Dock Aluminum Gangway and to add accessories and other components to your gangway in the future. We hope that you, your family, and your friends will enjoy this gangway and the EZ Dock product line for many years to come.

Before you install your new EZ Dock Aluminum Gangway, please take a moment and fill out the registration card. To save time, you can also register online at www.ez-dock.com. By registering your product, you will activate your product warranty and thereby protect your purchase against covered product defects. Please feel free to give your EZ Dock customer service department a call with any issues that you may have regarding your EZ Dock Aluminum Gangway. You can reach our customer service department by dialing:

USA/Canada: 1-888-654-8168

Int'l: 1-417-235-2223

Europe: +46 (0) 380 47 300

IMPORTANT! Assembly, Installation, Maintenance and Safety:

You should read these instructions thoroughly before assembling and installing your EZ Dock Aluminum Gangway. Please adhere to all recommendations and cautionary suggestions appearing in this manual and always follow the instructions precisely. Please save these instructions and refer to them as needed for future reference.

DANGER



Drowning Hazard

Swimming under and/or attempting to breathe in cavities under EZ Dock docks and ports while performing in-water installation of docks, ports and couplers can result in accidental drowning and death.

Do not attempt in-water installation without EZ Dock in-water coupler installation tools.

Tools and Requirements:

As with any assembly and installation, some tools are required to assemble and install your EZ Dock Aluminum Gangway. You may not need every tool listed below for your particular installation, but the following tools are generally helpful in the installation process (for professional installation, call your local EZ Dock dealer):

- Ratchet and socket set that includes 1/2", 9/16", 5/8", 11/16", 15/16" sq. HD. or 24mm - 12pt
- Open-end, boxed-end wrench set (above mentioned sizes)
- Screwdrivers (Phillips and standard)
- Pliers
- Adjustable wrenches
- Hammer (rubber mallet)
- Pry-bar (small and large)
- Masonry bit
- Power drill and bits (hammer drill for concrete)
- Traditional hand or electric saw
- Tape measure

EZ Dock Aluminum Gangway Accessories Specifications

Model	Part Number	Length	Width	Height	Weight	Gangway Used With
40" Hinge to Float Kit	(G200360)	37 3/4" (95.9 cm)	8 3/4" (22.2 cm)	15 3/16" (38.6 cm)	26 lbs. (11.8 kg)	2' & 3'
3' Transition Plate Kit	(G200350)	36 3/4" (93.3 cm)	28 7/8" (73.3 cm)	2 11/16" (6.8 cm)	34 lbs. (15.4 kg)	3'
60" Hinge to Float Kit	(G200460)	57 1/4" (145.4 cm)	8 3/4" (22.2 cm)	15 3/16" (38.6 cm)	39 lbs. (17.7 kg)	2', 3', 4', & 5'
60" Shoreline Abutment Kit	(G200465)	57 1/4" (145.4 cm)	8 3/4" (22.2 cm)	5 1/4" (13.3 cm)	31 lbs. (14.1 kg)	2', 3', 4', & 5'
4' Transition Plate Kit	(G200450)	48 3/4" (123.8 cm)	28 7/8" (73.3 cm)	2 11/16" (6.8 cm)	45 lbs. (20.4 kg)	4'
80" Hinge to Float Kit	(G200560)	76 3/4" (194.9 cm)	8 3/4" (22.2 cm)	15 3/16" (38.6 cm)	47 lbs. (21.3 kg)	2', 3', 4', & 5'
5' Transition Plate Kit	(G200550)	60 3/4" (154.3 cm)	41 1/4" (104.8 cm)	2 11/16" (6.8 cm)	66 lbs. (29.9 kg)	5'

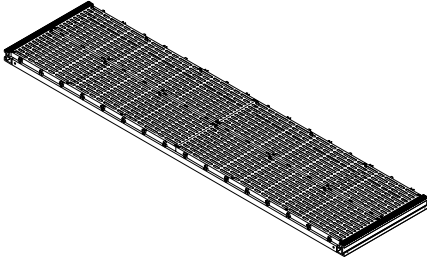
Note: These specifications are overall dimensions and weights may vary within tolerances specified by EZ Dock.

EZ Dock Aluminum Gangway Specifications

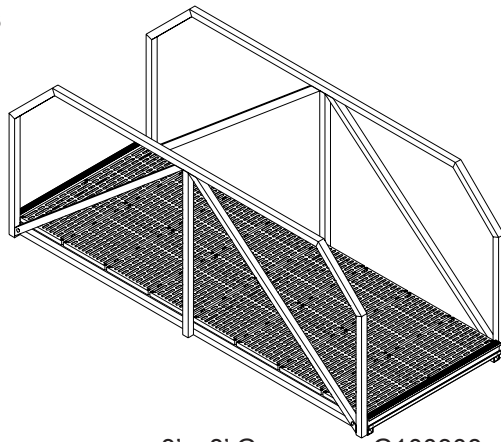
Model	Part Number	Length	Width	Height	Weight	Load Capacity
2' x 8' Aluminum Gangway with No Handrails	(G110208)	99" (251.5 cm)	24 1/2" (62.2 cm)	2 3/4" (7.0 cm)	60 lbs. (27.2 kg)	50 lbs./sq. ft. (244.1 kg/sq. m)
2' x 12' Aluminum Gangway with No Handrails	(G110212)	146 1/4" (371.5 cm)	24 1/2" (62.2 cm)	2 3/4" (7.0 cm)	85 lbs. (38.6 kg)	50 lbs./sq. ft. (244.1 kg/sq. m)
2' x 16' Aluminum Gangway with No Handrails	(G110216)	195 1/8" (495.6 cm)	24 1/2" (62.2 cm)	2 3/4" (7.0 cm)	105 lbs. (47.6 kg)	35 lbs./sq. ft. (170.9 kg/sq. m)
3' x 8' Aluminum Gangway	(G100308)	99" (251.5 cm)	39 1/2" (100.3 cm)	41 3/16" (104.6 cm)	145 lbs. (65.8 kg)	50 lbs./sq. ft. (244.1 kg/sq. m)
3' x 12' Aluminum Gangway	(G100312)	146 1/4" (371.5 cm)	39 1/2" (100.3 cm)	41 3/16" (104.6 cm)	215 lbs. (97.5 kg)	50 lbs./sq. ft. (244.1 kg/sq. m)
3' x 16' Aluminum Gangway	(G100316)	195 1/8" (495.6 cm)	39 1/2" (100.3 cm)	41 3/16" (104.6 cm)	275 lbs. (124.7 kg)	50 lbs./sq. ft. (244.1 kg/sq. m)
3' x 20' Aluminum Gangway	(G100320)	243 1/4" (617.9 cm)	39 1/2" (100.3 cm)	41 3/16" (104.6 cm)	345 lbs. (156.5 kg)	50 lbs./sq. ft. (244.1 kg/sq. m)
3' x 24' Aluminum Gangway	(G100324)	291 1/4" (739.8cm)	39 1/2" (100.3 cm)	41 3/16" (104.6 cm)	400 lbs. (181.4 kg)	50 lbs./sq. ft. (244.1 kg/sq. m)
4' x 8' Aluminum Gangway	(G100408)	99" (251.5 cm)	51 1/2" (130.8 cm)	41 3/16" (104.6 cm)	170 lbs. (77.1 kg)	50 lbs./sq. ft. (244.1 kg/sq. m)
4' x 12' Aluminum Gangway	(G100412)	146 1/4" (371.5 cm)	51 1/2" (130.8 cm)	41 3/16" (104.6 cm)	225 lbs. (102.1 kg)	50 lbs./sq. ft. (244.1 kg/sq. m)
4' x 16' Aluminum Gangway	(G100416)	195 1/8" (495.6 cm)	51 1/2" (130.8 cm)	41 3/16" (104.6 cm)	315 lbs. (142.8 kg)	50 lbs./sq. ft. (244.1 kg/sq. m)
4' x 20' Aluminum Gangway	(G100420)	243 1/4" (617.9 cm)	51 1/2" (130.8 cm)	41 3/16" (104.6 cm)	400 lbs. (181.4 kg)	50 lbs./sq. ft. (244.1 kg/sq. m)
4' x 24' Aluminum Gangway	(G100424)	291 1/4" (739.8cm)	51 1/2" (130.8 cm)	41 3/16" (104.6 cm)	465 lbs. (210.9kg)	50 lbs./sq. ft. (244.1 kg/sq. m)
5' x 8' Aluminum Gangway	(G100508)	99" (251.5 cm)	63 1/2" (161.3 cm)	41 3/16" (104.6 cm)	205 lbs. (93.0 kg)	50 lbs./sq. ft. (244.1 kg/sq. m)
5' x 12' Aluminum Gangway	(G100512)	146 1/4" (371.5 cm)	63 1/2" (161.3 cm)	41 3/16" (104.6 cm)	330 lbs. (149.7 kg)	50 lbs./sq. ft. (244.1 kg/sq. m)
5' x 16' Aluminum Gangway	(G100516)	195 1/8" (495.6 cm)	63 1/2" (161.3 cm)	41 3/16" (104.6 cm)	380 lbs. (172.4 kg)	50 lbs./sq. ft. (244.1 kg/sq. m)
5' x 20' Aluminum Gangway	(G100520)	243 1/4" (617.9 cm)	63 1/2" (161.3 cm)	41 3/16" (104.6 cm)	480 lbs. (217.7 kg)	50 lbs./sq. ft. (244.1 kg/sq. m)
5' x 24' Aluminum Gangway	(G100524)	291 1/4" (739.8cm)	63 1/2" (161.3 cm)	41 3/16" (104.6 cm)	560 lbs. (254.0 kg)	50 lbs./sq. ft. (244.1 kg/sq. m)

Note: These specifications are overall dimensions and weights may vary within tolerances specified by EZ Dock.

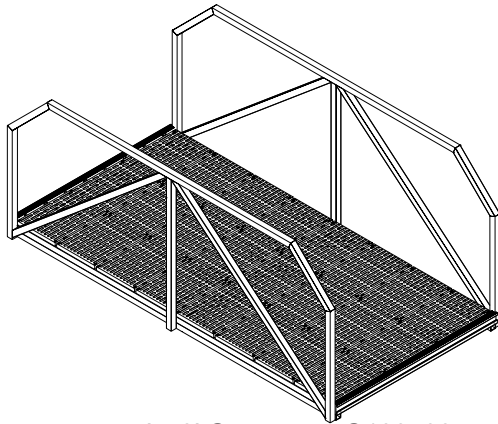
8' Long EZ Dock Aluminum Gangway Options



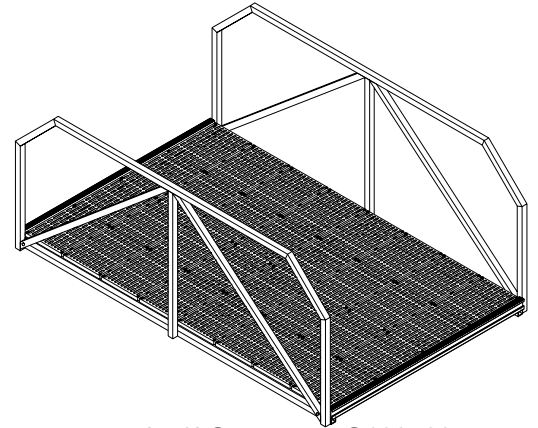
2' x 8' Gangway - G110208



3' x 8' Gangway - G100308

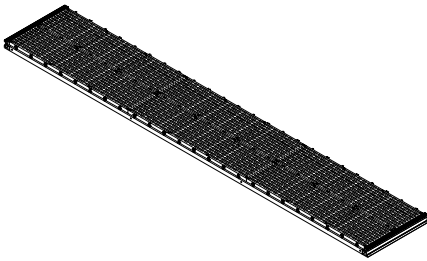


4' x 8' Gangway - G100408

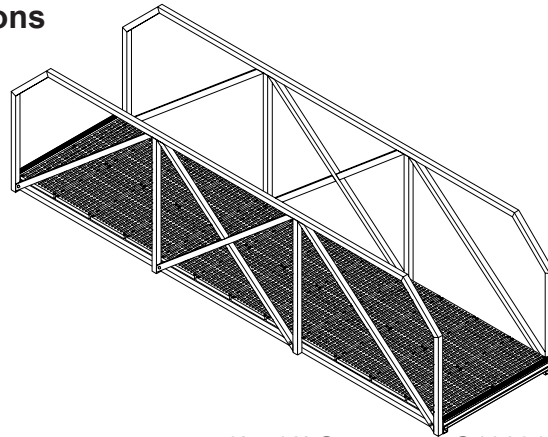


5' x 8' Gangway - G100508

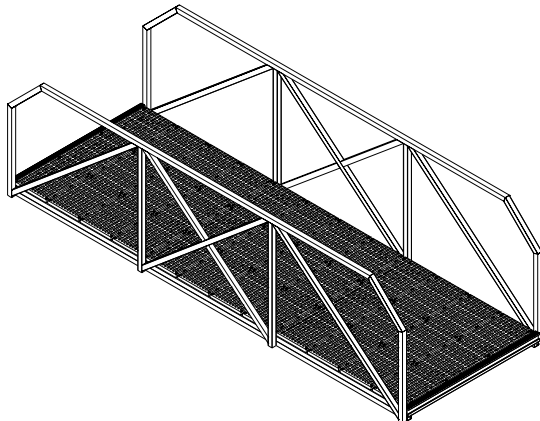
12' Long EZ Dock Aluminum Gangway Options



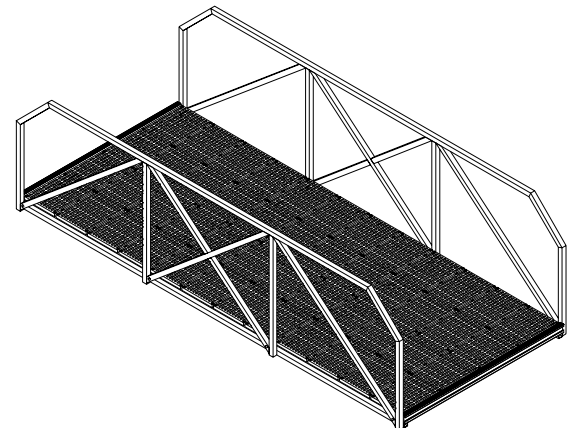
2' x 12' Gangway - G110212



3' x 12' Gangway - G100312

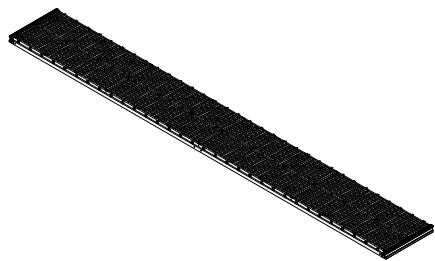


4' x 12' Gangway - G100412

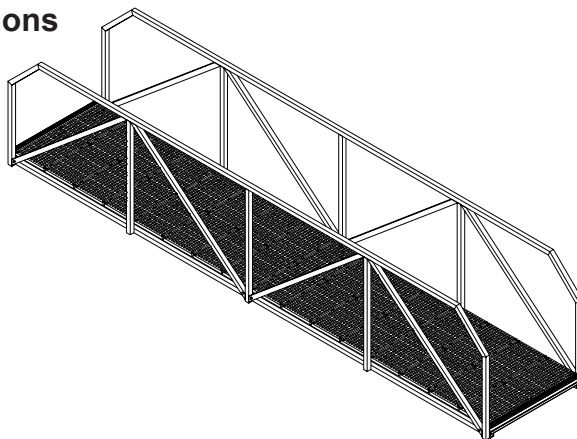


5' x 12' Gangway - G100512

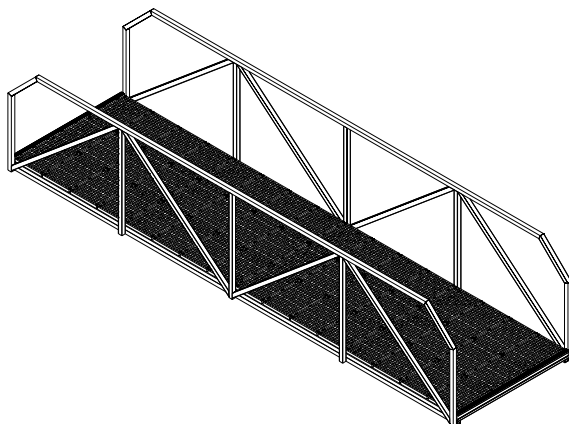
16' Long EZ Dock Aluminum Gangway Options



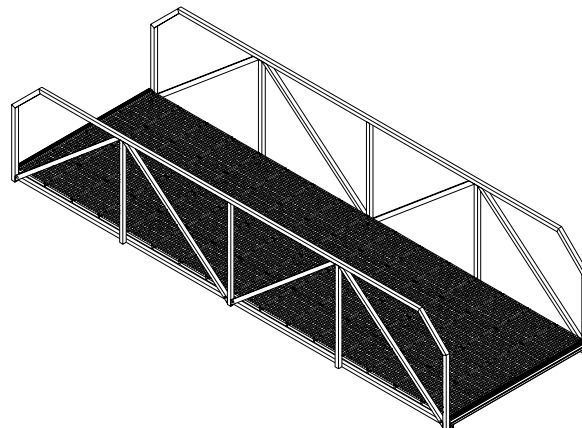
2' x 16' Gangway - G110216



3' x 16' Gangway - G100316

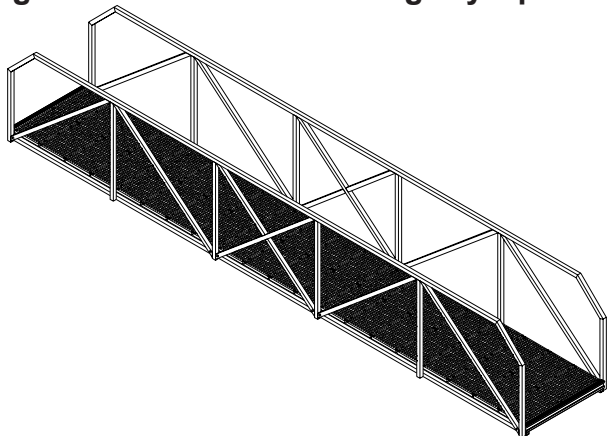


4' x 16' Gangway - G100416

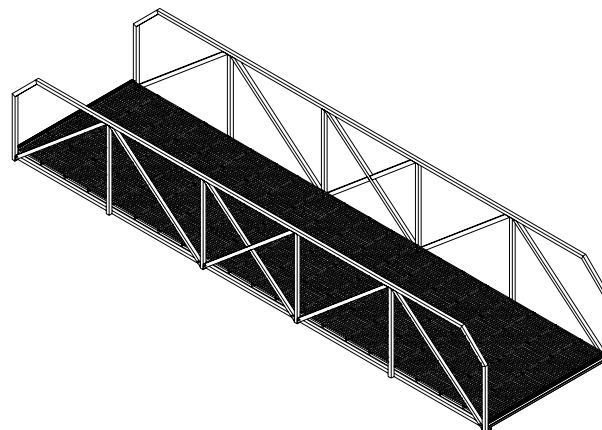


5' x 16' Gangway - G100516

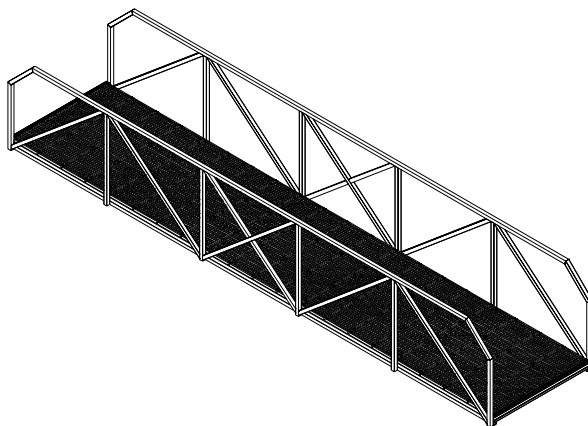
20' Long EZ Dock Aluminum Gangway Options



3' x 20' Gangway - G100320

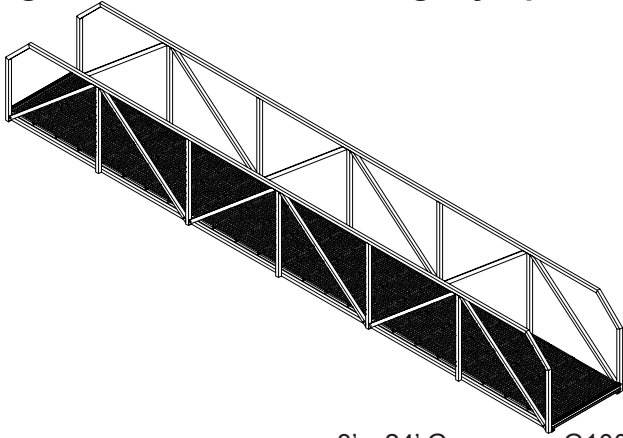


5' x 20' Gangway - G100520

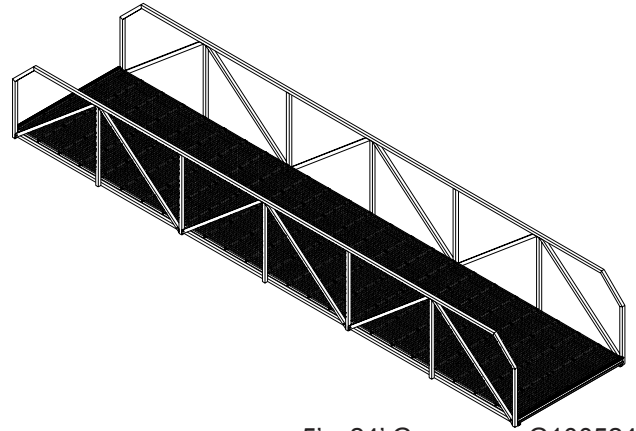


4' x 20' Gangway - G100420

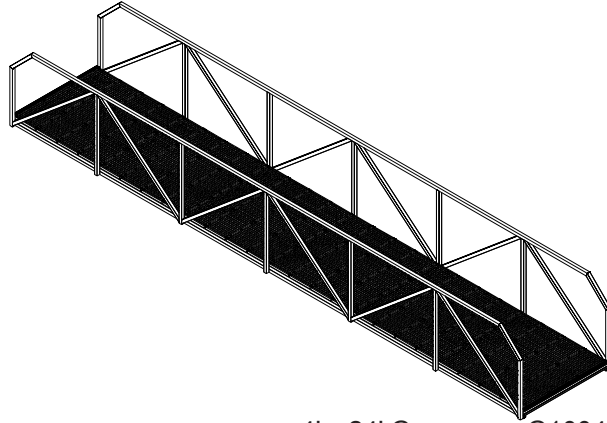
24' Long EZ Dock Aluminum Gangway Options



3' x 24' Gangway - G100324

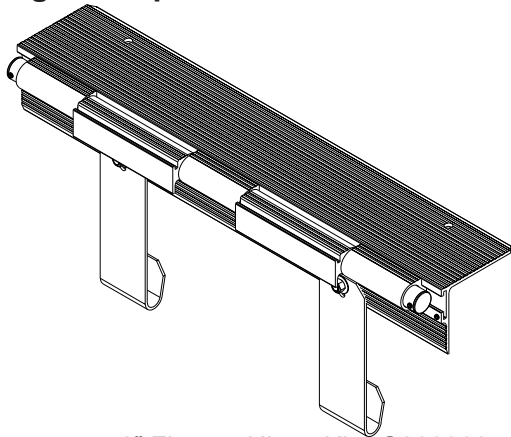


5' x 24' Gangway - G100524

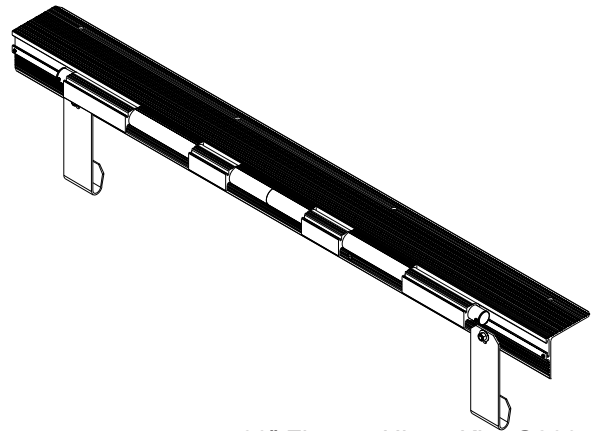


4' x 24' Gangway - G100424

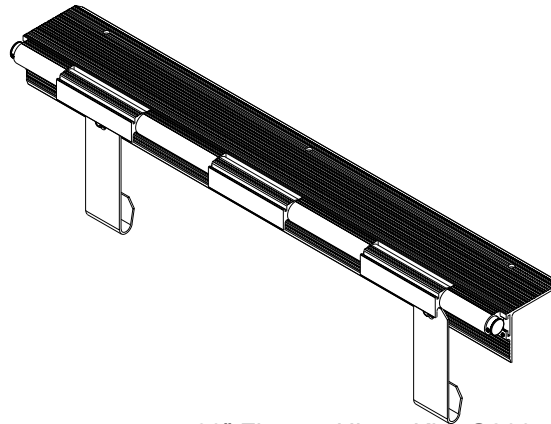
Float to Hinge Kit Options



40" Float to Hinge Kit - G200360



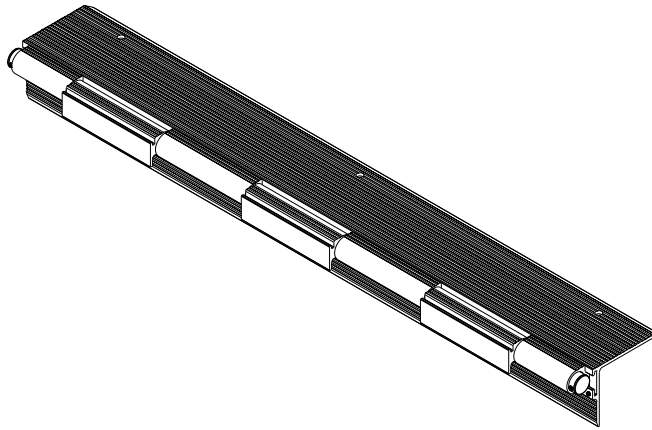
80" Float to Hinge Kit - G200560



60" Float to Hinge Kit - G200460

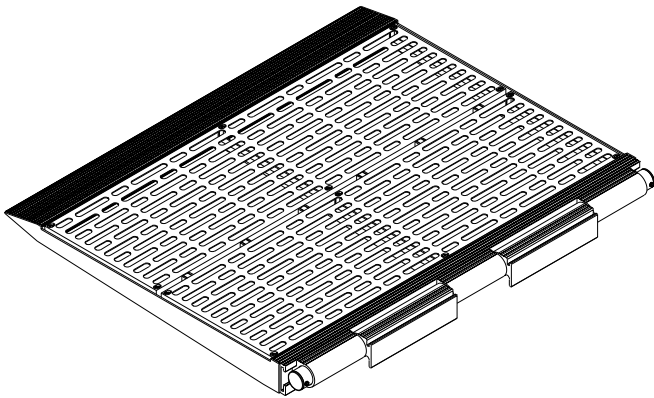
For more information call 1-800-654-8168 or go to www.ez-dock.com.

Shoreline Abutment Kit Options

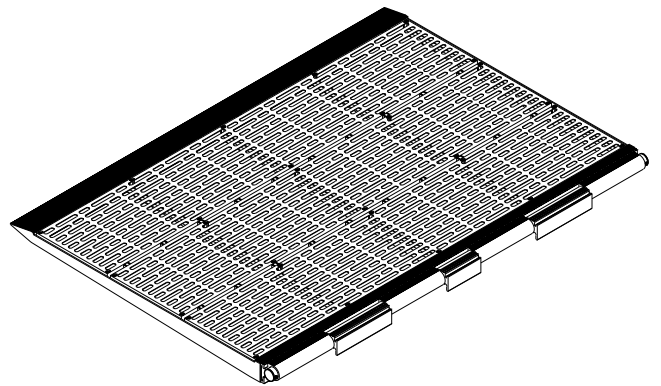


60" Shoreline Abutment Kit - G200465

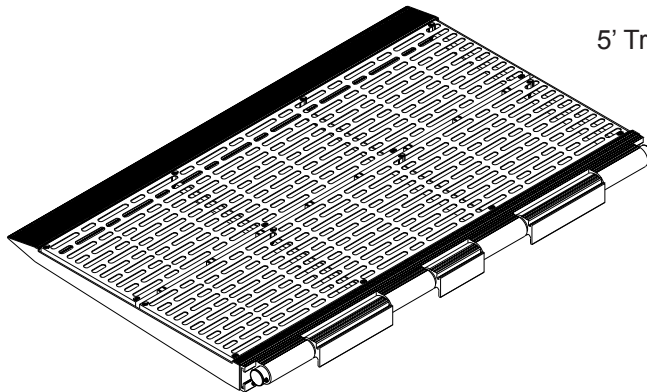
Transition Plate Kit Options



3' Transition Plate Kit - G200350



5' Transition Plate Kit - G200550



4' Transition Plate Kit - G200450

Assembly of an EZ Dock Aluminum Gangway

Although there is a variety of sizes of EZ Dock Aluminum Gangways, the assembly for each consists of the same steps. Before starting the assembly make sure all of the instructions have been read and understood. Also, due to the size and weight of the gangway, make sure you have enough help to safely lift and move the gangway and its components.

Note: 2' EZ Dock Aluminum Gangways come without handrails so one can start at step 3. Also, be aware that decking panels are rotated 90 degrees for 2' gangways.

- **Step 1:** Attached the two (2) handrail sections (Item 1) to the gangway base (Item 2) using the hex nuts (Item 4), carriage bolts (Item 3), and flat washers (Item 5) provided, (Figure 1). Make sure the bolts are tight but not over tightened.

Tools required:

- Phillips Screwdriver
- Ratchet and socket set or open-end, boxed-end wrench set
- Open-end, boxed-end wrench set
- Traditional hand or electric saw
- Tape measure

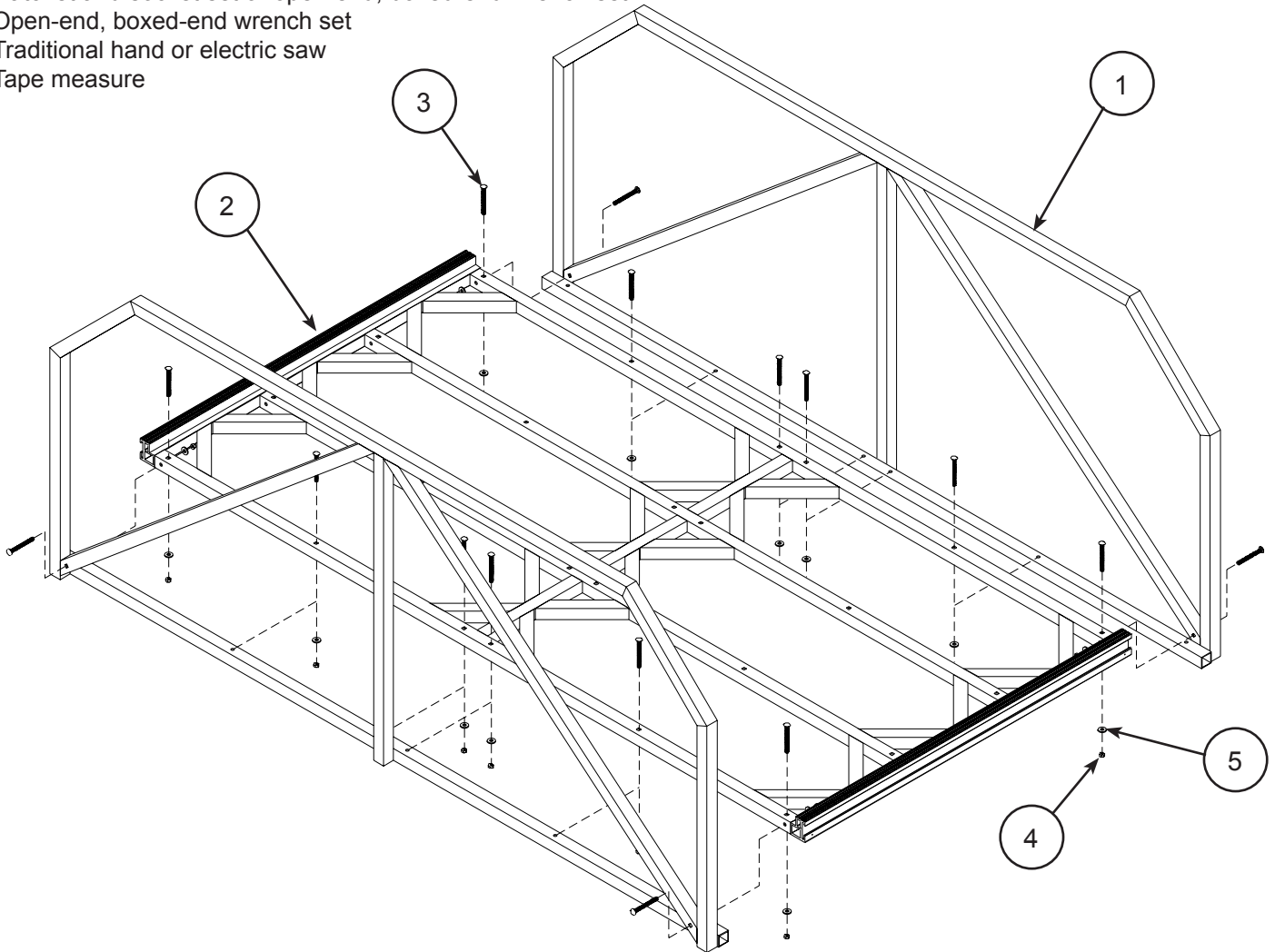


Figure 1.

BILL OF MATERIAL			
ITEM	QTY.	PART NO.	DESCRIPTION
1	2	R40408	Aluminum Handrail Section - 8'
2	1	B40408	Aluminum Gangway Base - 4' x 8'
3	16	80540SS	Bolt 5/16"-18 x 3 1/2" Carriage HD 18-8SS
4	16	110021	Nut 5/16"-18 Hex 18-8 SS
5	16	117005	Washer 3/8" x 1" OD Flat 18-8 SS
6	2	H40015	32ea. - Screw 1-1/4" SS Self Sq. Drive Pan
7	2	H40444	Decking Panel ThruFlow™ Beige 4' x 4'

Assembly of an EZ Dock Aluminum Gangway (Continued)

- **Step 2:** Once handrails are attached, remove the interlocking tabs on only one end of the first and last panel of ThruFlow™ Decking (Item 7), (Figure 2). All other interlocking tabs not located on the end of the gangway are to be left alone. This can be done with either a traditional or electric saw.

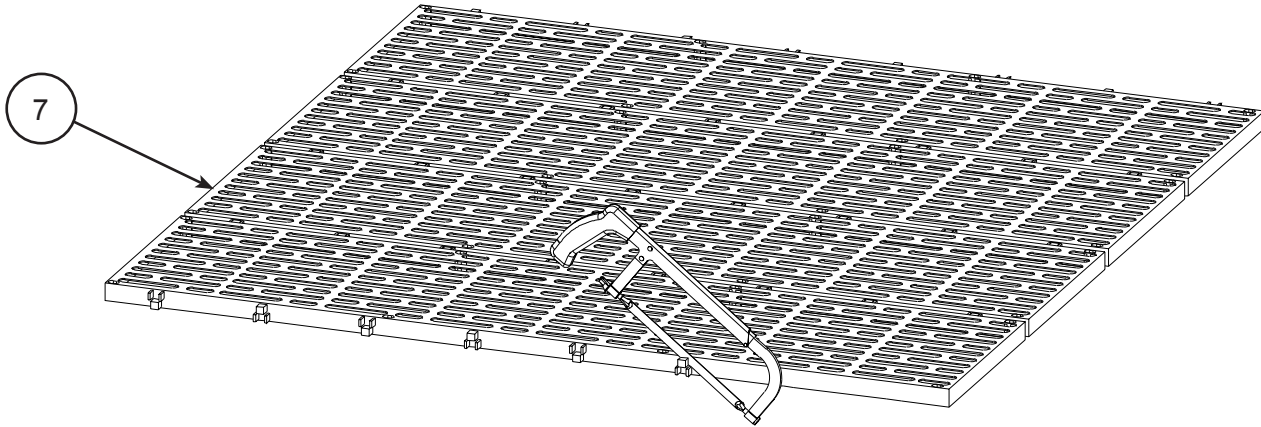


Figure 2.

- **Step 3:** Next, lay out all decking panels on the gangway. Make sure that the two pieces that were cut on Step 2 are placed on each end with the side without interlocking tabs facing out. The decking panels should be centered on the aluminum gangway base, approximately 1/4" from the outside edge (length) of the base. Once located correctly, fasten the ThruFlow™ Decking panel with the decking screws provided (Item 6), (Figure 3).

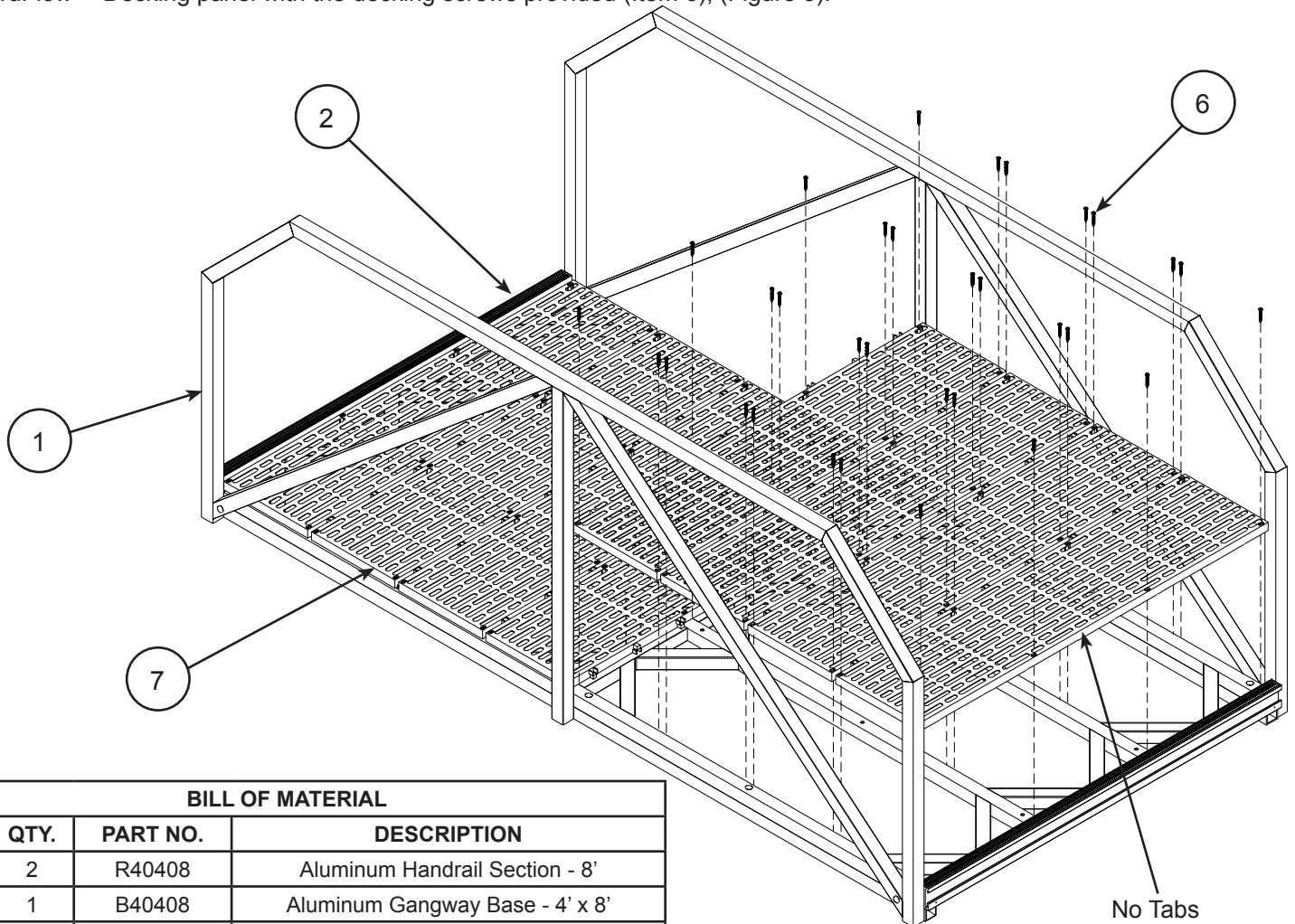


Figure 3.

BILL OF MATERIAL			
ITEM	QTY.	PART NO.	DESCRIPTION
1	2	R40408	Aluminum Handrail Section - 8'
2	1	B40408	Aluminum Gangway Base - 4' x 8'
3	16	80540SS	Bolt 5/16"-18 x 3 1/2" Carriage HD 18-8SS
4	16	110021	Nut 5/16"-18 Hex 18-8 SS
5	16	117005	Washer 3/8" x 1" OD Flat 18-8 SS
6	2	H40015	32ea. - Screw 1-1/4" SS Self Sq. Drive Pan
7	2	H40444	Decking Panel ThruFlow™ Beige 4' x 4'

Selecting your Installation/Attachment Method

The EZ Dock Aluminum Gangway must be able to freely move on one end due to changing water levels. To accomplish this, one end must be fixed using an EZ Dock hinge bracket such as the Shoreline Abutment Kit (G200465) or the Hinge to Float Kit (G200360, G200460 and G200560) that allow that gangway to rotate. The other end of the gangway is left unattached, allowing it to move with any fluctuation in water level. To reduce wear and allow a safe experience on the EZ Dock Aluminum Gangway, a Roller Kit (300300 and 300400) and Transition Plate (G200350, G200450 and G200550) are highly recommended.

Site Conditions to be Considered

Every EZ Dock Aluminum Gangway installation will be site specific and must be configured specifically for the end user's intended application. Some factors that must be taken into consideration when determining the components necessary for a proper installation are: intended usage, water conditions, soil/bed conditions, shoreline conditions, available attachment locations, dock configuration and climate conditions. There are a few simple rules to follow when determining layout configuration.

Be certain that your installation configuration is designed to accommodate the daily intended use of your EZ Dock Aluminum Gangway. Please take into account the following:

- Commercial application needs
- Public access requirements
- Private docking needs
- Scale of operation and use (size of mooring watercrafts, number of people, amount of walking traffic, etc.)
- Other special considerations affecting your daily use

Be aware of the unique characteristics of the specific body of water and consider how such conditions will affect the installation. Take into account:

- Overall area of the body of water
- Water depth (at the shore and at the furthest point from shore)
- Normal and greatest wave action
- Water level fluctuation
- Shoreline conditions (fixed pier, gravel, mud, abutment, sand, etc.)
- Fresh, brackish, or salt-water
- Normal ice thickness and movement
- Lakebed and soil conditions (sand, rock, mud, etc.)

Usage

Understand and consider installation/performance requirements then evaluate your ability to fulfill them.

- Determine whether your installation will be attended and inspected on a regular basis
- Become acquainted with the normal movement associated with floating structures
- Determine whether you are capable of performing your own installation, or whether it is best to hire a professional

Once you have considered and worked out the issues above, the next step is to select the installation mounting method that is best for you. Since no two installations are ever exactly the same, each and every EZ Dock Aluminum Gangway installation must be designed and configured for the specific and intended application.

- **Attaching Gangway to an EZ Dock:** When installing the EZ Dock Aluminum Gangway on an EZ Dock system, simply use the Hinge to Float Kit (G200360, G200460 and G200560) (refer to the installation Section 1).
- **Attaching Gangway to an Abutment:** When anchoring the EZ Dock Aluminum Gangway to an existing shoreline abutment, simply use the Shoreline Abutment Kit (G200465). This existing abutment could be a stationary/fixed pier, wooden fascia, seawall, etc. (refer to installation Section 2).
- **Attachment Accessories for the EZ Dock Aluminum Gangway:** To provide a safer and more durable gangway system, EZ Dock offers the Roller Kit (300300 and 300400) which allows the gangway to smoothly roll with changing water levels and the Transition Plate (G200350, G200450 and G200550), which provides a safe, smooth walking surface to and from the gangway (refer to installation Section 3 and 4).

1. Hinge to Float Kit Installation

The EZ Dock Aluminum Gangway attaches to new or existing EZ Dock installations using the Hinge to Float Kit (G200360, G200460 and G200560). The Hinge to Float Kit installs in two main parts with each part containing a number of steps. The first part involves attaching the bracket to the dock (Figure 4, 6, and 8), while the last part involves attaching the gangway to the Hinge to Float bracket (Figure 5, 7 and 9).

1A. 40" Hinge to Float Kit Installation - G200360

Part 1: Attach Hinge to Float bracket to the EZ Dock (Figure 4).

- **Step 1:** Place two (2) female hardware connectors (Item 1) in the two EZ Dock dock pockets you want the gangway to be located. Next, insert the carriage bolts (Item 12) in the square holes on the aluminum hinge to gangway angle slide facing out and then hand tighten 1/2" hex nut (Item 11).
- **Step 2:** First, slide in a small hinge insert (Item 4) in the middle of the aluminum hinge to gangway angle slide (Item 3). Next, position the aluminum hinge to gangway angle slide over the female hardware connectors so the holes match up. Screw in two (2) 5/8" hex bolts (Item 2) through the largest hole on the angle slide into the female hardware connector and hand tighten.
- **Step 3:** Remove the 1/2" hex nuts off the carriage bolts. Place j-hook (Item 9) into lower dock pocket and rotate toward the angle slide allowing the carriage bolt through the slotted j-hook hole. Secure with 1/2" ID washer (Item 10) and 1/2" hex nut (Item 11).
- **Step 4:** Tighten all remaining bolts. Slide a small hinge insert (Item 4) on each end of the angle slide spaced approximately 9" from the center hinge insert. Finally, screw in the self-tap aluminum screws (Item 8) into the smallest two holes on the face of the angle slide.

Tools required:

- Ratchet and socket set
- Electric drill
- Screwdrivers (Phillips and standard)
- 15/16" or 24mm socket
- 1/2" or 13mm socket
- Pry-bar (small and large)
- Hammer

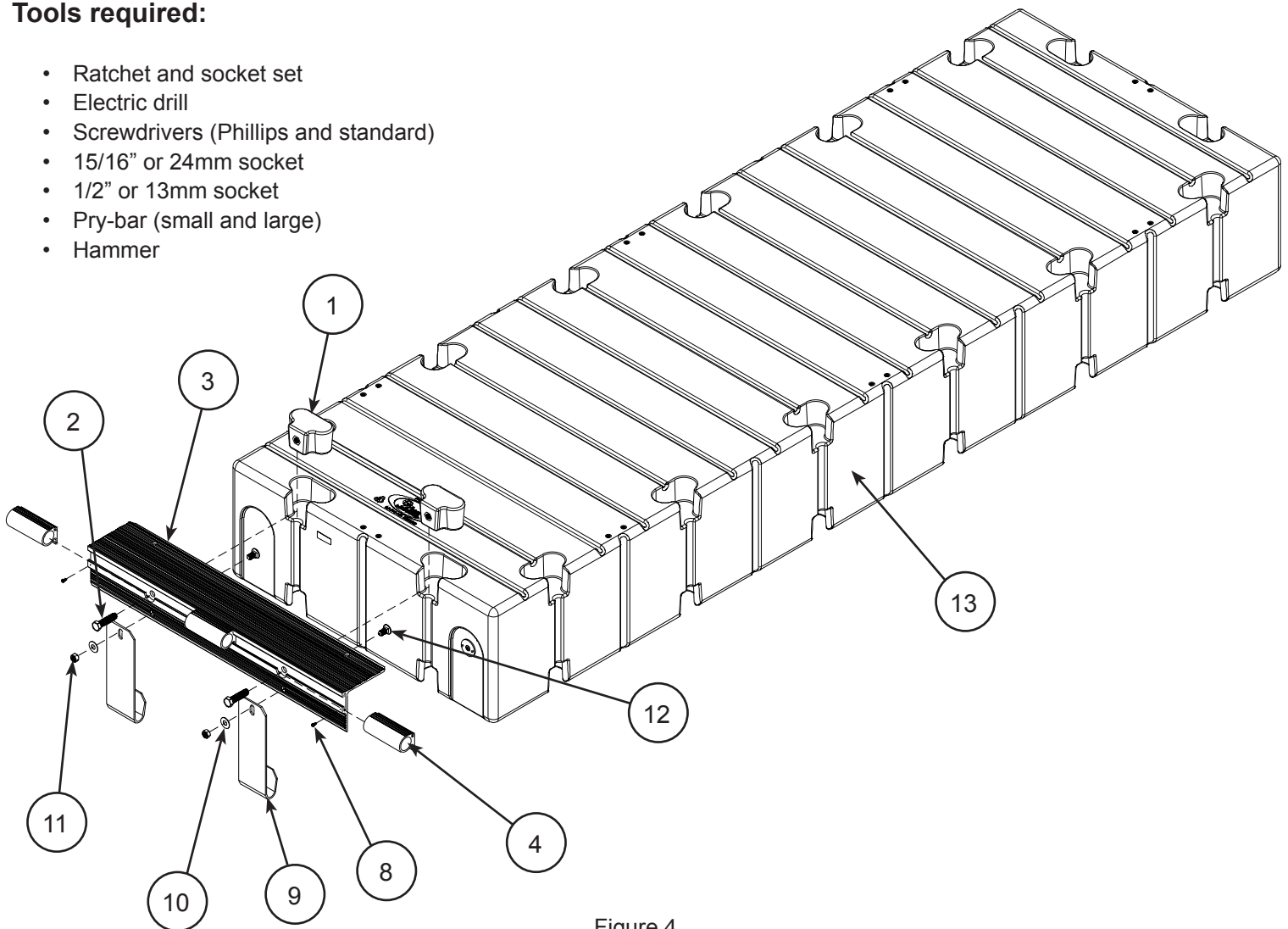


Figure 4.

1A. 40" Hinge to Float Kit Installation - G200360 (Continued)

Part 2: Attach Gangway to Hinge to Float bracket (Figure 5).

- **Step 1:** Insert two (2) large hinge insert (Item 5) in the EZ Dock Aluminum Gangway spaced approximately 5-1/2 inches apart (2-3/4" off center). Once complete, screw in the self-tap aluminum screws (Item 8) into the smallest two holes on the face of the gangway.
- **Step 2:** Insert two (2) universal plugs (Item 7) into the hinge pin (Item 6). Move gangway to float to hinge bracket, aligning the hinge inserts (as seen on page 7) and insert hinge pin.
- **Step 3:** Screw in the remaining two (2) self-tap aluminum screws into the small holes on the hinge pin.

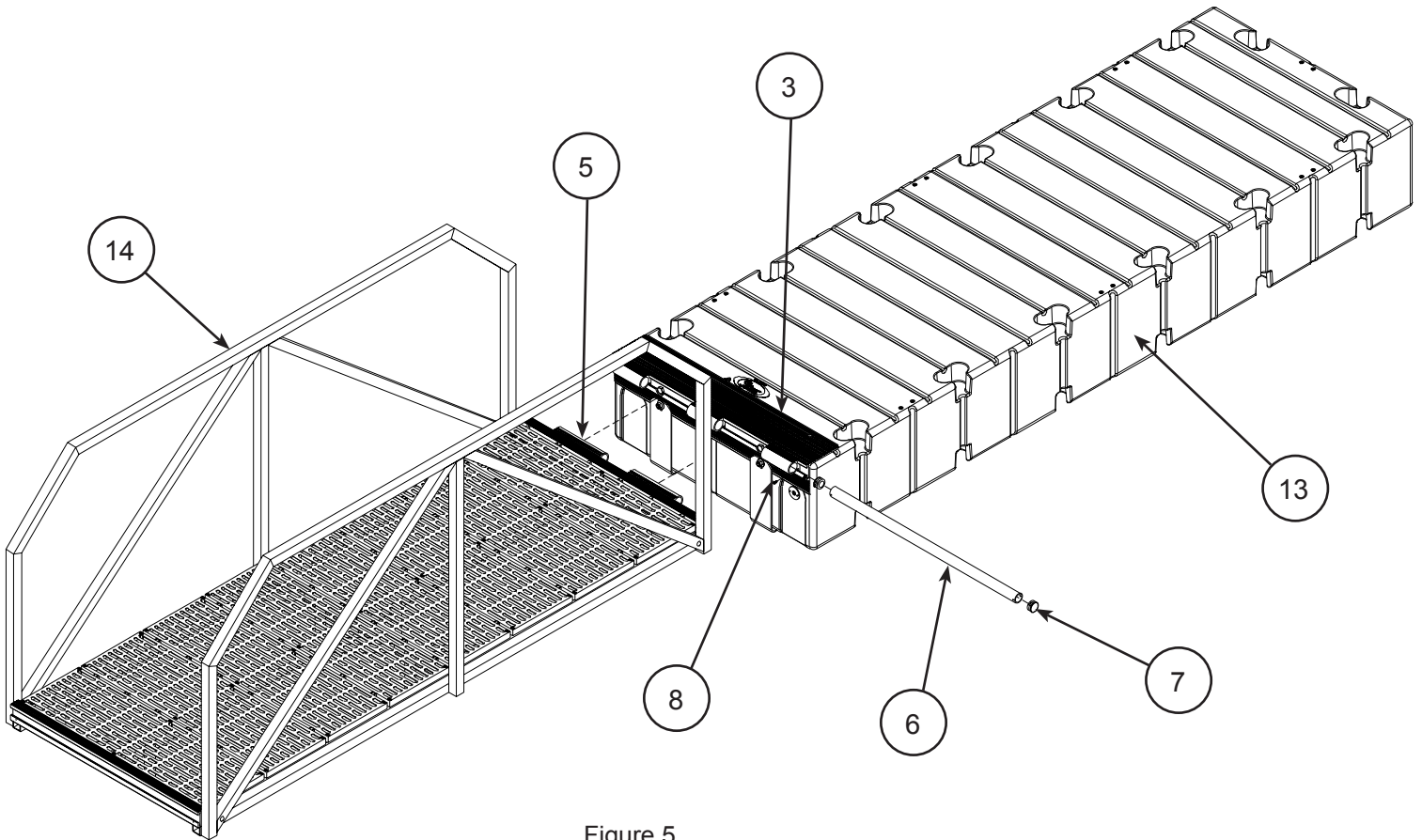


Figure 5.

BILL OF MATERIAL			
ITEM	QTY.	PART NO.	DESCRIPTION
1	2	S21141SS	Female Hardware Connector
2	2	80581SS	Bolt 5/8"-11 x 2" Hex Cap 18-8 SS
3	1	H40348	Hinge to Gangway Angle Slide AL
4	3	H40404	Hinge Insert 5.3125" (Small)
5	2	H40409	Hinge Insert 8.875" (Large)
6	1	H40361	Hinge Pin 36"
7	2	S90000	1-1/2" Universal Plug
8	6	S40014	Self-Tap Aluminum Screw
9	2	H40449	Hanger J-Hook
10	2	82001	1/2" ID Washer SS
11	2	110061	1/2" Hex Nut SS
12	2	80385	Carriage Bolt 1/2"-13 x 1"
13	1	204010	40" x 10' Dock Section
14	1	G100308	3' x 8' Aluminum Gangway

1B. 60" Hinge to Float Kit Installation - G200460

Part 1: Attach Hinge to Float bracket to the EZ Dock (Figure 6).

- **Step 1:** Place three (3) female hardware connectors (Item 1) in the three EZ Dock dock pockets you want the gangway to be located. Next, insert the carriage bolts (Item 12) in the square holes on the aluminum hinge to gangway angle slide facing out and then hand tighten 1/2" hex nut (Item 11).
- **Step 2:** Position aluminum hinge to gangway angle slide (Item 3) over female hardware connectors so the holes match up. Screw in only the middle 5/8" hex bolt (Item 2) through the largest hole on the angle slide into the female hardware connector and hand tighten. Next, slide in a large hinge insert (Item 5) on each side of the of the 5/8" hex cap and position centered approximately 9 inches apart (4 1/2" off center).
- **Step 3:** Screw in the remaining 5/8" hex bolts into the two outside holes on the angle slide until hand tight.
- **Step 4:** Remove 1/2" hex nut off carriage bolt. Place j-hook (Item 9) into lower dock pocket and rotate toward the angle slide allowing the carriage bolt through the slotted j-hook hole. Secure with 1/2" ID washer (Item 10) and 1/2" hex nut (Item 11).
- **Step 5:** Tighten all remaining bolts. Slide a small hinge insert (Item 4) on each end of the angle slide. Finally, screw in the self-tap aluminum screws (Item 8) into the smallest two holes on the face of the angle slide.

Tools required:

- Ratchet and socket set
- Electric drill
- Screwdrivers (Phillips and standard)
- 15/16" or 24mm socket
- 1/2" or 13mm socket
- Pry-bar (small and large)
- Hammer

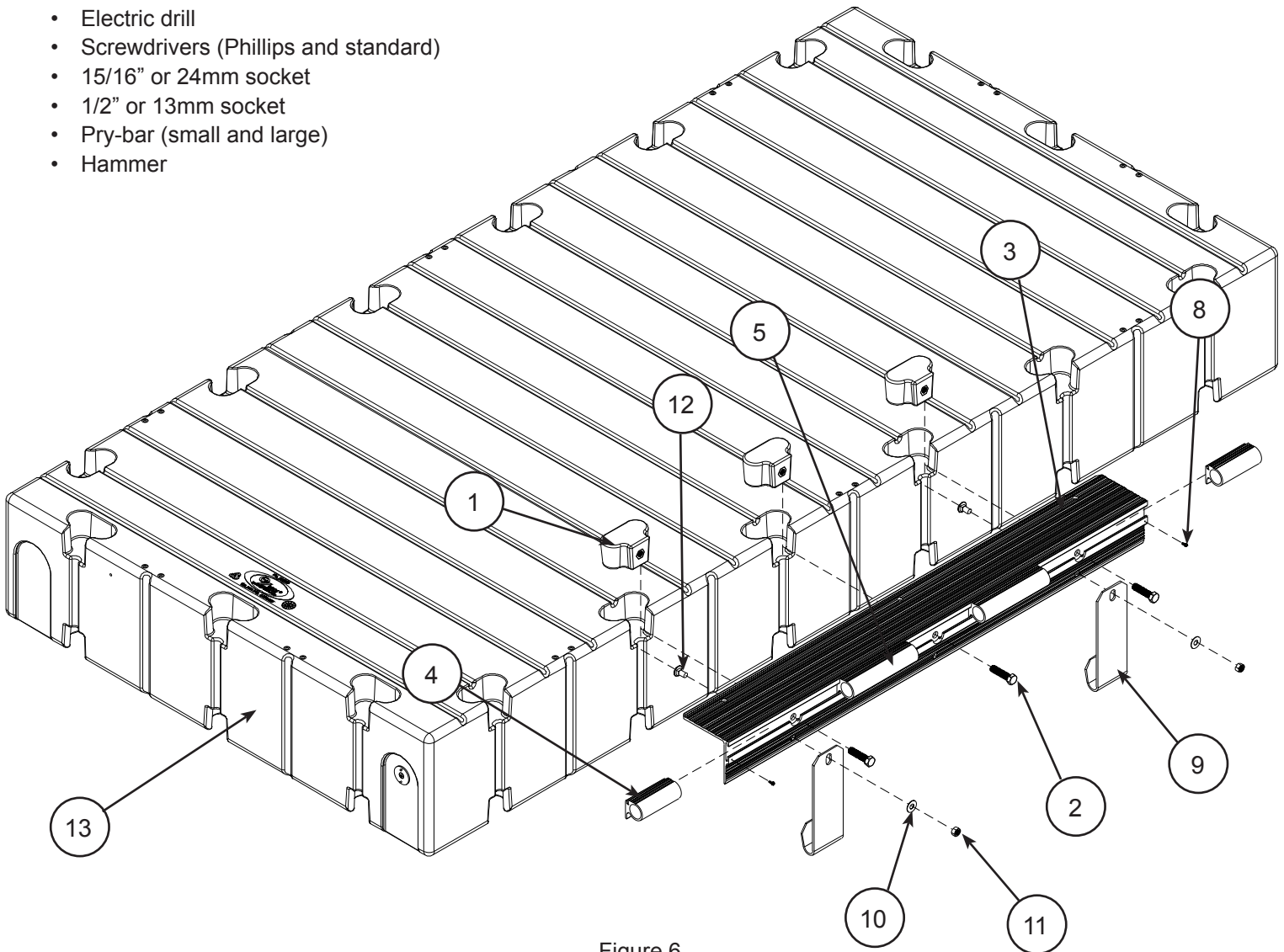


Figure 6.

1B. 60" Hinge to Float Kit Installation - G200460 (Continued)

Part 2: Attach Gangway to Hinge to Float bracket (Figure 7).

- **Step 1:** Insert three (3) large hinge inserts (Item 5) in the EZ Dock Aluminum Gangway spaced approximately 9 inches apart. Once complete, screw in the self-tap aluminum screws (Item 8) into the smallest two holes on the face of the gangway.
- **Step 2:** Insert two (2) universal plugs (Item 7) into the hinge pin (Item 6). Move gangway to float to hinge bracket, aligning the hinge inserts (as seen on page 7) and insert hinge pin.
- **Step 3:** Screw in the remaining two (2) self-tap aluminum screws into the small holes on the hinge pin.

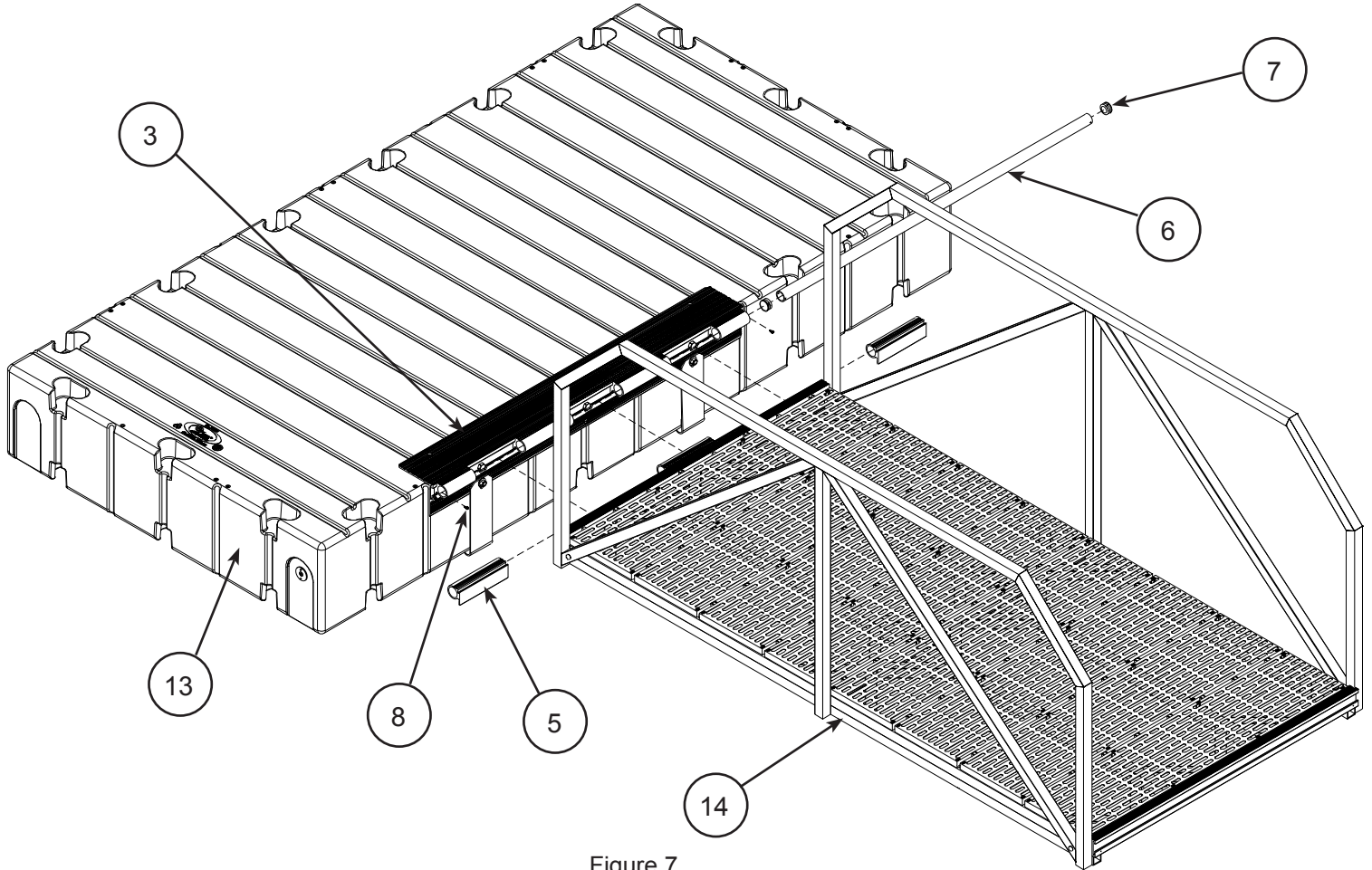


Figure 7.

BILL OF MATERIAL			
ITEM	QTY.	PART NO.	DESCRIPTION
1	3	S21141SS	Female Hardware Connector
2	3	80581SS	Bolt 5/8"-11 x 2" Hex Cap 18-8 SS
3	1	H40448	Hinge to Gangway Angle Slide AL
4	2	H40404	Hinge Insert 5.3125" (Small)
5	5	H40409	Hinge Insert 8.875" (Large)
6	1	H40460	Hinge Pin 56.75"
7	2	S90000	1-1/2" Universal Plug
8	6	S40014	Self-Tap Aluminum Screw
9	2	H40449	Hanger J-Hook
10	2	82001	1/2" ID Washer SS
11	2	110061	1/2" Hex Nut SS
12	2	80385	Carriage Bolt 1/2"-13 x 1"
13	1	206010	60" x 10' Dock Section
14	1	G100408	4' x 8' Aluminum Gangway

1C. 80" Hinge to Float Kit Installation - G200560

Part 1: Attach Hinge to Float bracket to the EZ Dock (Figure 8).

- **Step 1:** Place four (4) female hardware connectors (Item 1) in the four EZ Dock dock pockets you want the gangway to be located. Next, insert the carriage bolts (Item 12) in the square holes on the aluminum hinge to gangway angle slide facing out and then hand tighten 1/2" hex nut (Item 11).
- **Step 2:** First, slide in two (2) small hinge inserts (Item 4) in the middle of the aluminum hinge to gangway angle slide (Item 3) so they are touching. Next, slide a large hinge insert (Item 5) on each end of the angle slide spaced approximately 5-1/2 inches from the small hinge inserts.
- **Step 3:** Position the aluminum hinge to gangway angle slide over the female hardware connectors so the holes match up. Screw in four (4) 5/8" hex bolts (Item 2) through the largest hole on the angle slide into the female hardware connector and hand tighten.
- **Step 4:** Remove 1/2" hex nut off carriage bolt. Place j-hook (Item 9) into lower dock pocket and rotate toward the angle slide allowing the carriage bolt through the slotted j-hook hole. Secure with 1/2" ID washer (Item 10) and 1/2" hex nut (Item 11).
- **Step 5:** Tighten all remaining bolts. Slide a large hinge insert (Item 5) on each end of the angle slide approximately 5-1/2 inches from small hinge insert. Finally, screw in the self-tap aluminum screws (Item 8) into the smallest two holes on the face of the angle slide.

Tools required:

- Ratchet and socket set
- Electric drill
- Screwdrivers (Phillips and standard)
- 15/16" or 24mm socket
- 1/2" or 13mm socket
- Pry-bar (small and large)
- Hammer

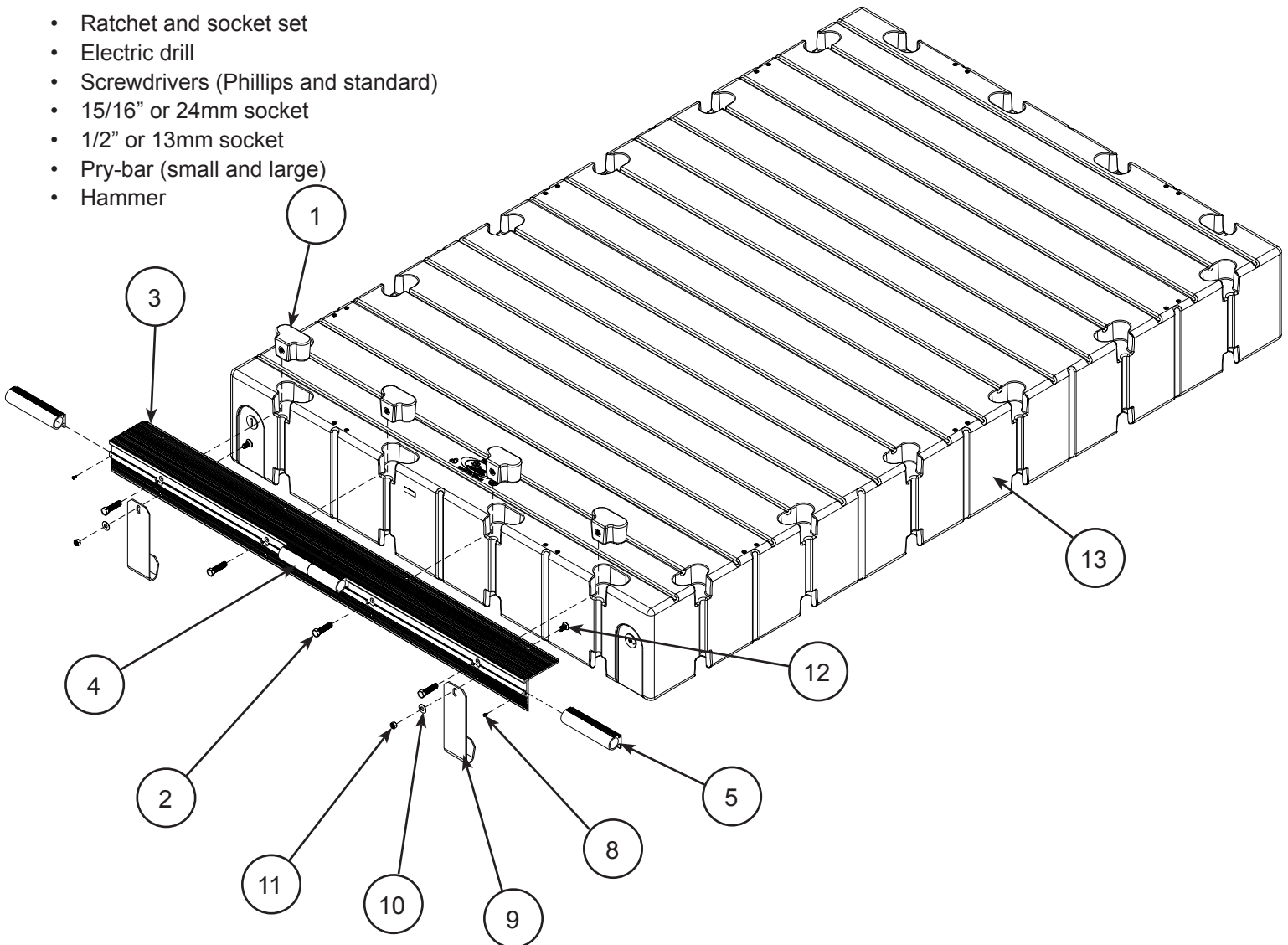


Figure 8.

1C. 80" Hinge to Float Kit Installation - G200560 (Continued)

Part 2: Attach Gangway to Hinge to Float bracket (Figure 9).

- **Step 1:** Insert two (2) small hinge inserts (Item 4) in the center of the EZ Dock Aluminum Gangway spaced approximately 11 inches apart (5-1/2" off center).
- **Step 2:** Insert two (2) large hinge inserts (Item 5) in each end of the EZ Dock Aluminum Gangway spaced approximately 9" from the small hinge inserts. Once complete, screw in the self-tap aluminum screws (Item 8) into the smallest two holes on the face of the gangway.
- **Step 3:** Insert two (2) universal plugs (Item 7) into the hinge pin (Item 6). Move gangway to float to hinge bracket, aligning the hinge inserts (as seen on page 7) and insert hinge pin.
- **Step 4:** Screw in the remaining two (2) self-tap aluminum screws into the small holes on the hinge pin.

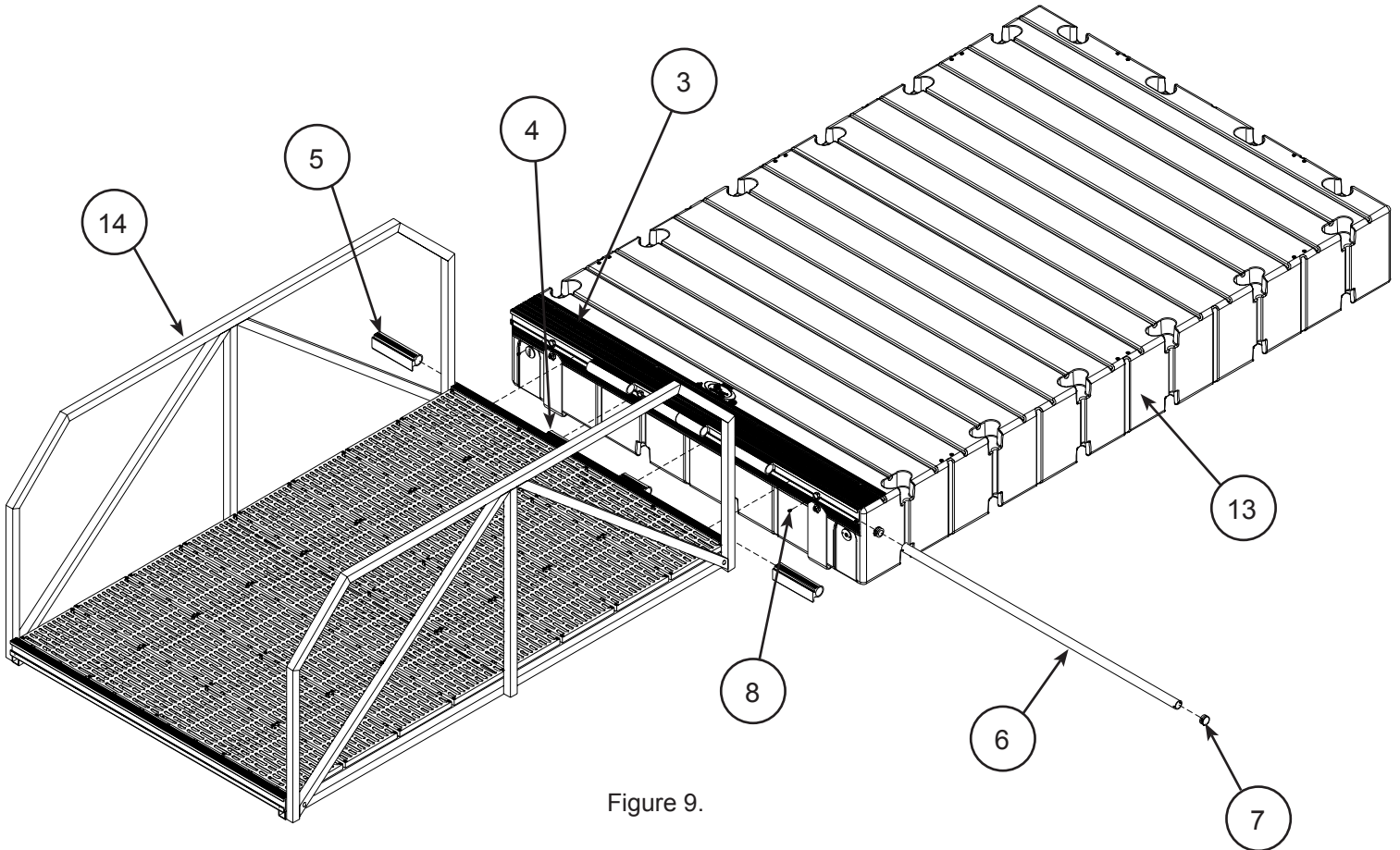


Figure 9.

BILL OF MATERIAL			
ITEM	QTY.	PART NO.	DESCRIPTION
1	4	S21141SS	Female Hardware Connector
2	4	80581SS	Bolt 5/8"-11 x 2" Hex Cap 18-8 SS
3	1	H40548	Hinge to Gangway Angle Slide AL
4	4	H40404	Hinge Insert 5.3125" (Small)
5	4	H40409	Hinge Insert 8.875" (Large)
6	1	H40561	Hinge Pin 60.5"
7	2	S90000	1-1/2" Universal Plug
8	6	S40014	Self-Tap Aluminum Screw
9	2	H40449	Hanger J-Hook
10	2	82001	1/2" ID Washer SS
11	2	110061	1/2" Hex Nut SS
12	2	80385	Carriage Bolt 1/2"-13 x 1"
13	1	208010	80" x 10' Dock Section
14	1	G100508	5' x 8' Aluminum Gangway

2. Shoreline Abutment Kit Installation

The EZ Dock Aluminum Gangway can also attach to a fixed abutment using the Shoreline Abutment Kit (G200465). This kit allows the gangway to move freely on top of your EZ Dock while being attached to an abutment such as a stationary/fixed pier, wooden fascia, seawall, etc. The Shoreline Abutment Kit installs in two main parts with each part containing a number of steps. The first part involves attaching the bracket to the abutment (Figure 10), while the last part involves attaching the gangway to the Shoreline Abutment bracket (Figure 11).

Note: A roller kit must be used when placing a gangway on the walking surface of an EZ Dock dock section (see Section 4).

2A. 60" Shoreline Abutment Kit Installation - G200465

Part 1: Attach Shoreline Abutment bracket to abutment (Figure 10).

- **Step 1:** Position hinge to gangway angle slide (Item 1) at desired location on abutment (Item 9) and anchor with six (6) lag bolts (Item 8). When attaching to concrete, concrete anchors must be used. **Lag bolts sold separately.**
- **Step 2:** Slide in two (2) large hinge inserts (Item 3) into the hinge to gangway angle slide and position centered approximately 9 inches apart (4 1/2" off center).
- **Step 3:** Slide in two (2) small hinge inserts (Item 2) on each end of the hinge to gangway angle slide and position approximately 1 inch from the end of the hinge to gangway angle slide.
- **Step 4:** Finally, screw in two (2) self-tap aluminum screws (Item 6) into the smallest two holes on the face of the hinge to gangway angle slide.

Tools required:

- Ratchet and socket set
- Electric drill (hammer drill when attaching to concrete)
- Screwdrivers (Phillips and standard)
- Socket Set
- Drill bits (masonry bits for concrete)
- Pry-bar (small and large)
- Hammer (rubber mallet)
- Wrenches

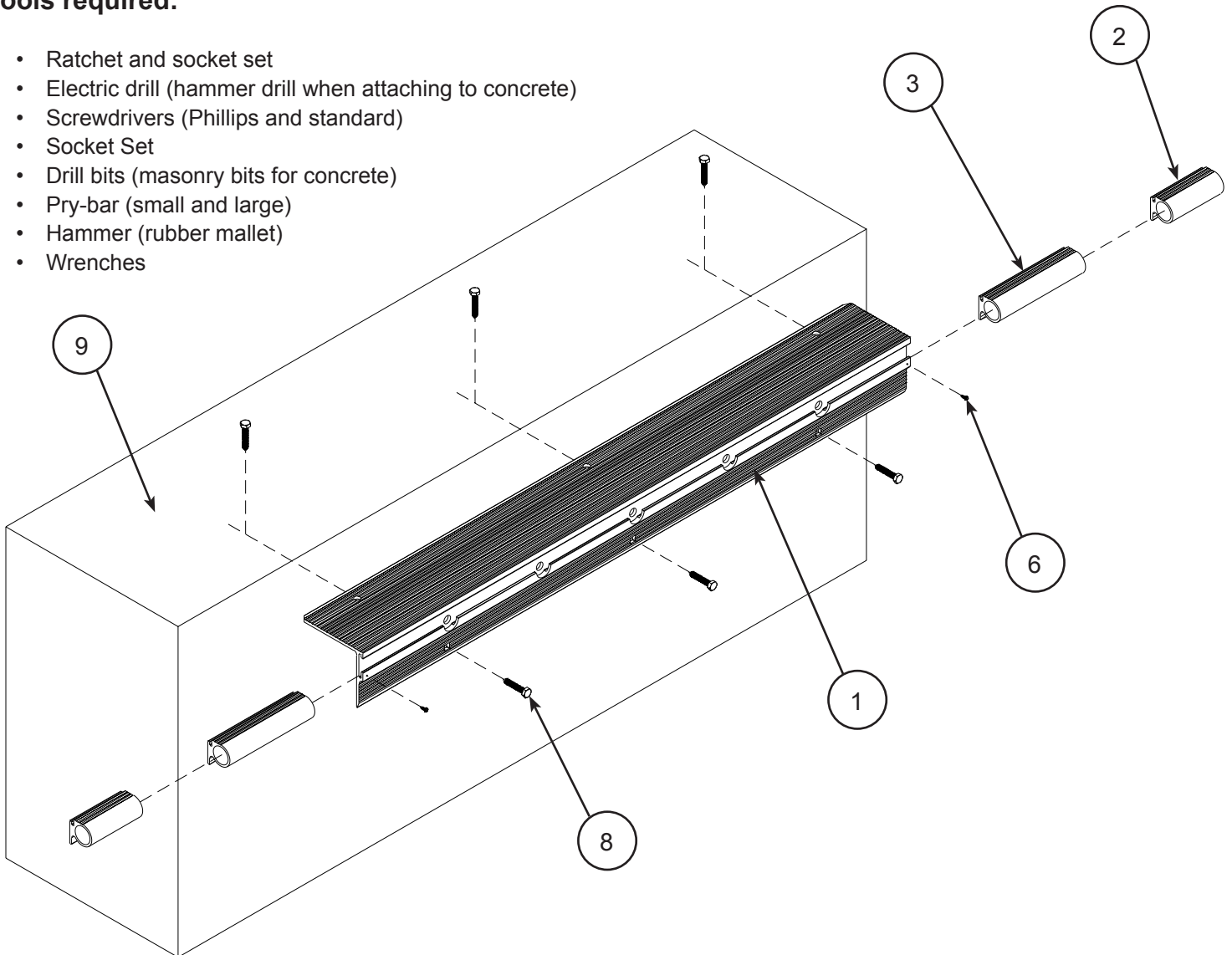


Figure 10.

2A. 60" Shoreline Abutment Kit Installation - G200465 (Continued)

Part 2: Attach Gangway to Shoreline Abutment bracket (Figure 11).

- **Step 1:** Insert three (3) large hinge inserts (Item 3) in the EZ Dock Aluminum Gangway spaced approximately 9 inches apart. Once complete, screw in two (2) self-tap aluminum screws (Item 6) into the smallest two holes on the face of the gangway.
- **Step 2:** Insert two (2) universal plugs (Item 5) into the hinge pin (Item 4). Move gangway to shoreline abutment bracket, aligning the hinge inserts (as seen on page 8) and insert hinge pin.
- **Step 3:** Screw in the remaining two (2) self-tap aluminum screws into the small holes on the hinge pin.

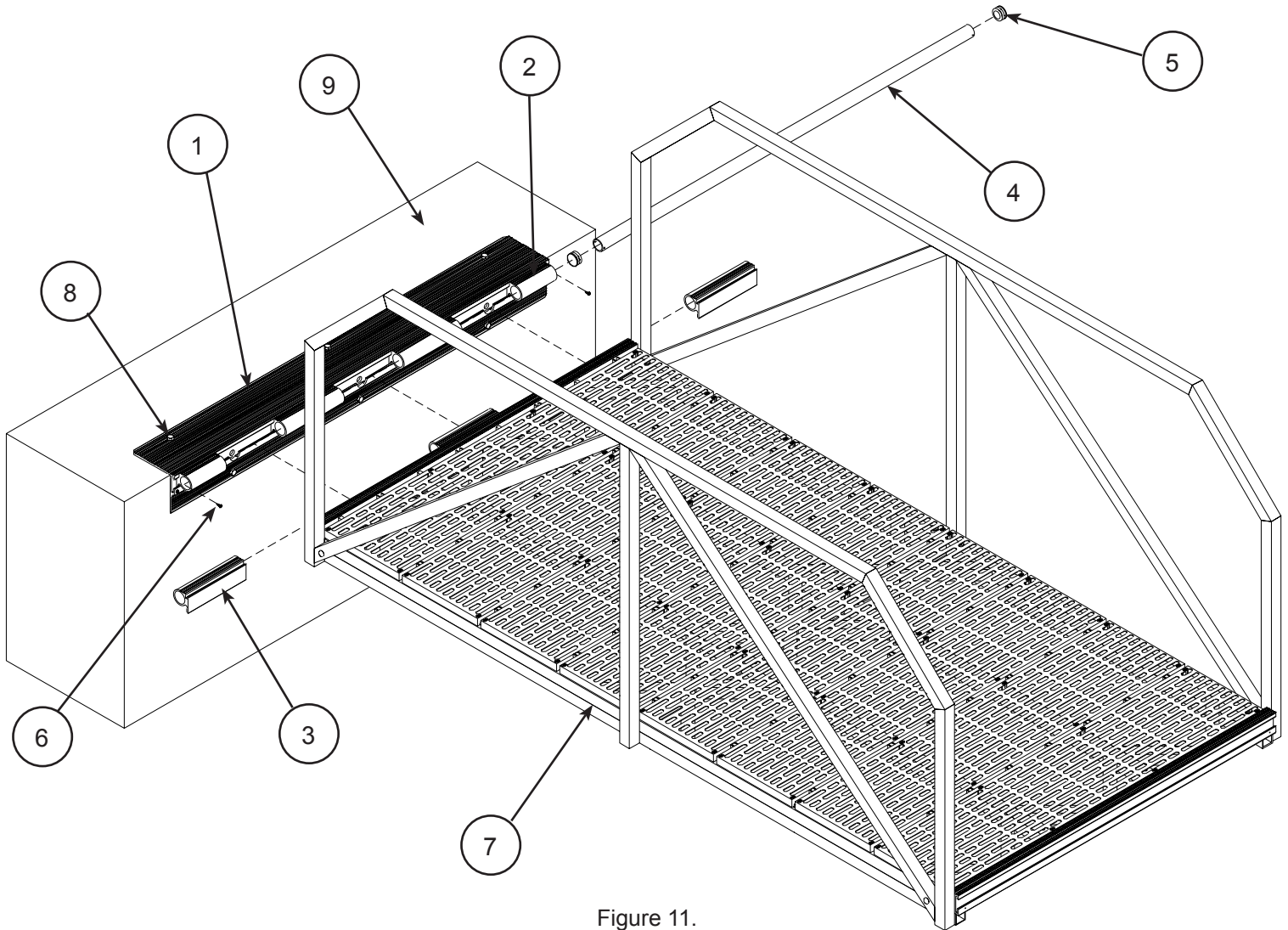


Figure 11.

BILL OF MATERIAL			
ITEM	QTY.	PART NO.	DESCRIPTION
1	1	H40448	Hinge to Gangway Angle Slide AL
2	5	H40404	Hinge Insert 5.3125" (Small)
3	2	H40409	Hinge Insert 8.875" (Large)
4	1	H40460	Hinge Pin 56.75"
5	2	S90000	1-1/2" Universal Plug
6	6	S40014	Self-Tap Aluminum Screw
7	1	G100408	4' x 8' Aluminum Gangway
8	6	N/A	Lag Bolt
9	1	N/A	Abutment

3. Transition Plate Kit Installation

For most applications it is recommended that a Transition Plate Kit (G200350, G200450 and G200550) is used with an EZ Dock Aluminum Gangway. The transition plate attaches directly to an EZ Dock Aluminum Gangway on either the dock or shore end and provides safe, smooth access to and from the gangway on a skid-resistant surface. The first step of the Transition Plate Kit assembly involves attaching the ThruFlow™ decking panels to the transition plate base (Figure 12, 14 and 16) while the second step attaches the transition plate to the EZ Dock Aluminum Gangway (Figure 13, 15 and 17).

3A. 3' Transition Plate Kit Installation - G200350

Part 1: Attach ThruFlow™ decking to Transition Plate Base (Figure 12).

- **Step 1:** Position first 3' x 1' ThruFlow™ decking panel (Item 2) in the aluminum base (Item 1) and slide decking panel so interlocking tabs are under the aluminum lip on the entry end of the aluminum base.
- **Step 2:** Place second decking panel in aluminum base.
- **Step 3:** Screw in nine (9) stainless steel decking screws (Item 8) on the three rows farthest from the entry end of the transition plate.

Note: The first row (closest to the entry end) will be held down by the interlocking tabs under the aluminum lip and should not have screws used on it.

Tools required:

- Screwdrivers (Phillips and standard)
- Pry-bar (small and large)
- Hammer (rubber mallet)
- Electric drill

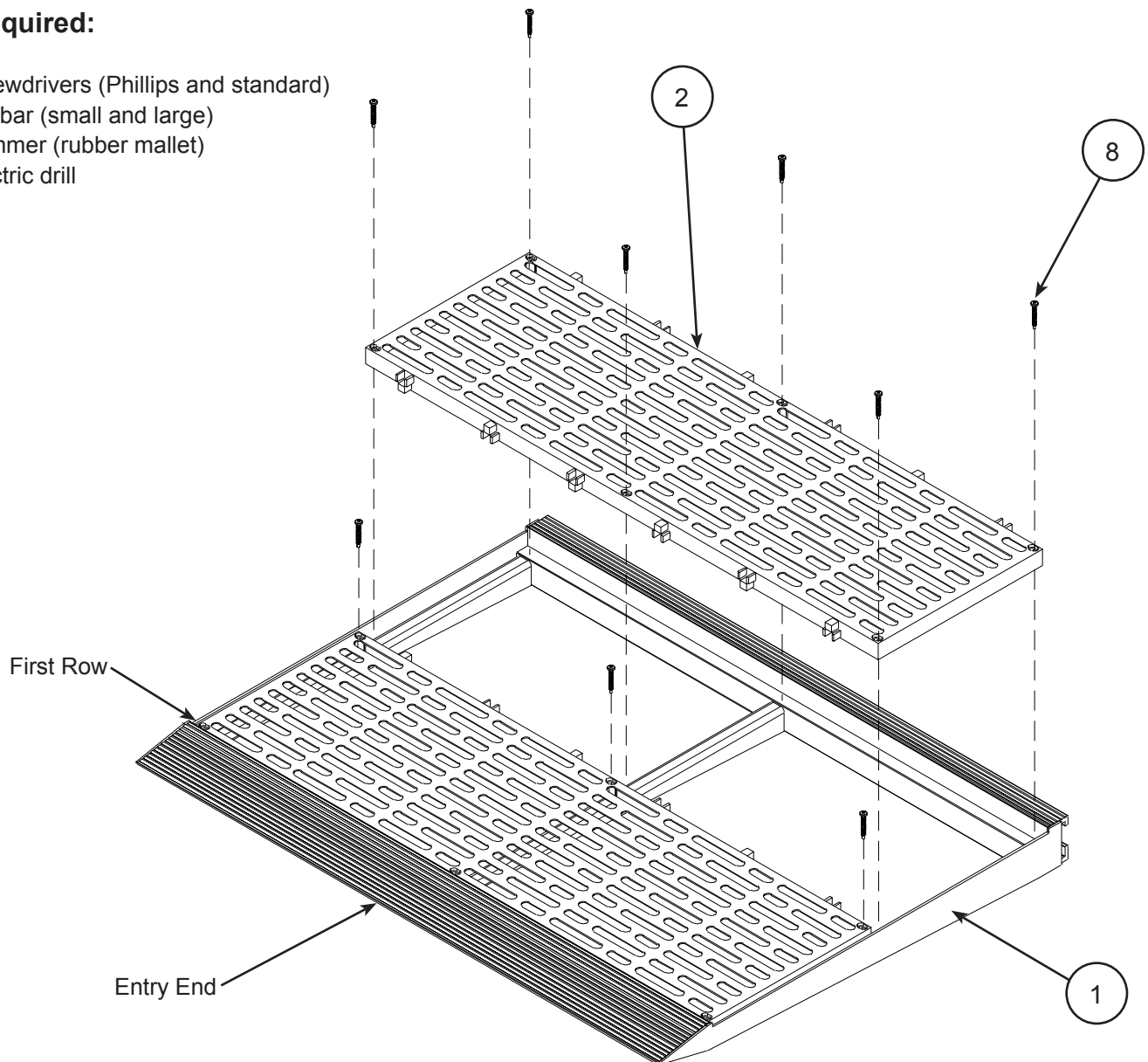


Figure 12.

3A. 3' Transition Plate Kit Installation - G200350 (Continued)

Part 2: Attach Transition Plate to Aluminum Gangway (Figure 13).

- **Step 1:** Insert two (2) large hinge inserts (Item 4) in the EZ Dock Aluminum Gangway spaced approximately 5-1/2 inches apart (2-3/4" off center). Once complete, screw in two (2) self-tap aluminum screws (Item 7) into the smallest two holes on the face of the gangway.
- **Step 2:** Insert three (3) small hinge inserts (Item 3) in the 3' Transition Plate spaced approximately 9 inches apart. Once complete, screw in two (2) self-tap aluminum screws (Item 7) into the smallest two holes on the face of the aluminum base.
- **Step 3:** Insert two (2) universal plugs (Item 6) into the hinge pin (Item 5). Move transition plate to gangway, aligning the hinge inserts (as seen on page 8) and insert hinge pin.
- **Step 4:** Screw in the remaining two (2) self-tap aluminum screws into the small holes on the hinge pin.

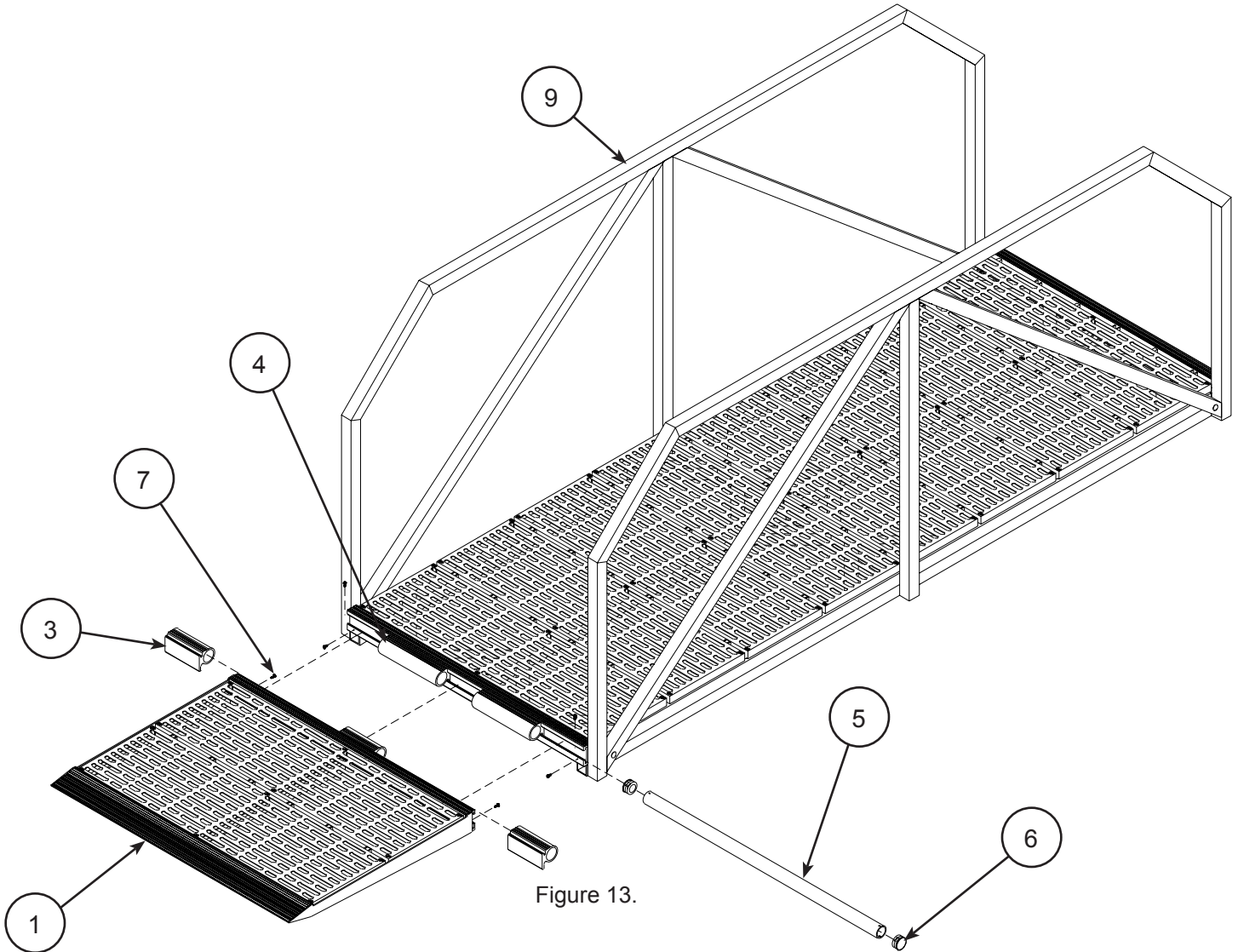


Figure 13.

BILL OF MATERIAL			
ITEM	QTY.	PART NO.	DESCRIPTION
1	1	H40352-0	3' Aluminum Transition Plate Frame
2	2	H40331	Decking Panel ThruFlow™ Beige 3' x 1'
3	3	H40404	Hinge Insert 5.3125" (Small)
4	2	H40409	Hinge Insert 8.875" (Large)
5	1	H40361	Hinge Pin 36"
6	2	S90000	1-1/2" Universal Plug
7	6	S40014	Self-Tap Aluminum Screw
8	1	H40015	Decking Screw SS (Kit of 36)
9	1	G100308	3' x 8' Aluminum Gangway

3B. 4' Transition Plate Kit Installation - G200450

Part 1: Attach ThruFlow™ decking to Transition Plate Base (Figure 14).

- **Step 1:** Position first 4' x 1' ThruFlow™ decking panel (Item 2) in the aluminum base (Item 1) and slide decking panel so interlocking tabs are under the aluminum lip on the entry end of the aluminum base.
- **Step 2:** Place second decking panel in aluminum base.
- **Step 3:** Screw in twelve (12) stainless steel decking screws (Item 8) on the three rows farthest from the entry end of the transition plate.

Note: The first row (closest to the entry end) will be held down by the interlocking tabs under the aluminum lip and should not have screws used on it.

Tools required:

- Screwdrivers (Phillips and standard)
- Pry-bar (small and large)
- Hammer (rubber mallet)
- Electric drill

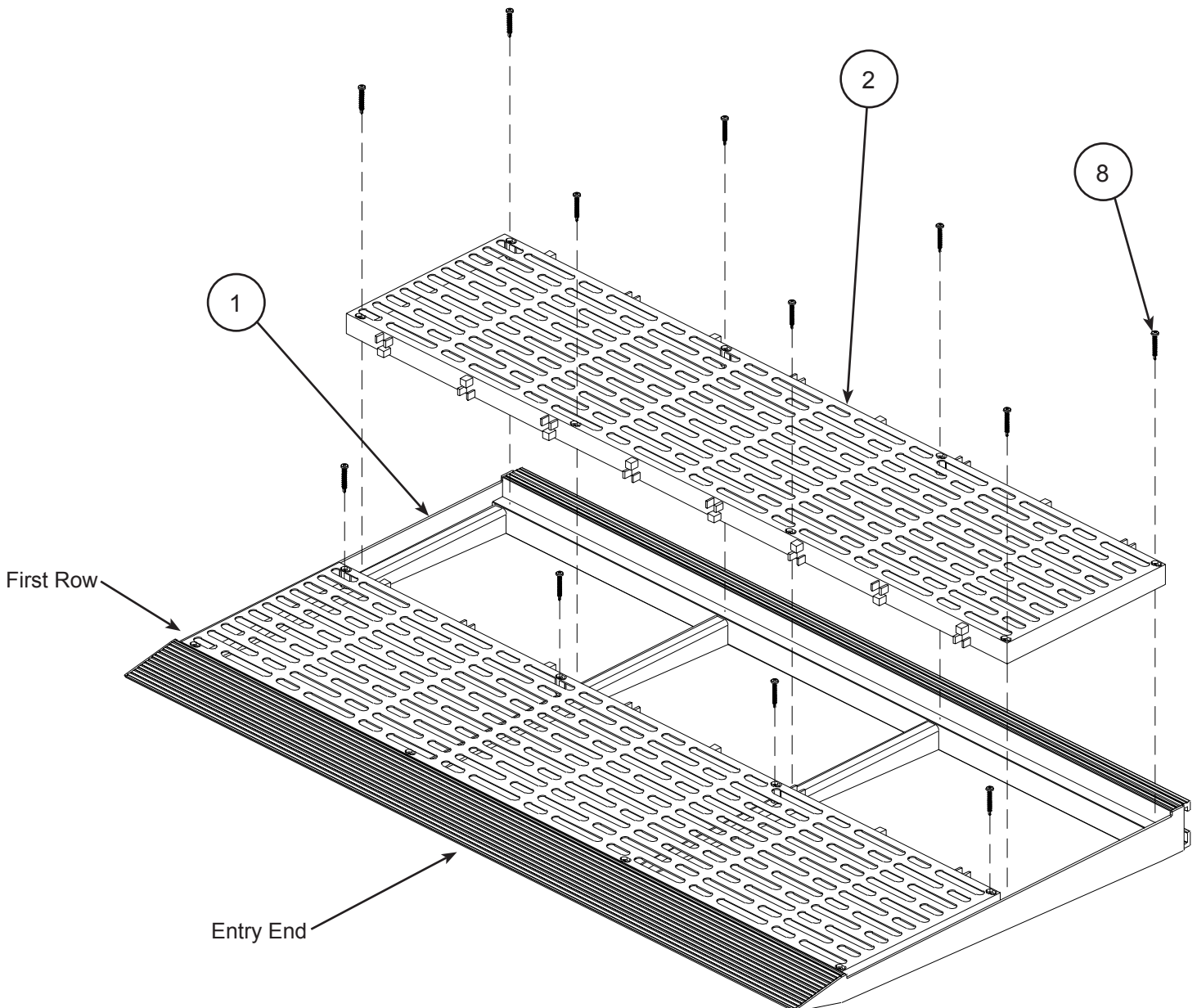


Figure 14.

3B. 4' Transition Plate Kit Installation - G200450 (Continued)

Part 2: Attach Transition Plate to Aluminum Gangway (Figure 15).

- **Step 1:** Insert two (2) large hinge inserts (Item 4) and one small hinge insert (Item 3) in the EZ Dock Aluminum Gangway spaced approximately 6 inches apart with the small hinge insert in the middle. Once complete, screw in two (2) self-tap aluminum screws (Item 7) into the smallest two holes on the face of the gangway.
- **Step 2:** Insert four (4) small hinge inserts (Item 3) in the 4' Transition Plate with the middle two spaced approximately 5-1/2 inches apart (2-3/4" off center) while the outside two approximately 9 inches from the center hinge inserts. Once complete, screw in two (2) self-tap aluminum screws (Item 7) into the smallest two holes on the face of the aluminum base.
- **Step 3:** Insert two (2) universal plugs (Item 6) into the hinge pin (Item 5). Move transition plate to gangway, aligning the hinge inserts (as seen on page 8) and insert hinge pin.
- **Step 4:** Screw in the remaining two (2) self-tap aluminum screws into the small holes on the hinge pin.

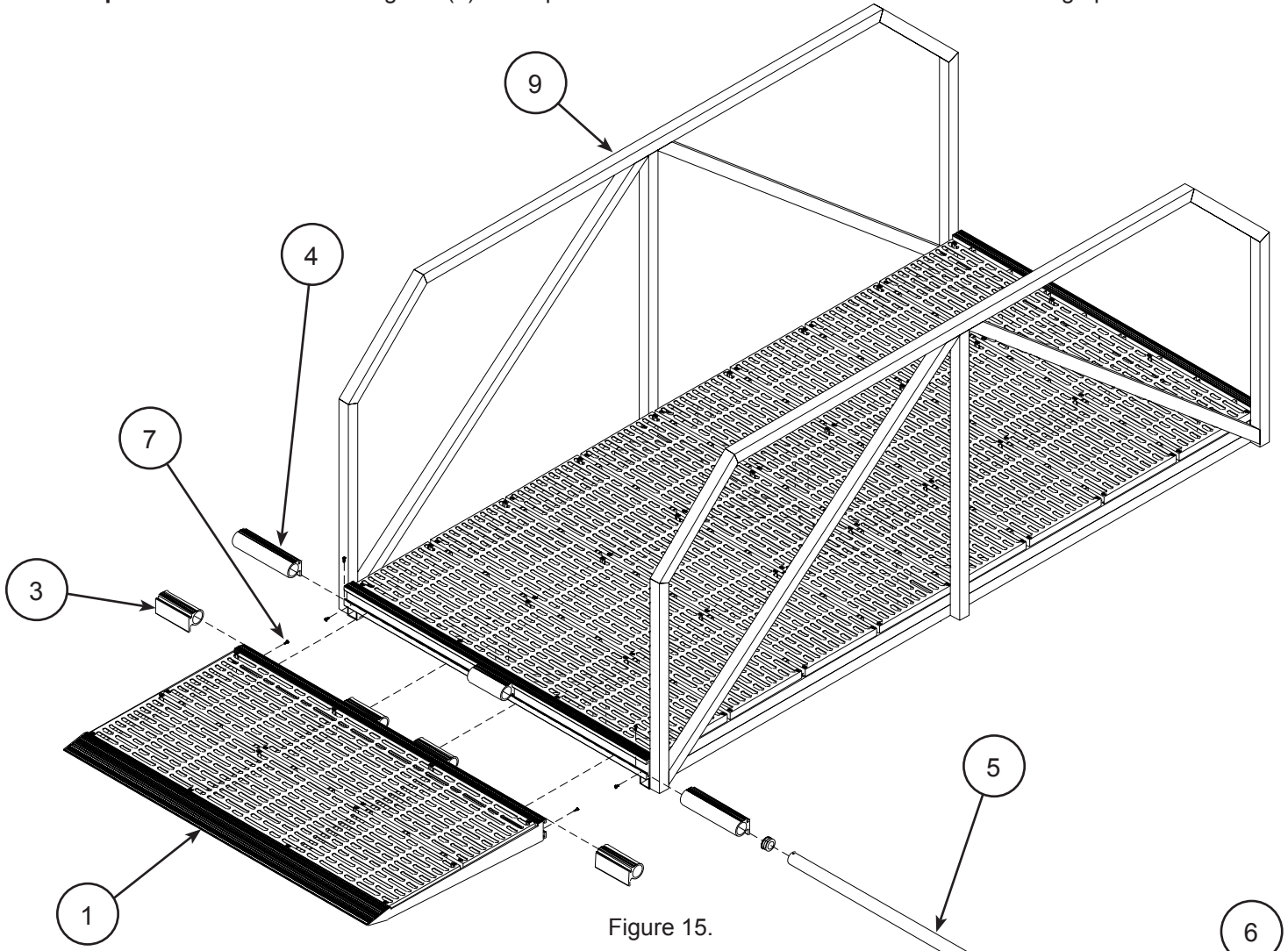


Figure 15.

BILL OF MATERIAL			
ITEM	QTY.	PART NO.	DESCRIPTION
1	1	H40452-0	4' Aluminum Transition Plate Frame
2	2	H40441	Decking Panel ThruFlow™ Beige 4' x 1'
3	5	H40404	Hinge Insert 5.3125" (Small)
4	2	H40409	Hinge Insert 8.875" (Large)
5	1	H40461	Hinge Pin 47.25"
6	2	S90000	1-1/2" Universal Plug
7	6	S40014	Self-Tap Aluminum Screw
8	1	H40015	Decking Screw SS (Kit of 36)
9	1	G100408	4' x 8' Aluminum Gangway

3C. 5' Transition Plate Kit Installation - G200550

Part 1: Attach ThruFlow™ decking to Transition Plate Base (Figure 16).

- **Step 1:** Position first 5' x 1' ThruFlow™ decking panel (Item 2) in the aluminum base (Item 1) and slide decking panel so interlocking tabs are under the aluminum lip on the entry end of the aluminum base.
- **Step 2:** Place remaining two (2) decking panels in aluminum base.
- **Step 3:** Screw in twenty five (25) stainless steel decking screws (Item 8) on the five rows farthest from the entry end of the transition plate.

Note: The first row (closest to the entry end) will be held down by the interlocking tabs under the aluminum lip and should not have screws used on it.

Tools required:

- Screwdrivers (Phillips and standard)
- Pry-bar (small and large)
- Hammer (rubber mallet)
- Electric drill

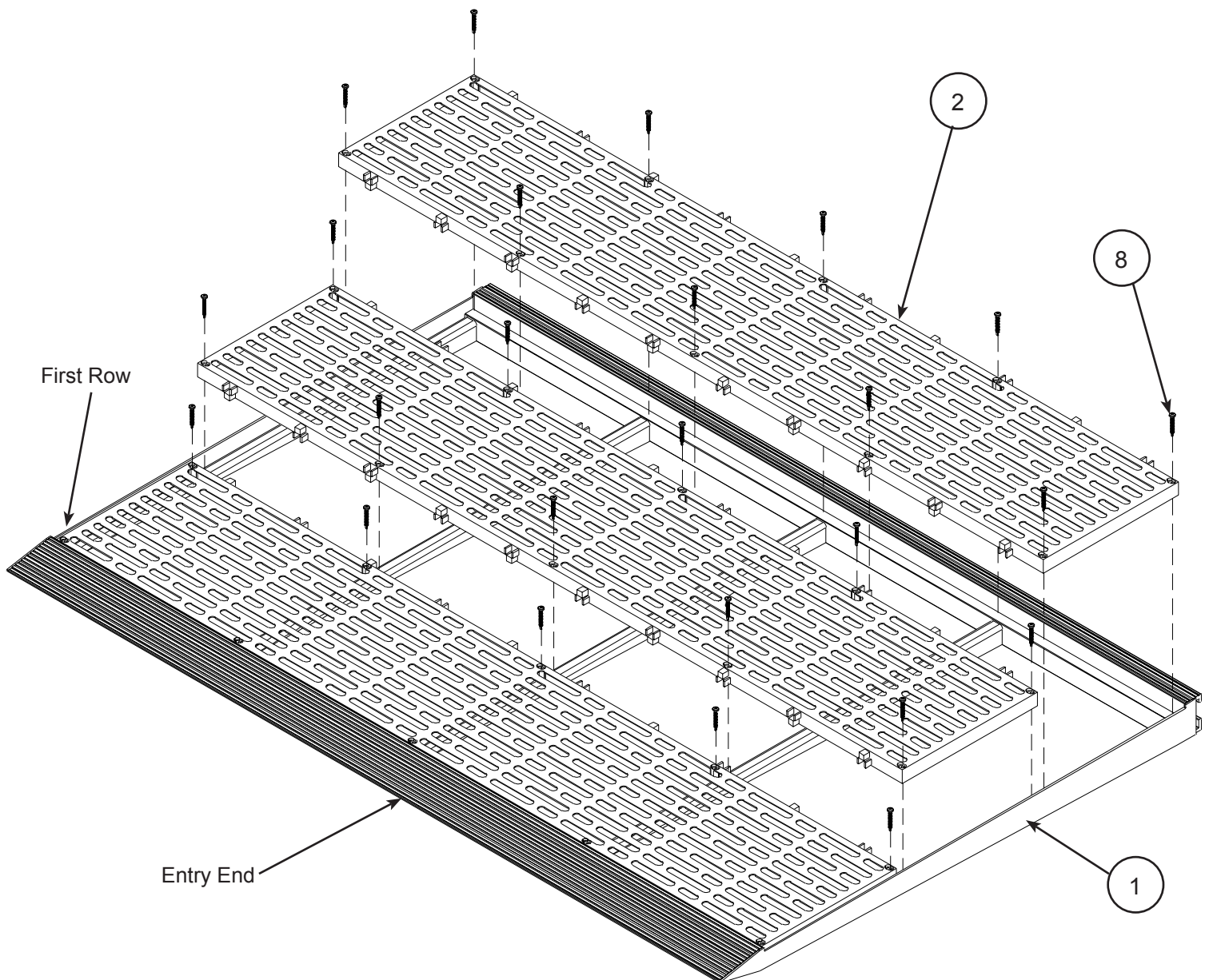


Figure 16.

3C. 5' Transition Plate Kit Installation - G200550 (Continued)

Part 2: Attach Transition Plate to Aluminum Gangway (Figure 17).

- **Step 1:** Insert two (2) large hinge inserts (Item 4) and one small hinge insert (Item 3) in the EZ Dock Aluminum Gangway spaced approximately 9 inches apart with the small hinge insert in the middle. Once complete, screw in two (2) self-tap aluminum screws (Item 7) into the smallest two holes on the face of the gangway.
- **Step 2:** Insert four (4) large hinge inserts (Item 4) in the 5' Transition Plate with the middle two spaced approximately 5-1/2 inches apart (2-3/4" off center) with the two outside hinge insert spaced 9 inches from the middle two hinge inserts. Once complete, screw in two (2) self-tap aluminum screws (Item 7) into the smallest two holes on the face of the aluminum base.
- **Step 3:** Insert two (2) universal plugs (Item 6) into the hinge pin (Item 5). Move transition plate to gangway, aligning the hinge inserts (as seen on page 8) and insert hinge pin.
- **Step 4:** Screw in the remaining two (2) self-tap aluminum screws into the small holes on the hinge pin.

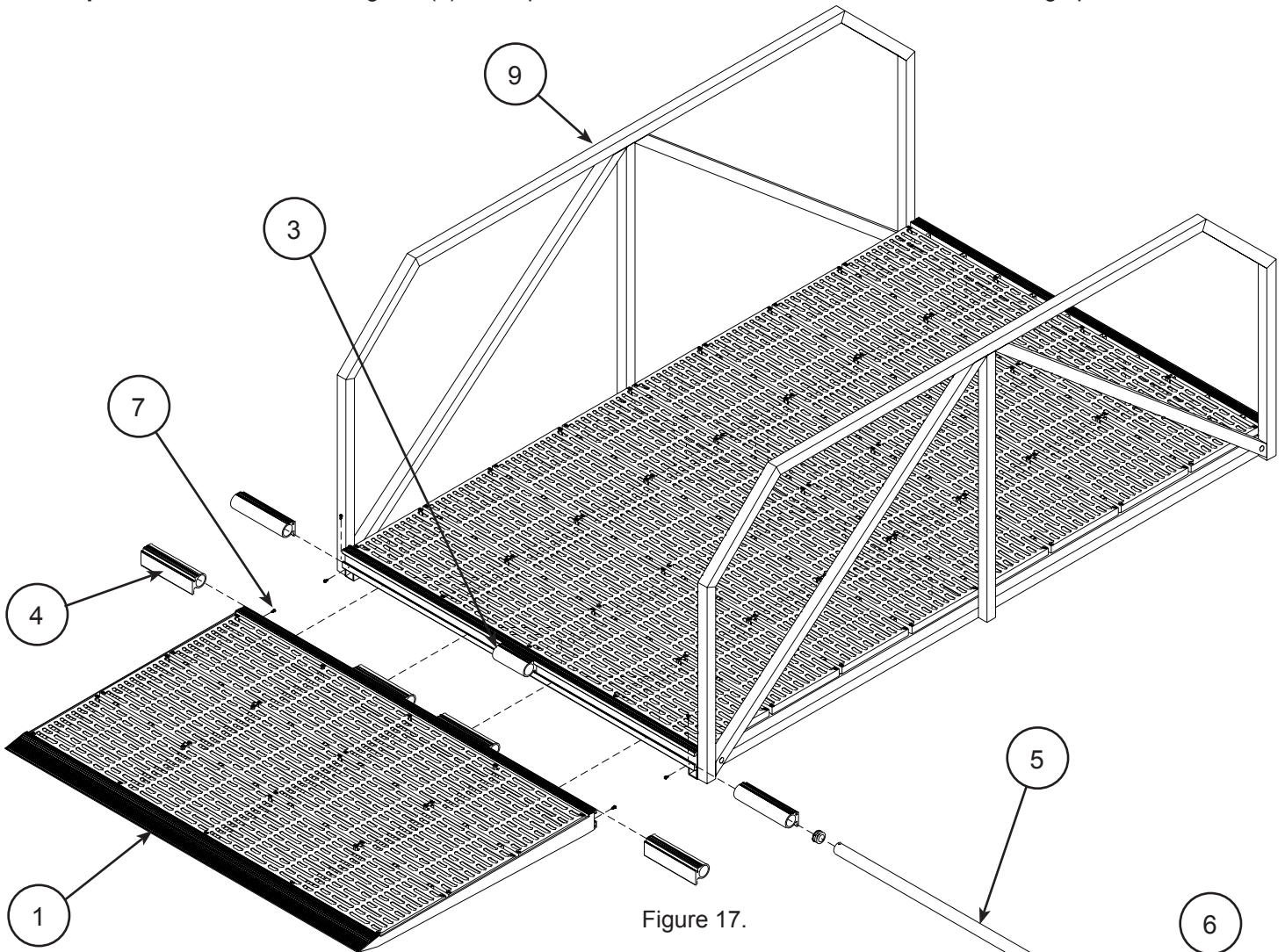


Figure 17.

BILL OF MATERIAL			
ITEM	QTY.	PART NO.	DESCRIPTION
1	1	H40552-0	5' Aluminum Transition Plate Frame
2	3	H40551	Decking Panel ThruFlow™ Beige 5' x 1'
3	1	H40404	Hinge Insert 5.3125" (Small)
4	6	H40409	Hinge Insert 8.875" (Large)
5	1	H40561	Hinge Pin 60.5"
6	2	S90000	1-1/2" Universal Plug
7	6	S40014	Self-Tap Aluminum Screw
8	1	H40015	Decking Screw SS (Kit of 36)
9	1	G100508	5' x 8' Aluminum Gangway

For more information call 1-800-654-8168 or go to www.ez-dock.com.

4. Roller Kit Installation - 300300 and 300400

The Roller Kit (300300 and 300400) is meant to protect the EZ Dock Aluminum Gangway by allowing the gangway to roll due to vertical movement of the dock and gangway. This roller kit is to be used on the free moving end of the gangway especially when placed on the walking surface of an EZ Dock to protect both the dock and the gangway itself. To provide a safer gangway, a transition plate kit is recommended with a roller kit to have a smooth transition instead of a large step.

A 300300 Roller Kit is recommended to be used for lighter gangways going onto a smoother surface, such as a dock surface or grass, and used with a 3 inch schedule 80 PVC pipe (sold separately). A 300400 Roller Kit is recommended to be used for heavy gangways going onto a rough/uneven surface, such as cement or gravel, and used with a 3-1/2 inch galvanized pipe (sold separately).

Note: Never use galvanized pipe roller kit (300400) directly in contact with EZ Dock dock section walking surface unless decking wear plate is used to protect dock surface.

- **Step 1:** Determine the location the roller kit should be placed from the end of the gangway (Item 6). This will be dependent on angle, size and location of the gangway.
- **Step 2:** Insert two (2) plastic bearings (Item 2) into each end of the PVC pipe (Item 3).
- **Step 3:** Align one (1) stainless steel gangway roller bracket (Item 1) on the bottom side of the gangway at the location that was determined in Step 1. Secure the roller bracket with two (2) self-tap aluminum screws (Item 4) and two (2) washers (Item 5).
- **Step 4:** Align and insert PVC pipe with plastic bearing (from Step 2) on the secured stainless steel gangway roller bracket (from Step 3). While holding the PVC pipe in place, insert the other gangway roller bracket into opposite end bearing. Align and secure last roller bracket with two (2) self-tap aluminum screws and two (2) washers.

Tools required:

- Screwdrivers (Phillips and standard)
- Pry-bar (small and large)
- Hammer (rubber mallet)
- Tape measure
- Electric drill

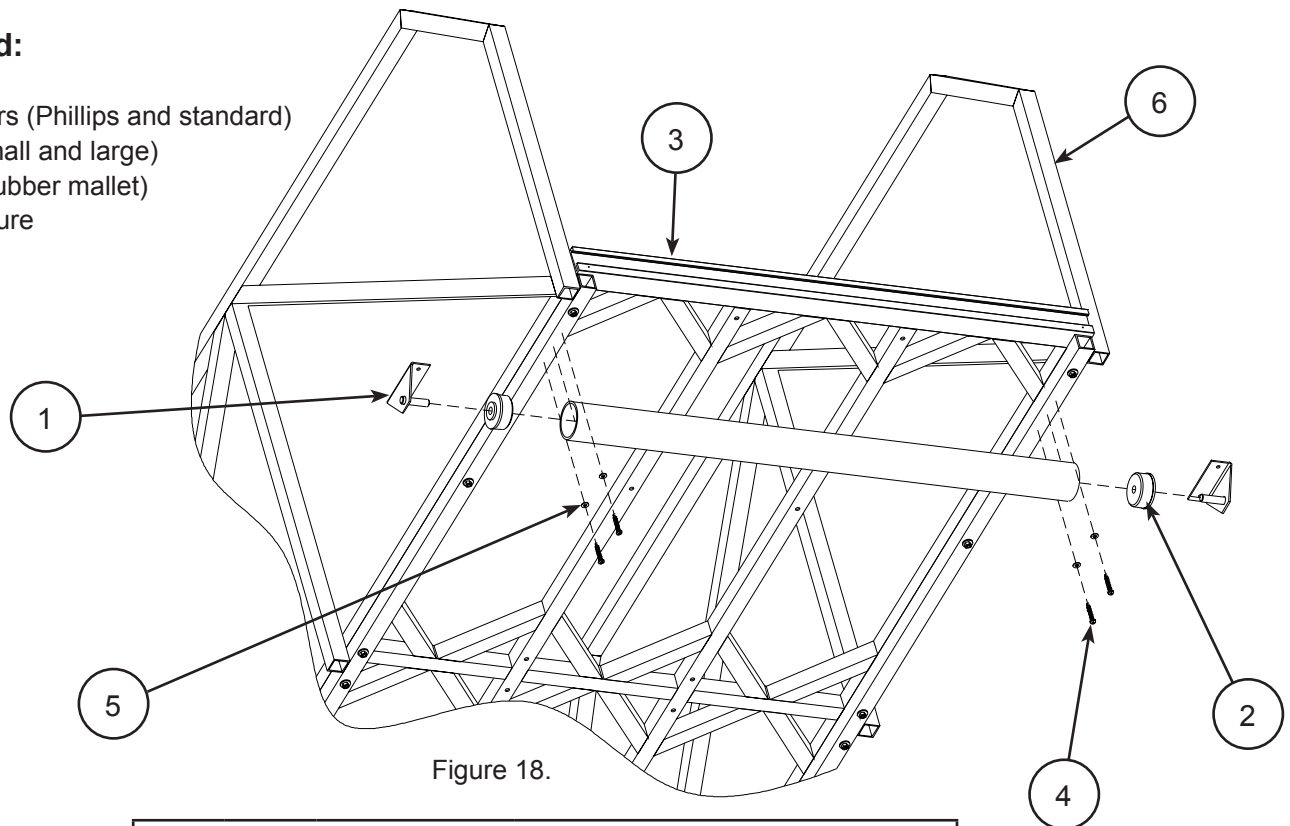
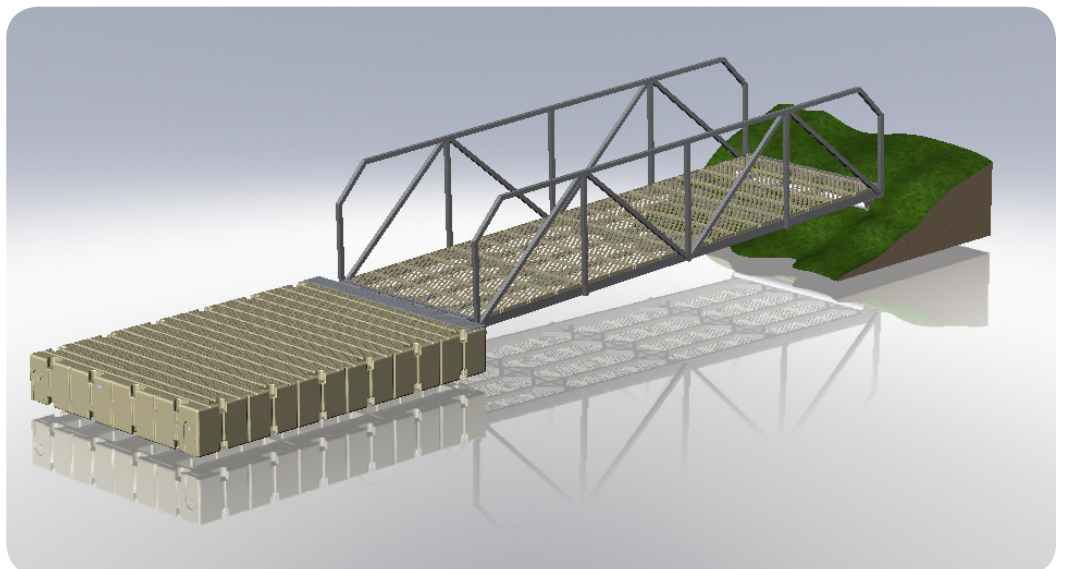
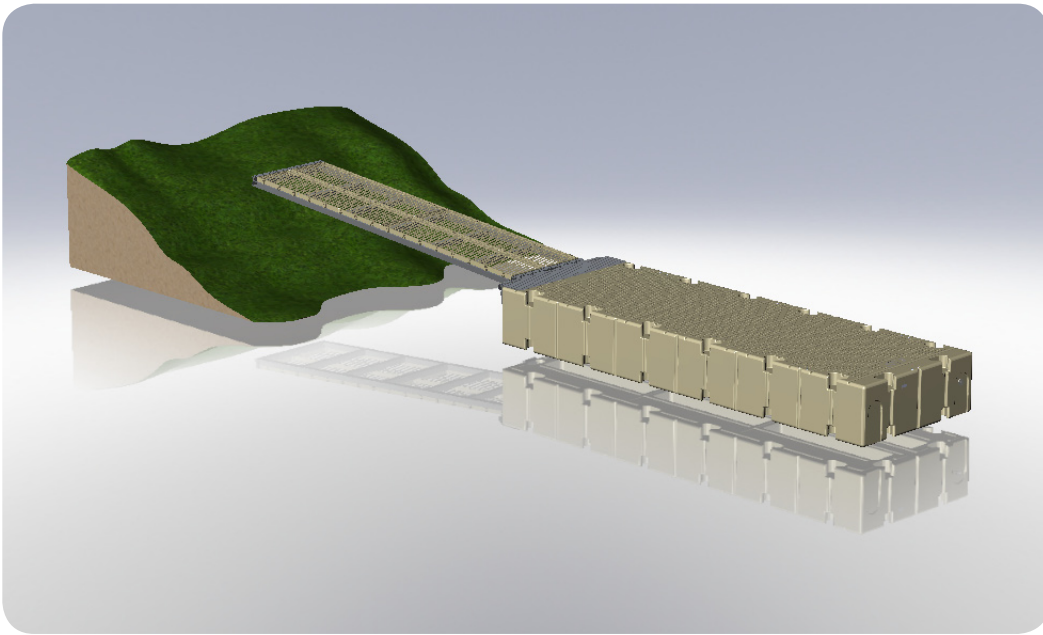
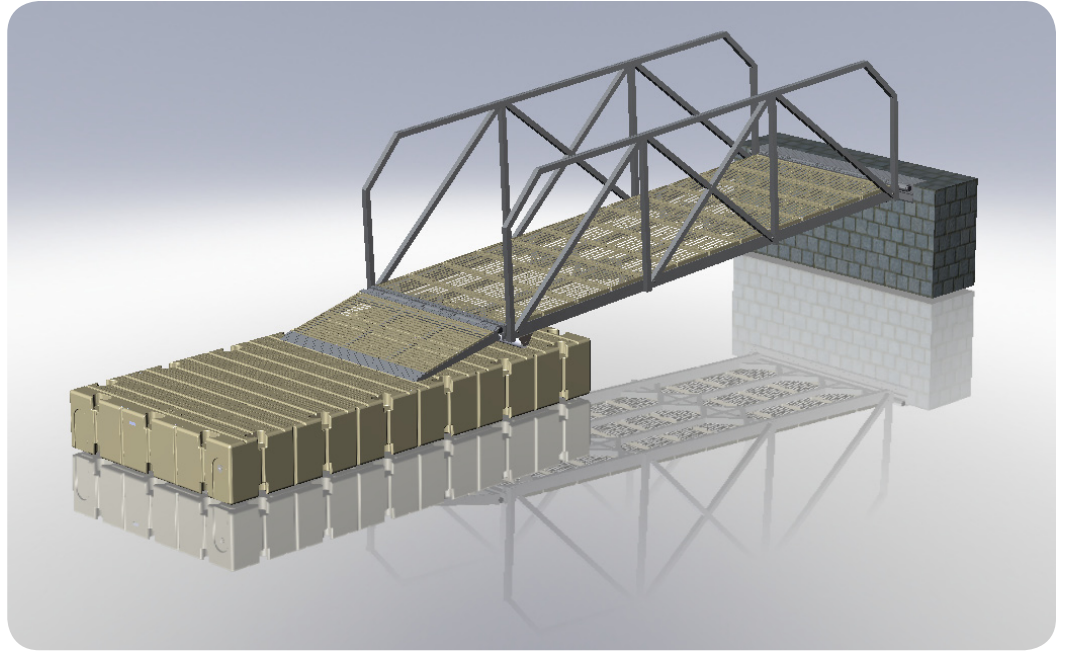


Figure 18.

BILL OF MATERIAL			
ITEM	QTY.	PART NO.	DESCRIPTION
1	2	30300SS	Gangway Roller Bracket SS
2	2	S30301DR	Plastic Bearing for 3" SCH80
3	1	N/A	PVC Pipe
4	4	N/A	Self-Tap Aluminum Screw
5	4	N/A	Washer
6	1	G100408	4' x 8' Aluminum Gangway

Sample Configurations



Limited Warranty:

Flotation (8 years) – EZ Port MAX is warranted against defects in material and workmanship for a period of eight (8) years from the date of purchase. Hardware and Accessories (1 Year) – Hardware and accessories are warranted against defects in material and workmanship for a period of one (1) year from the date of purchase.

The Limited Warranties specifically cover cracks, breakage and leaks caused by defects in the manufacturing process, and material deterioration due to ultraviolet ray exposure. The Limited Warranties specifically do not cover damages to EZ Port MAX products caused by: improper installation; use inconsistent with EZ Port MAX instructions, and product specifications; vandalism, severe weather and natural disaster; impact by watercraft, ice, falling trees, floating debris, and other foreign objects; unauthorized product modification and attachment and improper repair.

EZ Dock's exclusive obligation is to repair or replace defective ports at EZ Dock's option. "Repair" may be limited to providing a repair kit. Shipping and installation costs related to repaired and replaced product shall be at the buyer's expense. Repaired or replaced products are warranted only for the balance of the original limited warranty.

Warranty Activation and Claim Process – In order to activate the Limited Warranties, the buyer must properly register the purchase of EZ Port MAX ports within thirty (30) days of purchase via the registration methods of mail, web or fax. Warranty Claims for properly registered products must be submitted in writing to EZ Dock within the warranty periods set out above. Warranty Claims must identify the subject product(s) and include the date of purchase, description of the claimed defect, and documents evidencing the sale and purchase of the product.

It is important that you complete the product registration card and mail it in for your warranty within 30 days of purchase. You can also register your product online at www.ez-dock.com.

THE FOREGOING WARRANTIES ARE EXCLUSIVE AND ARE IN LIEU OF ALL OTHER WARRANTIES, EXPRESS OR IMPLIED, INCLUDING, WITHOUT LIMITATION, ANY WARRANTY OF MERCHANTABILITY OR FITNESS FOR A PARTICULAR PURPOSE OR ANY OTHER IMPLIED WARRANTIES BY COURSE OF DEALING OR TRADE USAGE. THE FOREGOING WARRANTIES SHALL CONSTITUTE THE SOLE REMEDIES OF THE PURCHASER AND THE SOLE LIABILITY OF EZ DOCK FOR BREACH OF WARRANTY, AND EZ DOCK SHALL NOT BE LIABLE UNDER ANY CIRCUMSTANCES FOR ANY CONSEQUENTIAL, SPECIAL, INCIDENTAL, OR INDIRECT DAMAGES. ORAL OR OTHER WRITTEN STATEMENTS MADE OUTSIDE THIS DOCUMENT DO NOT CONSTITUTE WARRANTIES AND ARE NOT PART OF THESE LIMITED WARRANTIES.

Customer Service Assistance:

When calling for service assistance, please know the purchase date, model and/or serial code of your EZ Port MAX. You also need your serial code for product registration. This information will help us to better respond to your request. If you need replacement parts, contact your dealer to obtain only genuine parts. These parts will fit right and work correctly because they are made with the same precision used to build your EZ Port MAX. **To locate replacement parts in your area, call 1-888-654-8168 (US and Canada), 1-417-235-2223 (Africa, Asia or Central- or South America), or +(32) 4 240 0353 in Europe. French speaking residents in Quebec should call 1-800-654-8168. These numbers will put you in contact with your nearest distributor/dealer. You may also locate your nearest distributor or dealer by logging onto the web at www.ez-dock.com.**

EZ Dock distributors and dealers can provide assistance with:

- Features and specifications of EZ Dock's full line of dock products
- Installation information
- Use and maintenance procedures
- Accessory and repair part sales
- Referrals to local dealers

Maintaining your EZ Dock Aluminum Gangway

Care and Maintenance

Cleaning: Your new EZ Dock Aluminum Gangway can be easily cleaned using a brush, mild cleaning agent, and water. For stubborn stains, use a diluted bleach solution. A power washer can be used when convenient. Algae growth at the waterline on the EZ Dock system is normal and will not harm the dock or gangway.

Ice: The EZ Dock dock system floats high enough so that normal ice pressure will not harm the product. However, if the shoreline area has ice pressure pushes, wind blown ice, or other ice flows, the gangway and dock system needs to be removed or disconnected from the moorings. In these circumstances, pipes or piles need to be removed so they will not be bent by the ice pressure.

Removal: If the EZ Dock Aluminum Gangway is removed at anytime for storage, the gangway should not be dragged over rough gravel or other sharp objects. The EZ Dock Aluminum Gangway may be stored outside without any special care when stored or deconstructed.



The First Dock of Its Kind...The Last Dock You Will Ever Need®

www.ez-dock.com

©2007 EZ Dock, Inc. EZ Dock is a member of the PlayPower family of companies, which also includes Miracle Recreation Equipment company, PlayPower LT Farmington, Inc., SoftPlay, L.L.C., HAGS, Aqua Recreation, RSS, Records, and SMP.