

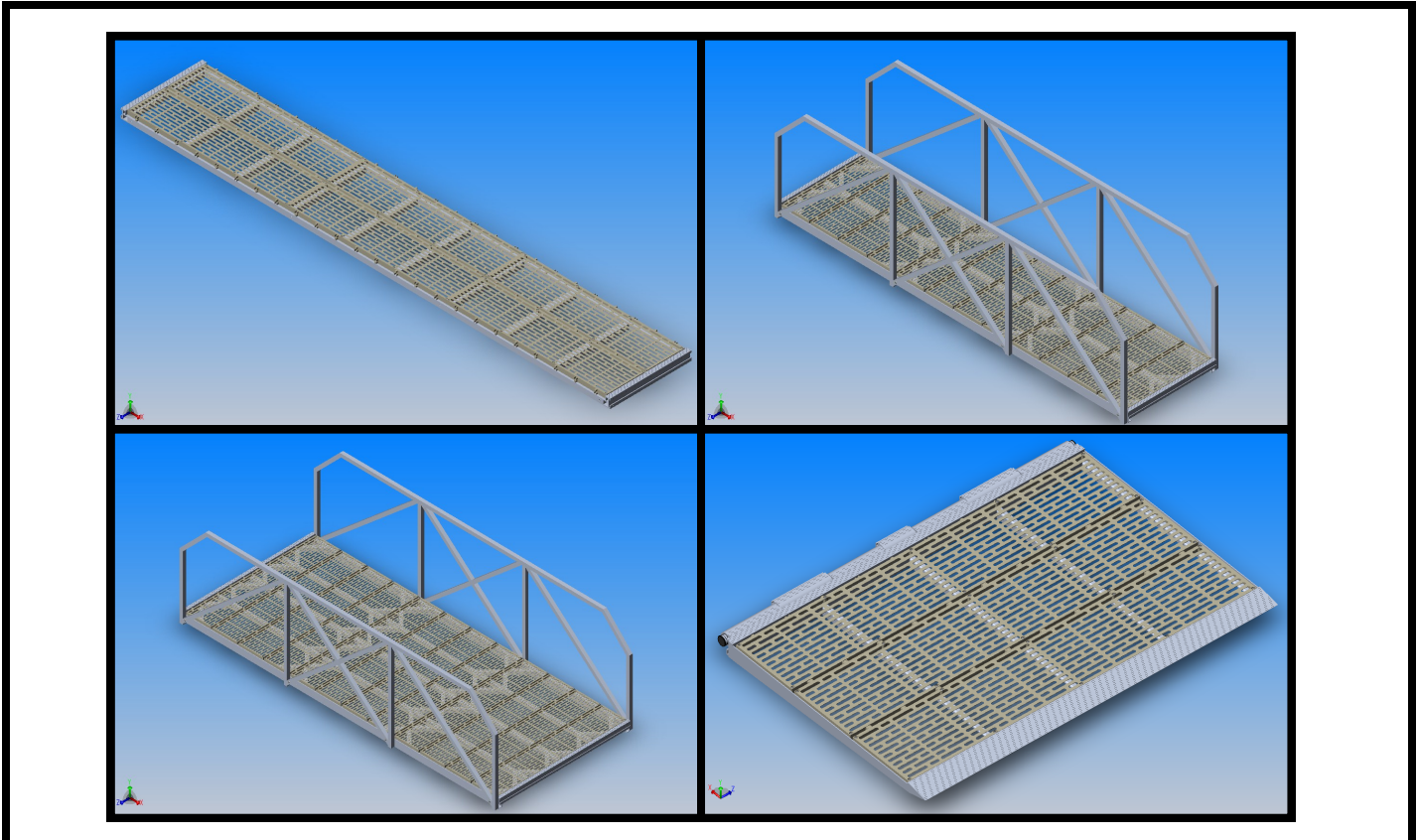
Product Announcement



EZ Dock 2', 3', and 5' Wide Aluminum Gangway System

G110208, G110212, G110216, G100308, G100312, G100316, G100320, G100324, G100508, G100512, G100516, G100520, G100524, G111208, G111212, G111216, G101308, G101312, G101316, G101320, G101324, G101508, G101512, G101516, G101520, G101524, G200350, G200360, G200550, G200560, and G200565

Implementation Date: April 2011



EZ Dock 2', 3', and 5' Wide Aluminum Gangways

EZ Dock 2', 3', and 5' Wide Aluminum Gangways

This EZ Dock product announcement is for 2', 3', and 5' wide aluminum gangways and is the second phase in a new series of welded Aluminum Gangways that will offer new options and improved performance. The new EZ Dock 3' and 5' wide gangways will initially be available in 5 lengths starting with an 8' and going up in 4' increments all the way up to 24' long, while the 2' wide gangway is only offered in lengths of 8', 12', and 16'. The new gangways have welded aluminum walkway structures with custom aluminum extrusions and welded aluminum handrails that are bolted into place (excluding 2' wide gangways). They can be purchased with the standard ThruFlow™ decking or without so that you can add decking of the customers' choice. The new gangway is a strong and durable system with a cool, slip-resistance surface that can be used for virtually any residential, commercial or special needs application. The design of the bolt-on handrails allow the gangways to be shipped flat for reduced shipping costs. These gangways offer 50 lbs/sq.ft. capacity.

To compliment the new EZ Dock aluminum gangways we have a new shoreline abutment kit, new hinge to float kit and new transition kit. All of these kits utilize new custom aluminum extrusions that provide simplicity and strength. The new transition kit also utilizes ThruFlow™ decking and offers ADA accessible transfer between the gangway and the shore grade or dock level that is clean, safe and sturdy.

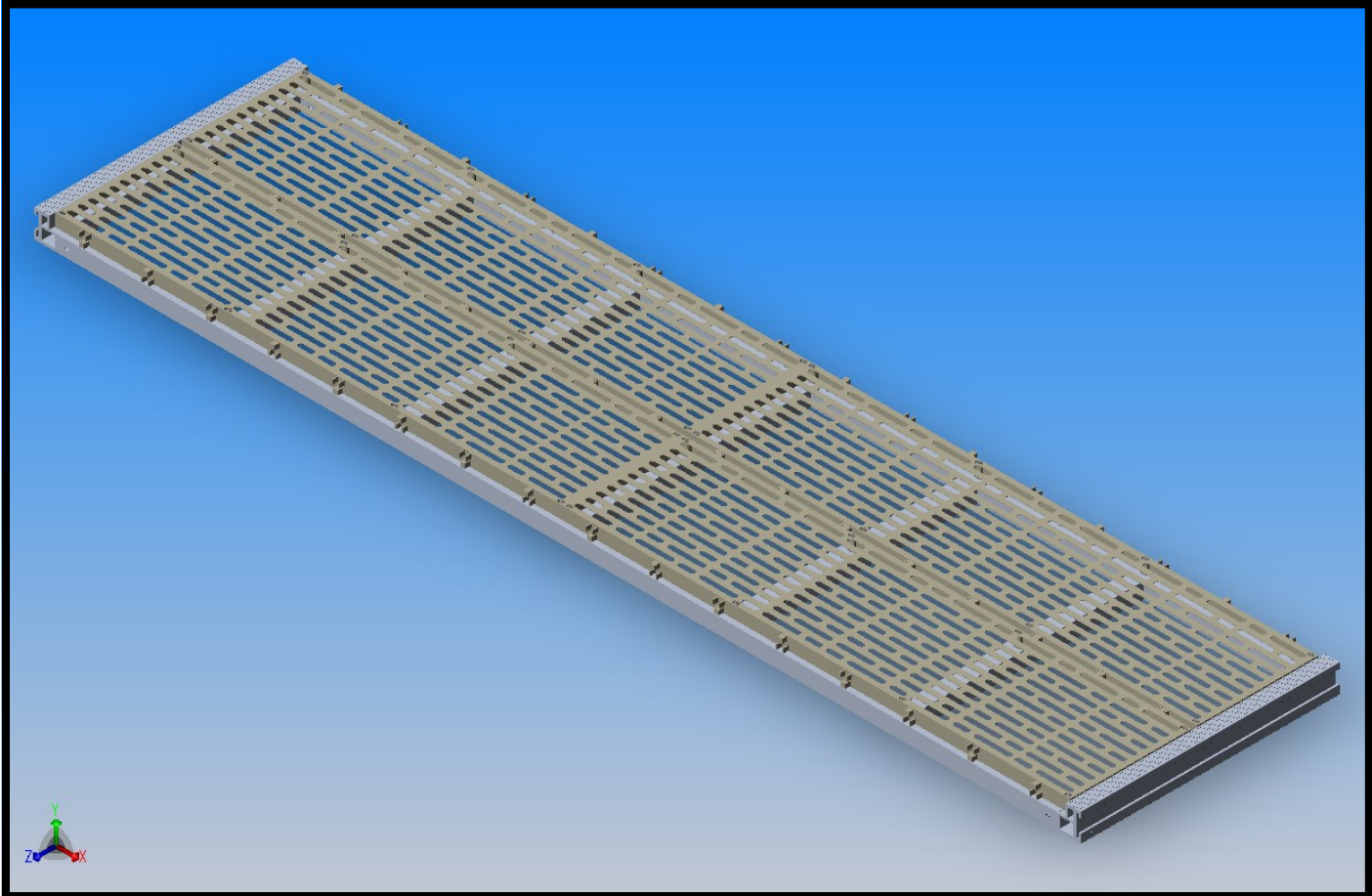
EZ Dock Inc. 878 Highway 60 • Monett, MO 65708 • 888-654-8168 • fax: 417-235-2232 • www.ez-dock.com

Product Announcement



G110208 2' W x 8' L Aluminum Gangway w/Decking w/o Handrails

G111208 2' W x 8' L Aluminum Gangway w/o Decking w/o Handrails



BOM for G110208 - 2' W x 8' L Aluminum Gangway Kit w/Decking w/o Handrails

B40208	Gangway Frame Alum 2' x 8'	1	G110208 - 2'x8' Gangway w/Decking w/o Hand Rails
H40441	Decking Panel 4' x 1' ThruFlow Beige	4	
H40015	Kit, Decking Screw SS	1	

BOM for G111208 - 2' W x 8' L Aluminum Gangway Kit w/o Decking w/o Handrails

B40208	Gangway Frame Alum 2' x 8'	1	G111208 - 2'x8' Gangway w/o Decking w/o Hand Rails
--------	----------------------------	---	--

EZ Dock Inc. 878 Highway 60 • Monett, MO 65708 • 888-654-8168 • fax: 417-235-2232 • www.ez-dock.com

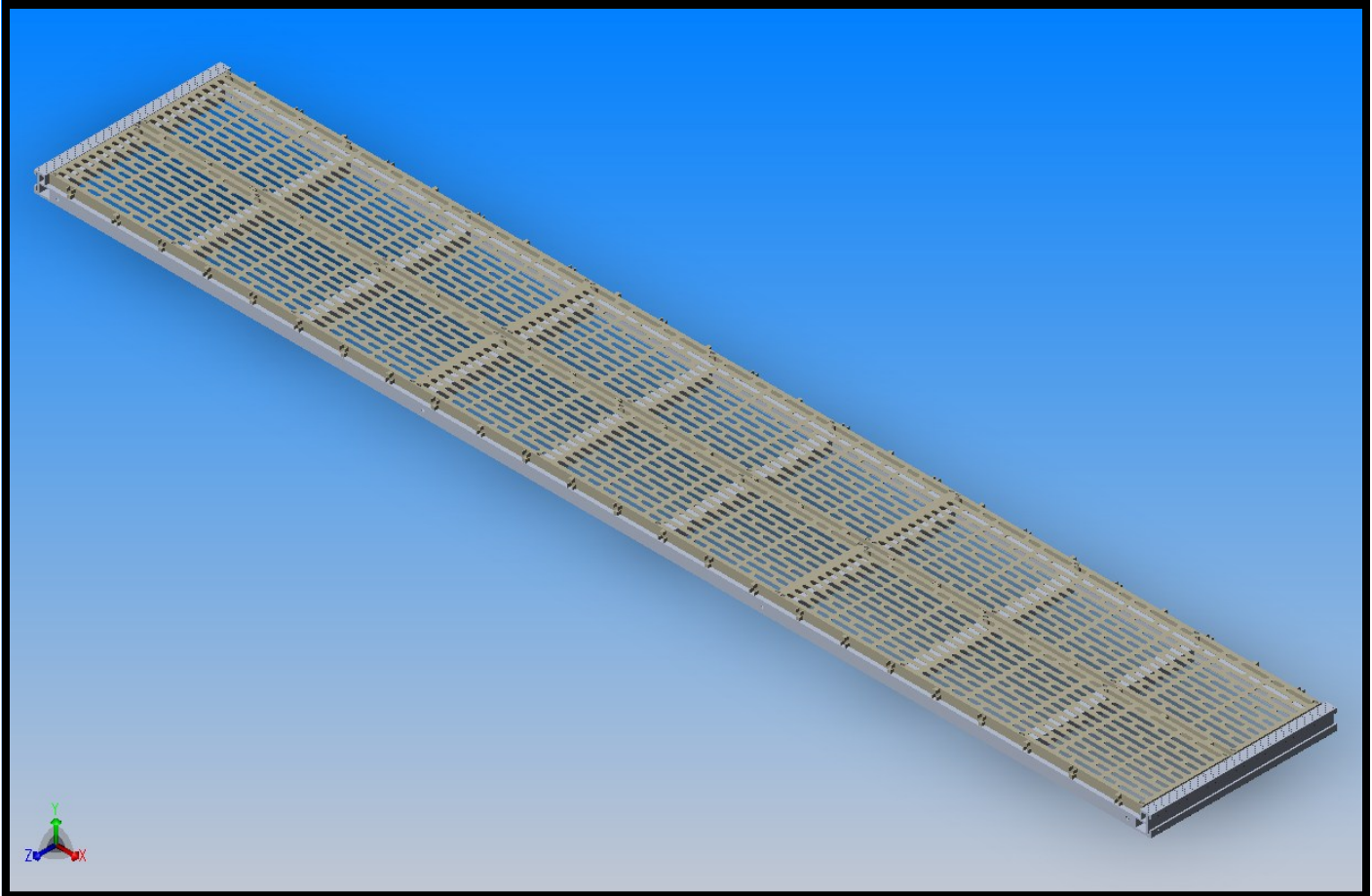


Product Announcement



G110212 2' W x 12' L Aluminum Gangway w/Decking w/o Handrails

G111212 2' W x 12' L Aluminum Gangway w/o Decking w/o Handrails



BOM for G110212 - 2' W x 12' L Aluminum Gangway Kit w/Decking w/o Handrails

B40212	Gangway Frame Alum 2' x 12'	1	G110212 - 2'x12' Gangway w/Decking w/o Handrails
H40441	Decking Panel 4' x 1' ThruFlow Beige	6	
H40015	Kit, Decking Screw SS	2	

BOM for G111212 - 2' W x 12' L Aluminum Gangway Kit w/o Decking w/o Handrails

B40212	Gangway Frame Alum 2' x 12'	1	G111212 - 2'x12' Gangway w/o Decking w/o Handrails
--------	-----------------------------	---	---

EZ Dock Inc. 878 Highway 60 • Monett, MO 65708 • 888-654-8168 • fax: 417-235-2232 • www.ez-dock.com

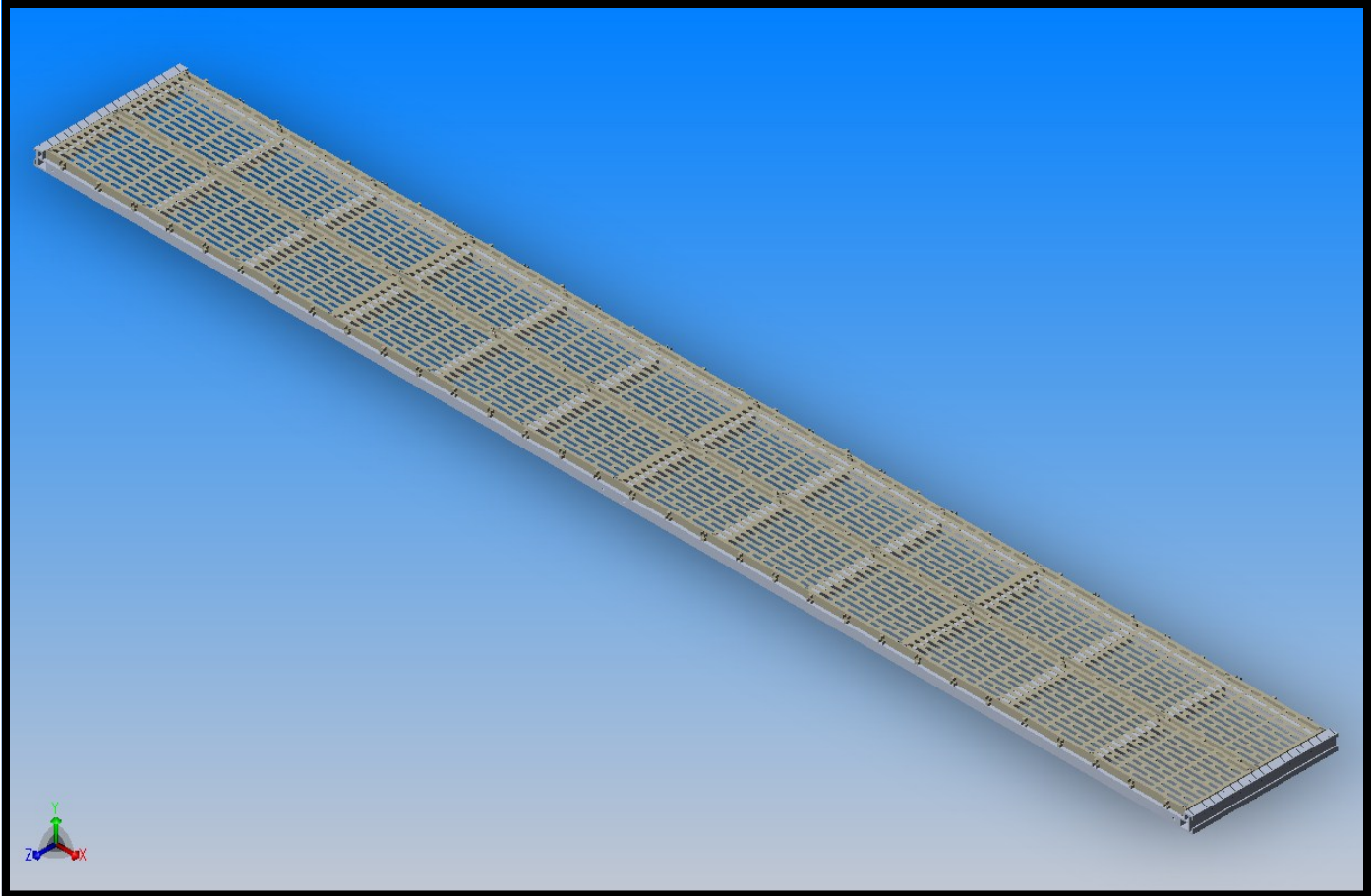


Product Announcement



G110216 2' W x 16' L Aluminum Gangway w/Decking w/o Handrails

G111216 2' W x 16' L Aluminum Gangway w/o Decking w/o Handrails



BOM for G110216 - 2' W x 16' L Aluminum Gangway Kit w/Decking w/o Handrails

B40216	Gangway Frame Alum 2' x 16'	1	G110216 - 2'x16' Gangway w/Decking w/o Handrails
H40441	Decking Panel 4' x 1' ThruFlow Beige	8	
H40015	Kit, Decking Screw SS	2	

BOM for G111216 - 2' W x 16' L Aluminum Gangway Kit w/o Decking

B40216	Gangway Frame Alum 2' x 16'	1	G111216 - 2'x16' Gangway w/o Decking w/o Handrails
--------	-----------------------------	---	---

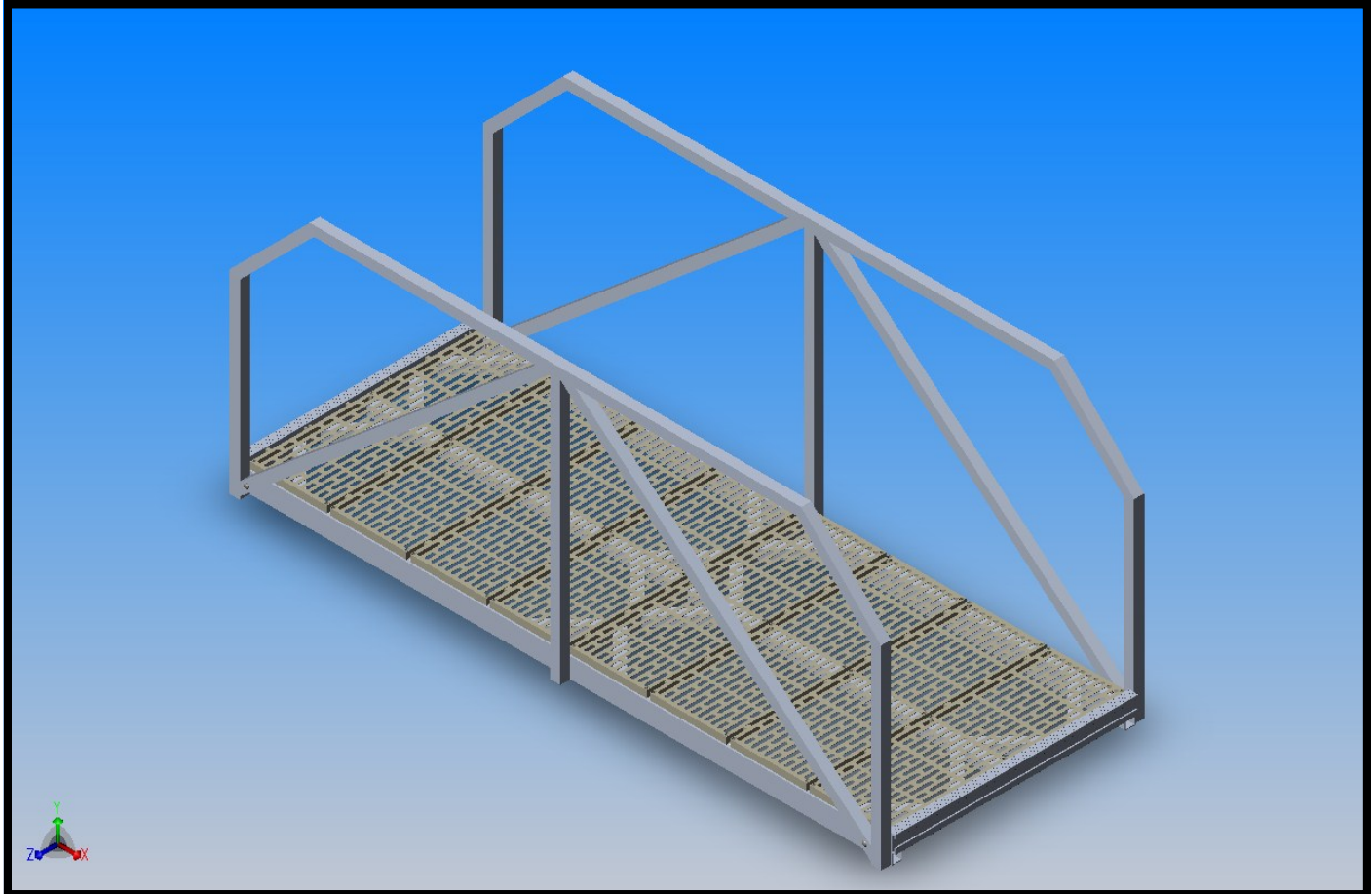
EZ Dock Inc. 878 Highway 60 • Monett, MO 65708 • 888-654-8168 • fax: 417-235-2232 • www.ez-dock.com



Product Announcement



G100308 3' W x 8' L Aluminum Gangway w/Decking
G101308 3' W x 8' L Aluminum Gangway w/o Decking



BOM for G100308 - 3' W x 8' L Aluminum Gangway Kit w/Decking

G40308	Gangway Frame w/ Rails Alum 3' x 8'	1	G100308 - 3'x8' Gangway w/Decking
80540SS	Bolt 5/16"-16 x 3-1/2" Carr HD 18-8SS	16	
117005	18-8 SS Washer	16	
110021	Nut 5/16"-18 Hex 18-8 SS	16	
H40331	Decking Panel 3' x 1' ThruFlow Beige	8	
H40015	Kit, Decking Screw SS	2	

BOM for G101308 - 3' W x 8' L Aluminum Gangway Kit w/o Decking

G40308	Gangway Frame w/ Rails Alum 3' x 8'	1	G101308 - 3'x8' Gangway w/o Decking
80540SS	Bolt 5/16"-16 x 3-1/2" Carr HD 18-8SS	16	
117005	18-8 SS Washer	16	
110021	Nut 5/16"-18 Hex 18-8 SS	16	

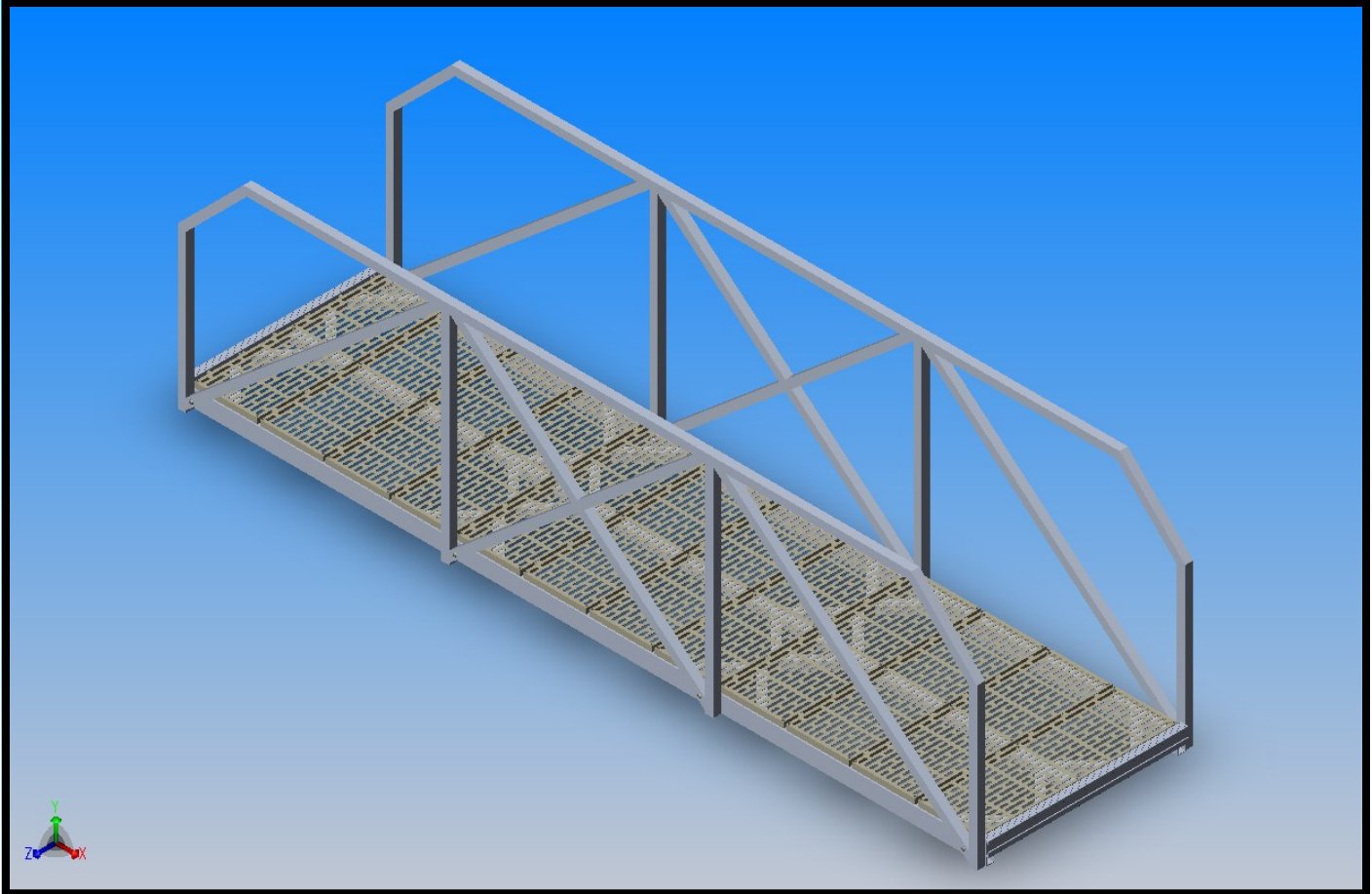
EZ Dock Inc. 878 Highway 60 • Monett, MO 65708 • 888-654-8168 • fax: 417-235-2232 • www.ez-dock.com



Product Announcement



G100312 3' W x 12' L Aluminum Gangway w/Decking
G101312 3' W x 12' L Aluminum Gangway w/o Decking



BOM for G100312 - 3' W x 12' L Aluminum Gangway Kit w/Decking

G40312	Gangway Frame w/ Rails Alum 3' x 12'	1	G100312 - 3'x12' Gangway w/Decking
80540SS	Bolt 5/16"-16 x 3-1/2" Carr HD 18-8SS	24	
117005	18-8 SS Washer	24	
110021	Nut 5/16"-18 Hex 18-8 SS	24	
H40331	Decking Panel 3' x 1' ThruFlow Beige	12	
H40015	Kit, Decking Screw SS	3	

BOM for G101312 - 3' W x 12' L Aluminum Gangway Kit w/o Decking

G40312	Gangway Frame w/ Rails Alum 3' x 12'	1	G101312 - 3'x12' Gangway w/o Decking
80540SS	Bolt 5/16"-16 x 3-1/2" Carr HD 18-8SS	24	
117005	18-8 SS Washer	24	
110021	Nut 5/16"-18 Hex 18-8 SS	24	

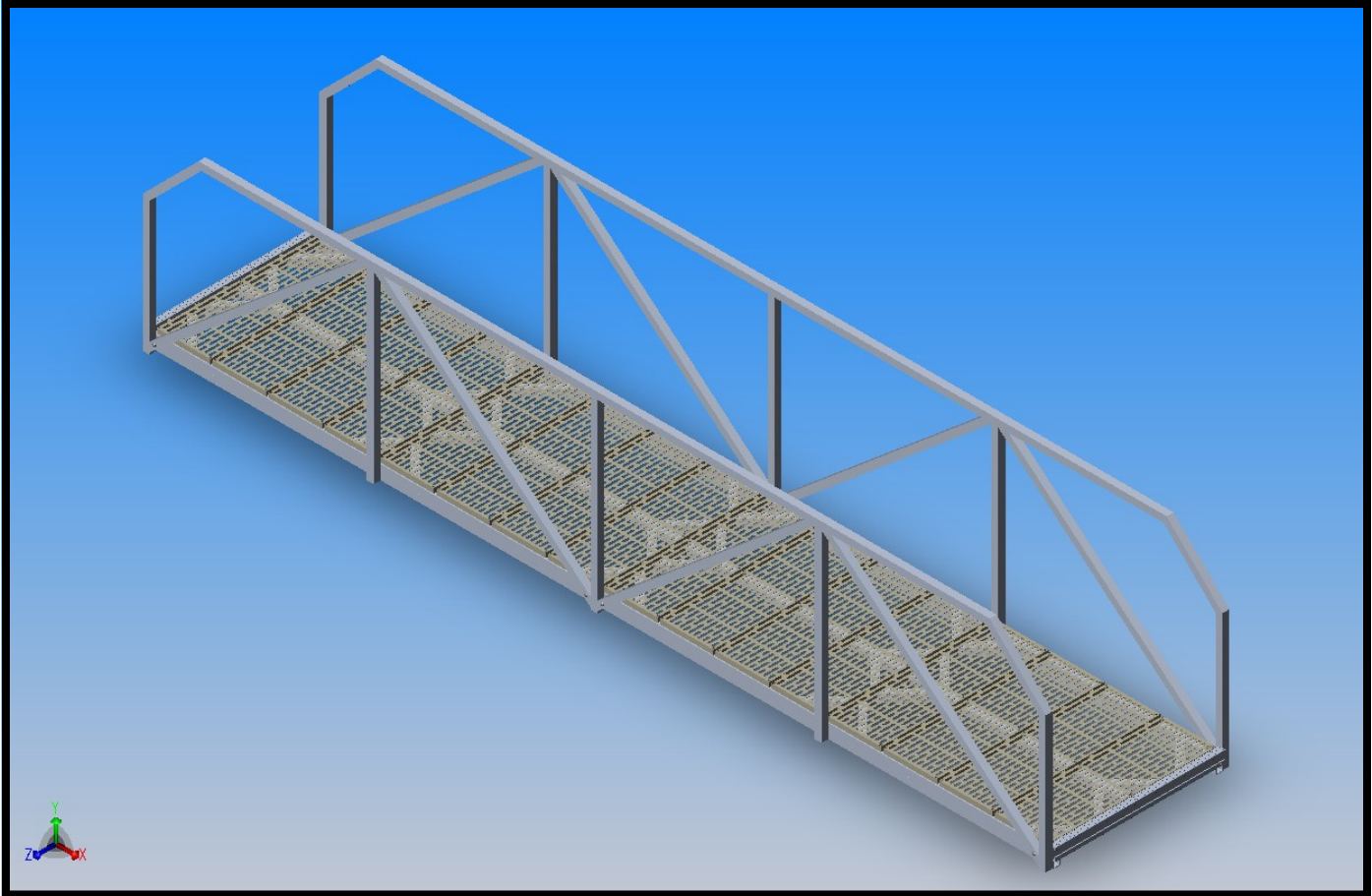
EZ Dock Inc. 878 Highway 60 • Monett, MO 65708 • 888-654-8168 • fax: 417-235-2232 • www.ez-dock.com



Product Announcement



G100316 3' W x 16' L Aluminum Gangway w/Decking
G101316 3' W x 16' L Aluminum Gangway w/o Decking



BOM for G100316 - 3' W x 16' L Aluminum Gangway Kit w/Decking

G40316	Gangway Frame w/ Rails Alum 3' x 16'	1	G100316 - 3'x16' Gangway w/Decking
80540SS	Bolt 5/16"-16 x 3-1/2" Carr HD 18-8SS	28	
117005	18-8 SS Washer	28	
110021	Nut 5/16"-18 Hex 18-8 SS	28	
H40331	Decking Panel 3' x 1' ThruFlow Beige	16	
H40015	Kit, Decking Screw SS	3	

BOM for G101316 - 3' W x 16' L Aluminum Gangway Kit w/o Decking

G40316	Gangway Frame w/ Rails Alum 3' x 16'	1	G101316 - 3'x16' Gangway w/o Decking
80540SS	Bolt 5/16"-16 x 3-1/2" Carr HD 18-8SS	28	
117005	18-8 SS Washer	28	
110021	Nut 5/16"-18 Hex 18-8 SS	28	

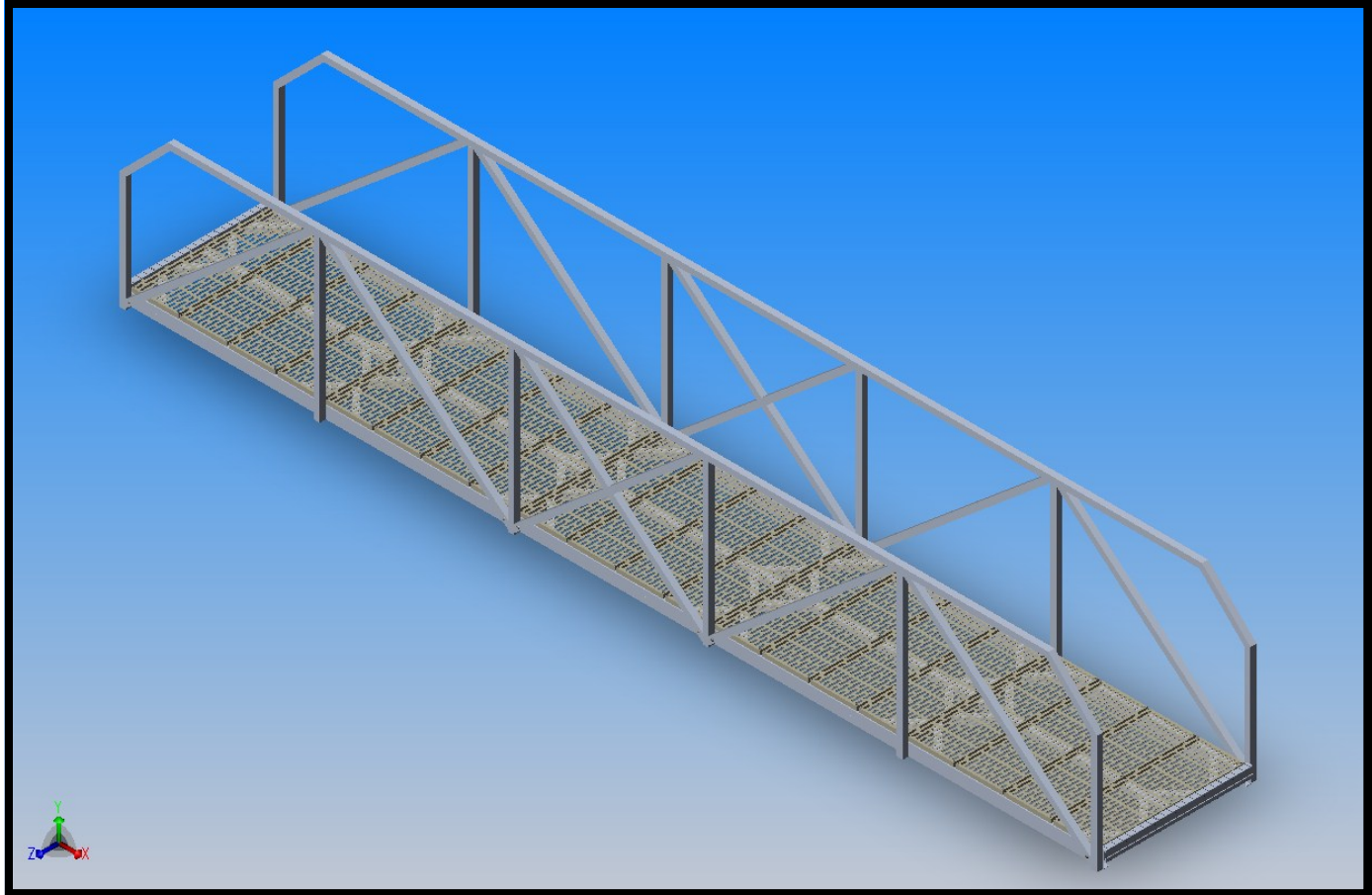
EZ Dock Inc. 878 Highway 60 • Monett, MO 65708 • 888-654-8168 • fax: 417-235-2232 • www.ez-dock.com



Product Announcement



G100320 3' W x 20' L Aluminum Gangway w/Decking
G101320 3' W x 20' L Aluminum Gangway w/o Decking



BOM for G100320 - 3' W x 20' L Aluminum Gangway Kit w/Decking

G40320	Gangway Frame w/ Rails Alum 3' x 20'	1	G100320 - 3'x20' Gangway w/Decking
80540SS	Bolt 5/16"-16 x 3-1/2" Carr HD 18-8SS	36	
117005	18-8 SS Washer	36	
110021	Nut 5/16"-18 Hex 18-8 SS	36	
H40331	Decking Panel 3' x 1' ThruFlow Beige	20	
H40015	Kit, Decking Screw SS	4	

BOM for G101320 - 3' W x 20' L Aluminum Gangway Kit w/o Decking

G40320	Gangway Frame w/ Rails Alum 3' x 20'	1	G101320 - 3'x20' Gangway w/o Decking
80540SS	Bolt 5/16"-16 x 3-1/2" Carr HD 18-8SS	36	
117005	18-8 SS Washer	36	
110021	Nut 5/16"-18 Hex 18-8 SS	36	

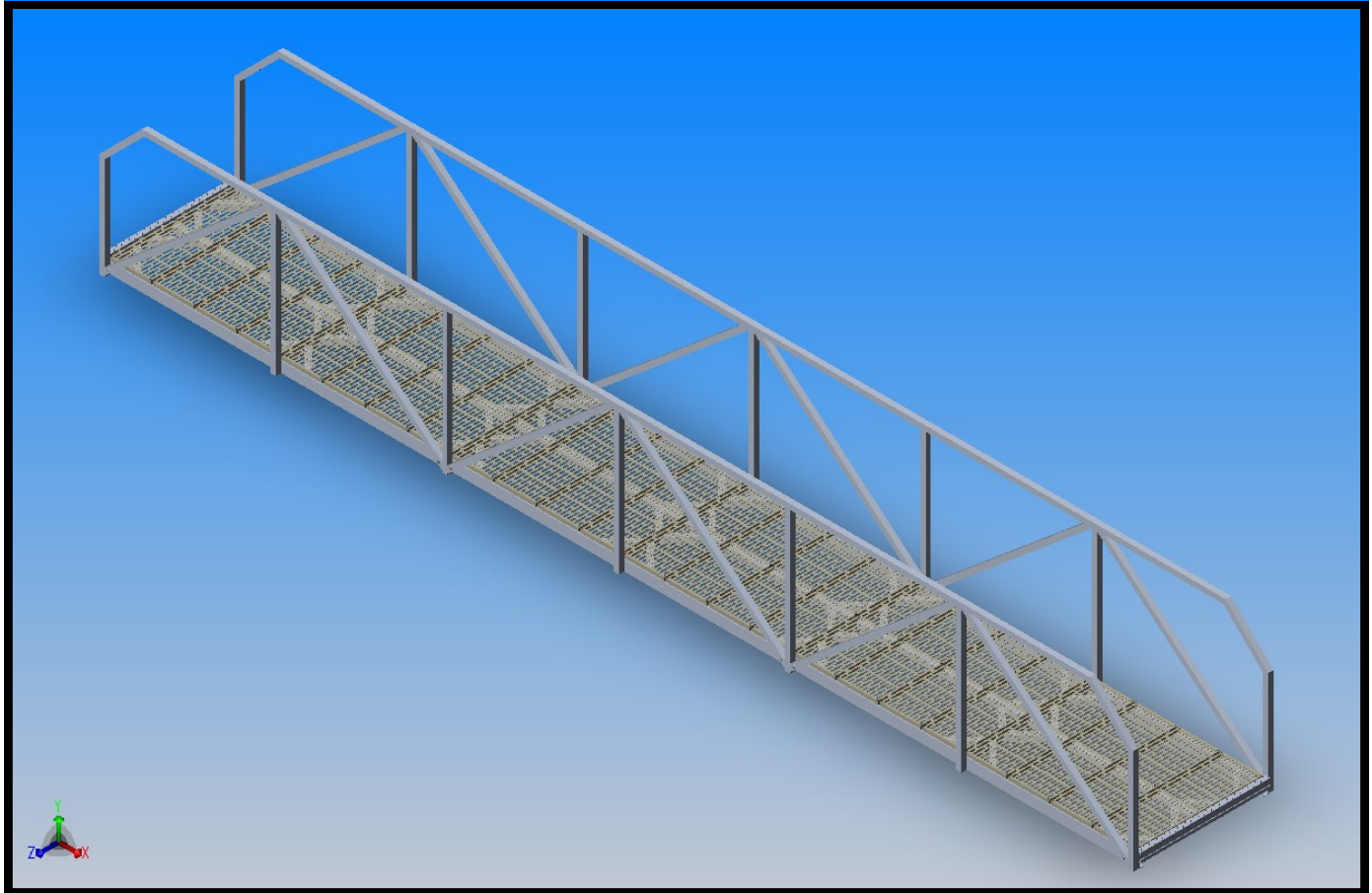
EZ Dock Inc. 878 Highway 60 • Monett, MO 65708 • 888-654-8168 • fax: 417-235-2232 • www.ez-dock.com



Product Announcement



G100324 3' W x 24' L Aluminum Gangway w/Decking
G101324 3' W x 24' L Aluminum Gangway w/o Decking



BOM for G100324 - 3' W x 24' L Aluminum Gangway Kit w/Decking

G40324	Gangway Frame w/ Rails Alum 3' x 24'	1	G100324 - 3'x24' Gangway w/Decking
80540SS	Bolt 5/16"-16 x 3-1/2" Carr HD 18-8SS	40	
117005	18-8 SS Washer	40	
110021	Nut 5/16"-18 Hex 18-8 SS	40	
H40331	Decking Panel 3' x 1' ThruFlow Beige	24	
H40015	Kit, Decking Screw SS	5	

BOM for G101324 - 3' W x 24' L Aluminum Gangway Kit w/o Decking

G40324	Gangway Frame w/ Rails Alum 3' x 24'	1	G101324 - 3'x24' Gangway w/o Decking
80540SS	Bolt 5/16"-16 x 3-1/2" Carr HD 18-8SS	40	
117005	18-8 SS Washer	40	
110021	Nut 5/16"-18 Hex 18-8 SS	40	

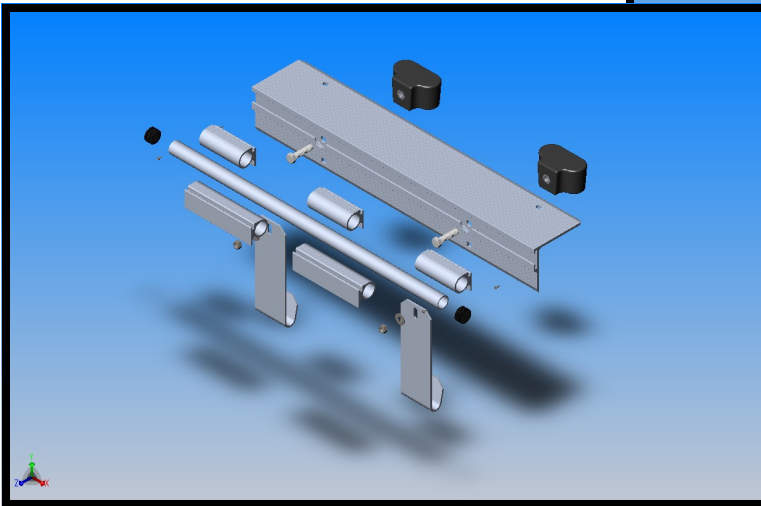
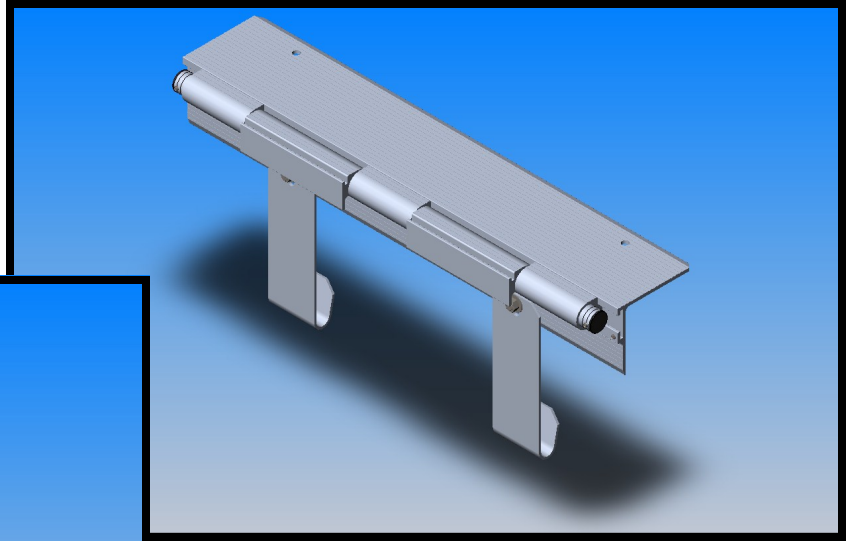
EZ Dock Inc. 878 Highway 60 • Monett, MO 65708 • 888-654-8168 • fax: 417-235-2232 • www.ez-dock.com



Product Announcement



G200360 Kit, Hinge-to-Float 40"



The EZ Dock 40" wide hinge to float kit is designed specifically to attach the new EZ Dock aluminum gangway to EZ Dock product. This kit utilizes hardware connectors, "J-hooks", and three custom aluminum extrusions to provide a safe transition and hinge from dock to gangway. **This kit is used to attach a 2' gangway on a two pocket connection (centered on one end of an 40" dock section) or to attach a 3' gangway centered on any 2 pocket connection.**

BOM for G200360 - Kit, Hinge-to-Float 40"

H40348	Abutment/Hinge Angle Extrusion	1
H40404	Hinge Slide 5-5/16" Extrusion	3
H40409	Hinge Slide 8-7/8" Extrusion	2
H40361	Hinge Pin 36" Al Tube 1.5"	1
S40014	Screw, #10 Self Tapping	6
S90000	Plug, Universal 1-1/2" Plug	2
H40449	Bracket, Hanger J-Hook AL	2
82001	Washer, 1-1/4 x 1/2" ID SS	2
110061	Nut, 1/2"-13 Hex 18-8 SS	2
80383	Bolt, Carriage 1/2"-13 x 1" 18-8 SS	2
201041SS	Connector, Hardware Female SS	2

G200360 - Kit, Hinge-to-Float 40"

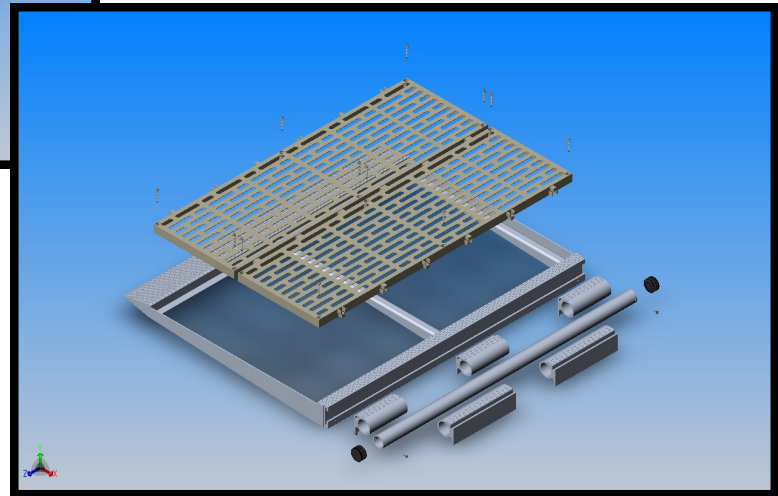
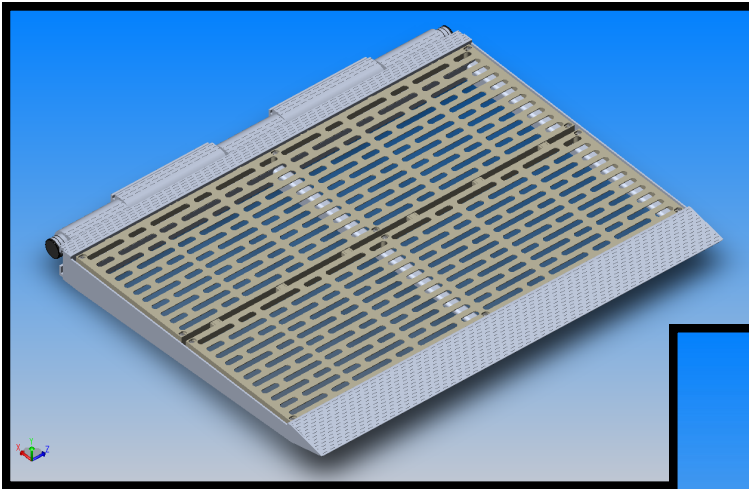
EZ Dock Inc. 878 Highway 60 • Monett, MO 65708 • 888-654-8168 • fax: 417-235-2232 • www.ez-dock.com



Product Announcement



G200350 Kit, Transition Kit for 3' Gangway w/Decking
G201350 Kit, Transition Kit for 3' Gangway w/o Decking



The 3' wide transition kit attaches directly to the end of the new EZ Dock aluminum gangways utilizing three custom aluminum extrusions. It is available along with or without ThruFlow™ decking panels. This kit offers ADA accessible transfer between the gangway and the shore grade or dock level thus allowing smooth movement to and from the dock. **This kit is used on 3' wide gangway systems only.**

BOM for G200350 - Kit, Transition Kit for 3' Gangway w/Decking

H40352-0	Transition Plate Kit	1	G200350 - Kit, Transition Kit for 3' Gangway w/Decking
H40404	Hinge Slide 5-5/16" Extrusion	3	
H40409	Hinge Slide 8-7/8" Extrusion	2	
H40361	Hinge Pin 36" Al Tube 1.5"	1	
H40331	Decking Panel 3' x 1' ThruFlow™ Beige	2	
H40015	Kit, Decking Screw SS	1	

BOM for G201350 Kit, Transition Kit for 3' Gangway w/o Decking

H40352-0	Transition Plate Kit	1	G201350 Kit, Transition Kit for 3' Gangway w/o Decking
H40404	Hinge Slide 5-5/16" Extrusion	3	
H40409	Hinge Slide 8-7/8" Extrusion	2	
H40361	Hinge Pin 36" Al Tube 1.5"	1	

EZ Dock Inc. 878 Highway 60 • Monett, MO 65708 • 888-654-8168 • fax: 417-235-2232 • www.ez-dock.com

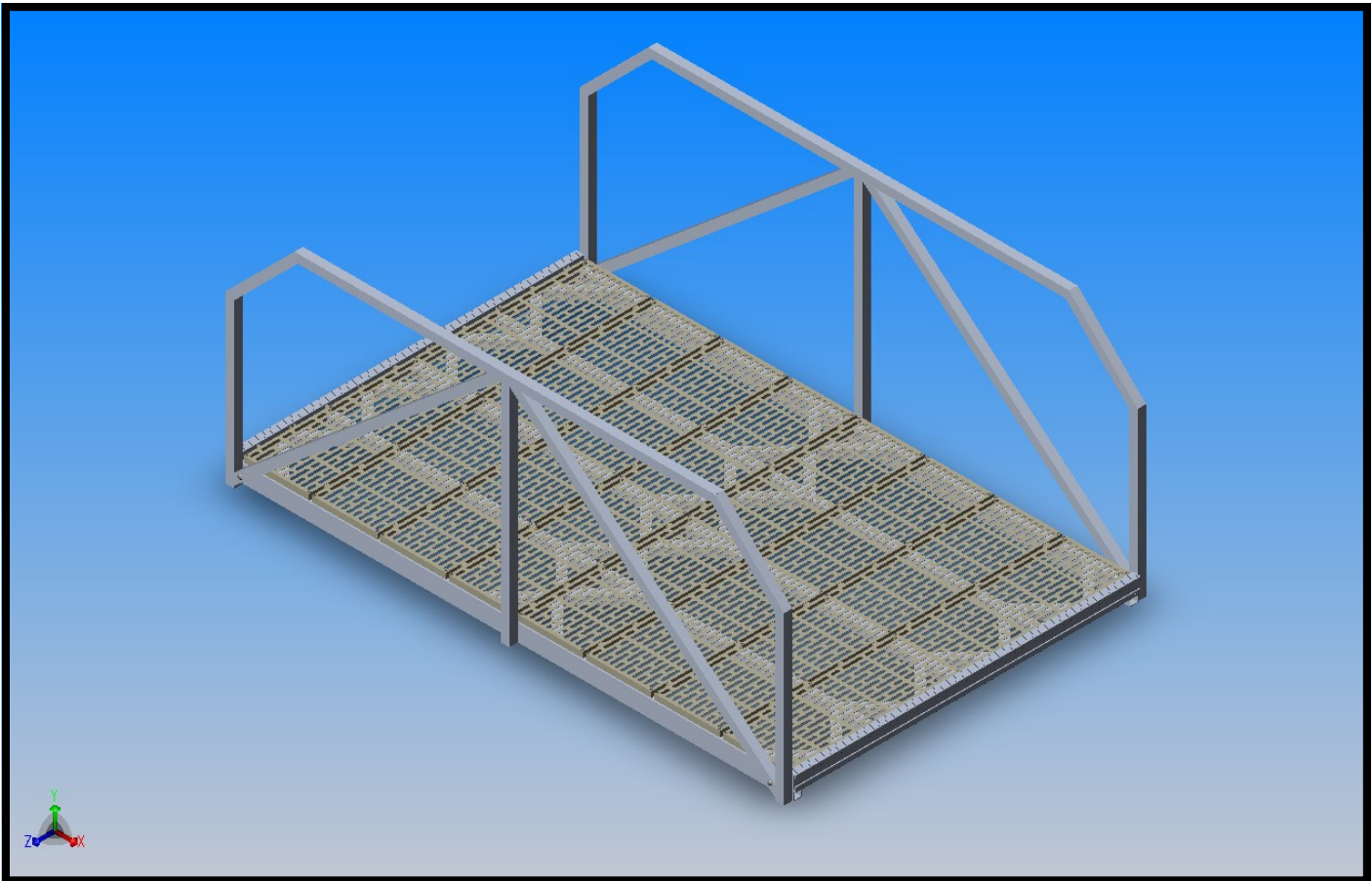


Product Announcement



G100508 5' W x 8' L Aluminum Gangway w/Decking

G101508 5' W x 8' L Aluminum Gangway w/o Decking



BOM for G100508 - 5' W x 8' L Aluminum Gangway Kit w/Decking

G40508	Gangway Frame w/ Rails Alum 5' x 8'	1	G100508 - 5'x8' Gangway w/Decking
80540SS	Bolt 5/16"-16 x 3-1/2" Carr HD 18-8SS	16	
117005	18-8 SS Washer	16	
110021	Nut 5/16"-18 Hex 18-8 SS	16	
H40551	Decking Panel 5' x 1' ThruFlow Beige	8	
H40015	Kit, Decking Screw SS	3	

BOM for G101508 - 5' W x 8' L Aluminum Gangway Kit w/o Decking

G40508	Gangway Frame w/ Rails Alum 5' x 8'	1	G101508 - 5'x8' Gangway w/o Decking
80540SS	Bolt 5/16"-16 x 3-1/2" Carr HD 18-8SS	16	
117005	18-8 SS Washer	16	
110021	Nut 5/16"-18 Hex 18-8 SS	16	

EZ Dock Inc. 878 Highway 60 • Monett, MO 65708 • 888-654-8168 • fax: 417-235-2232 • www.ez-dock.com

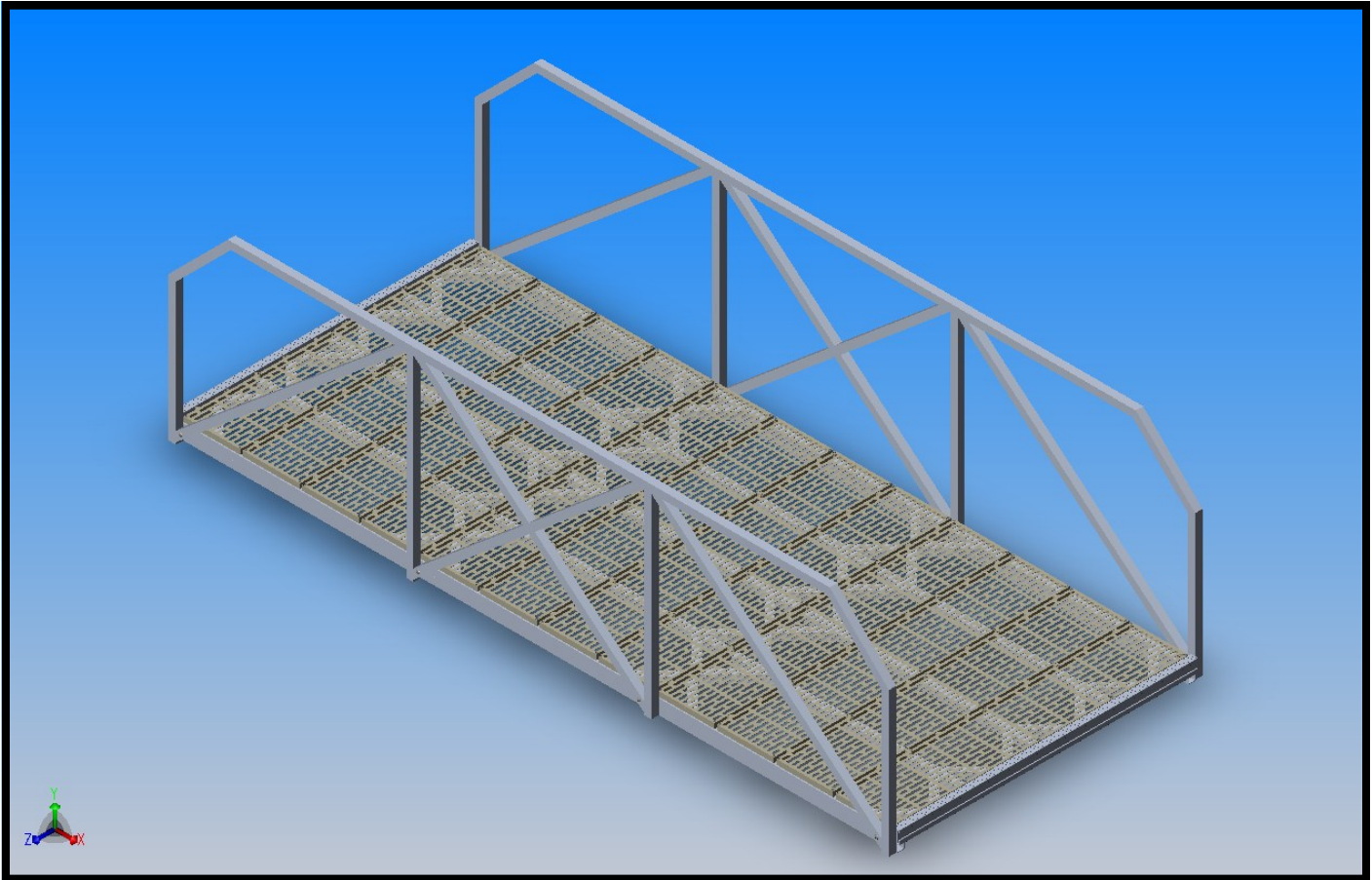


Product Announcement



G100512 5' W x 12' L Aluminum Gangway w/Decking

G101512 5' W x 12' L Aluminum Gangway w/o Decking



BOM for G100512 - 5' W x 12' L Aluminum Gangway Kit w/Decking

G40512	Gangway Frame w/ Rails Alum 5' x 12'	1	G100512 - 5'x12' Gangway w/Decking
80540SS	Bolt 5/16"-16 x 3-1/2" Carr HD 18-8SS	24	
117005	18-8 SS Washer	24	
110021	Nut 5/16"-18 Hex 18-8 SS	24	
H40551	Decking Panel 5' x 1' ThruFlow Beige	12	
H40015	Kit, Decking Screw SS	4	

BOM for G101512 - 5' W x 12' L Aluminum Gangway Kit w/o Decking

G40512	Gangway Frame w/ Rails Alum 5' x 12'	1	G101512 - 5'x12' Gangway w/o Decking
80540SS	Bolt 5/16"-16 x 3-1/2" Carr HD 18-8SS	24	
117005	18-8 SS Washer	24	
110021	Nut 5/16"-18 Hex 18-8 SS	24	

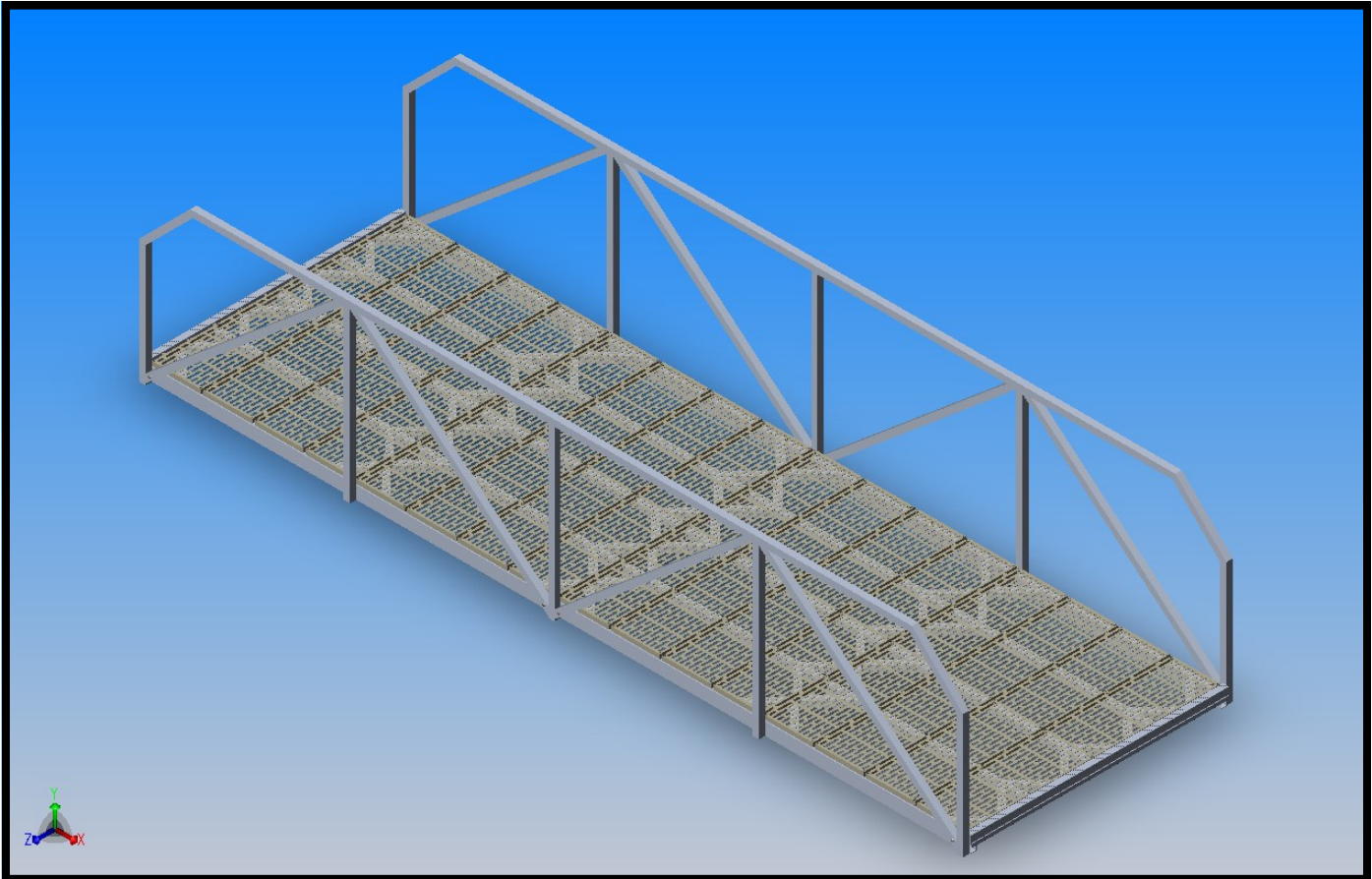
EZ Dock Inc. 878 Highway 60 • Monett, MO 65708 • 888-654-8168 • fax: 417-235-2232 • www.ez-dock.com



Product Announcement



G100516 5' W x 16' L Aluminum Gangway w/Decking
G101516 5' W x 16' L Aluminum Gangway w/o Decking



BOM for G100516 - 5' W x 16' L Aluminum Gangway Kit w/Decking

G40516	Gangway Frame w/ Rails Alum 5' x 16'	1	G100516 - 5'x16' Gangway w/Decking
80540SS	Bolt 5/16"-16 x 3-1/2" Carr HD 18-8SS	28	
117005	18-8 SS Washer	28	
110021	Nut 5/16"-18 Hex 18-8 SS	28	
H40551	Decking Panel 5' x 1' ThruFlow Beige	16	
H40015	Kit, Decking Screw SS	5	

BOM for G101516 - 5' W x 16' L Aluminum Gangway Kit w/o Decking

G40516	Gangway Frame w/ Rails Alum 5' x 16'	1	G101516 - 5'x16' Gangway w/o Decking
80540SS	Bolt 5/16"-16 x 3-1/2" Carr HD 18-8SS	28	
117005	18-8 SS Washer	28	
110021	Nut 5/16"-18 Hex 18-8 SS	28	

EZ Dock Inc. 878 Highway 60 • Monett, MO 65708 • 888-654-8168 • fax: 417-235-2232 • www.ez-dock.com

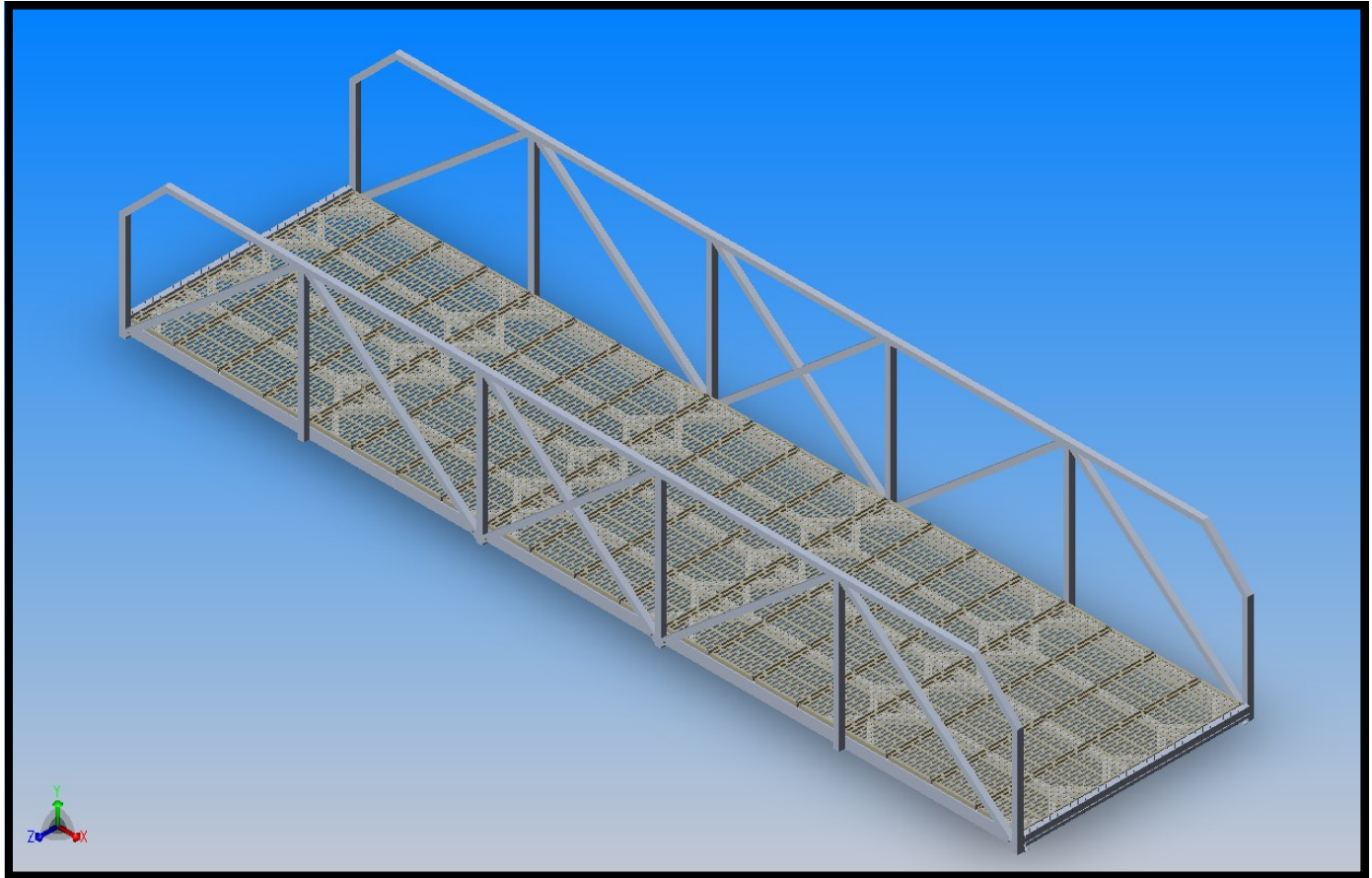


Product Announcement



G100520 5' W x 20' L Aluminum Gangway w/Decking

G101520 5' W x 20' L Aluminum Gangway w/o Decking



BOM for G100520 - 5' W x 20' L Aluminum Gangway Kit w/Decking

G40520	Gangway Frame w/ Rails Alum 5' x 20'	1	G100520 - 5'x20' Gangway w/Decking
80540SS	Bolt 5/16"-16 x 3-1/2" Carr HD 18-8SS	36	
117005	18-8 SS Washer	36	
110021	Nut 5/16"-18 Hex 18-8 SS	36	
H40551	Decking Panel 5' x 1' ThruFlow Beige	20	
H40015	Kit, Decking Screw SS	7	

BOM for G101420 - 5' W x 20' L Aluminum Gangway Kit w/o Decking

G40520	Gangway Frame w/ Rails Alum 5' x 20'	1	G101520 - 5'x20' Gangway w/o Decking
80540SS	Bolt 5/16"-16 x 3-1/2" Carr HD 18-8SS	36	
117005	18-8 SS Washer	36	
110021	Nut 5/16"-18 Hex 18-8 SS	36	

EZ Dock Inc. 878 Highway 60 • Monett, MO 65708 • 888-654-8168 • fax: 417-235-2232 • www.ez-dock.com

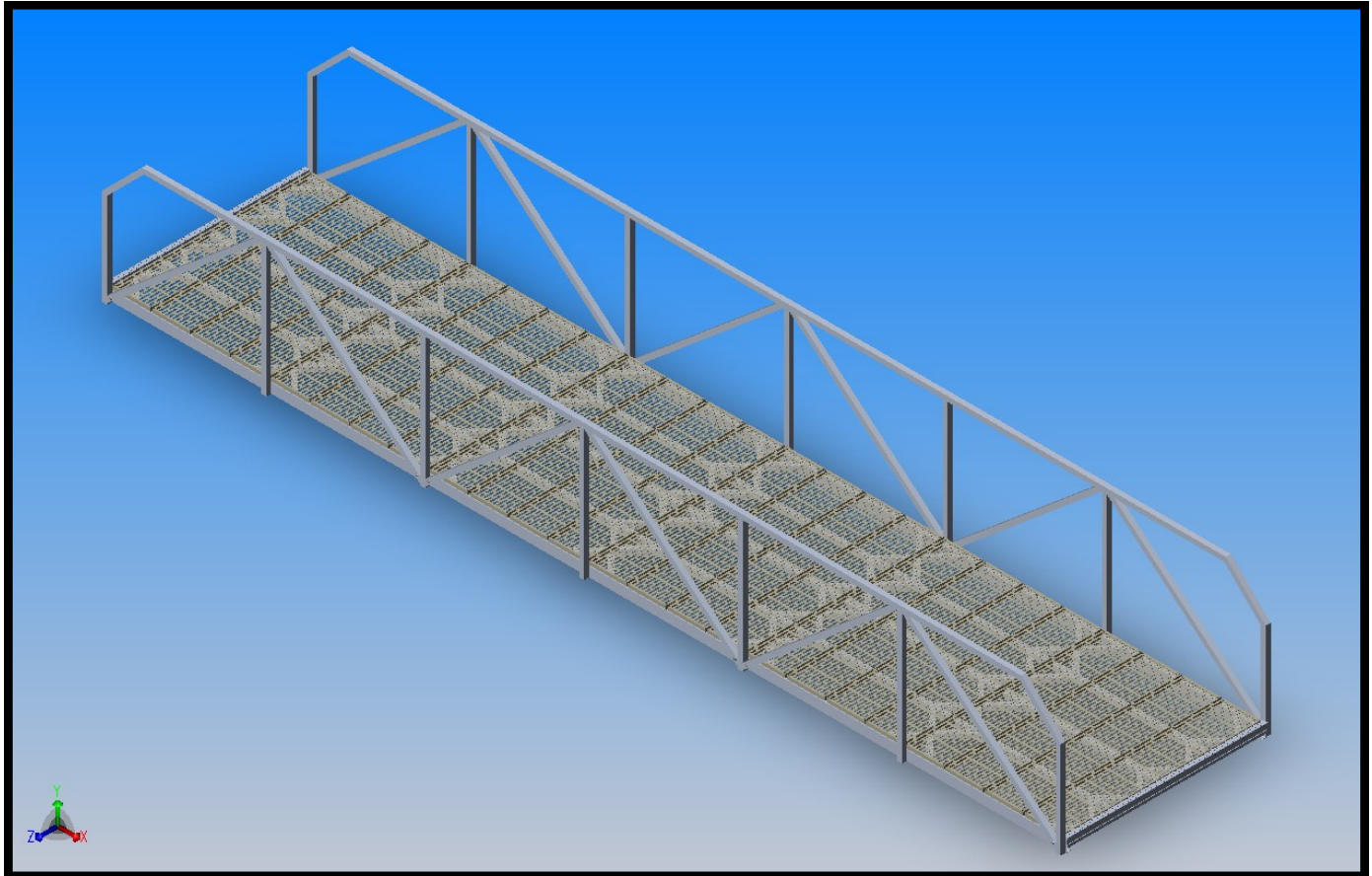


Product Announcement



G100524 5' W x 24' L Aluminum Gangway w/Decking

G101524 5' W x 24' L Aluminum Gangway w/o Decking



BOM for G100524 - 5' W x 24' L Aluminum Gangway Kit w/Decking

G40524	Gangway Frame w/ Rails Alum 5' x 24'	1	G100524 - 5'x24' Gangway w/Decking
80540SS	Bolt 5/16"-16 x 3-1/2" Carr HD 18-8SS	40	
117005	18-8 SS Washer	40	
110021	Nut 5/16"-18 Hex 18-8 SS	40	
H40551	Decking Panel 5' x 1' ThruFlow Beige	24	
H40015	Kit, Decking Screw SS	8	

BOM for G101524 - 5' W x 24' L Aluminum Gangway Kit w/o Decking

G40524	Gangway Frame w/ Rails Alum 5' x 24'	1	G101524 - 5'x24' Gangway w/o Decking
80540SS	Bolt 5/16"-16 x 3-1/2" Carr HD 18-8SS	40	
117005	18-8 SS Washer	40	
110021	Nut 5/16"-18 Hex 18-8 SS	40	

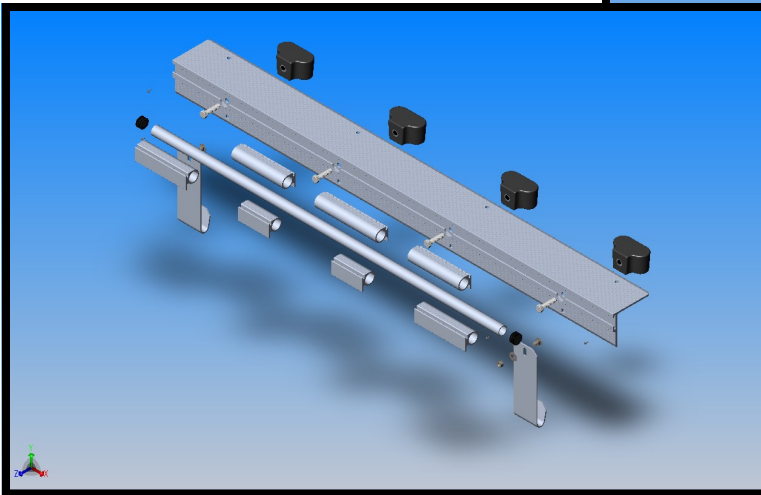
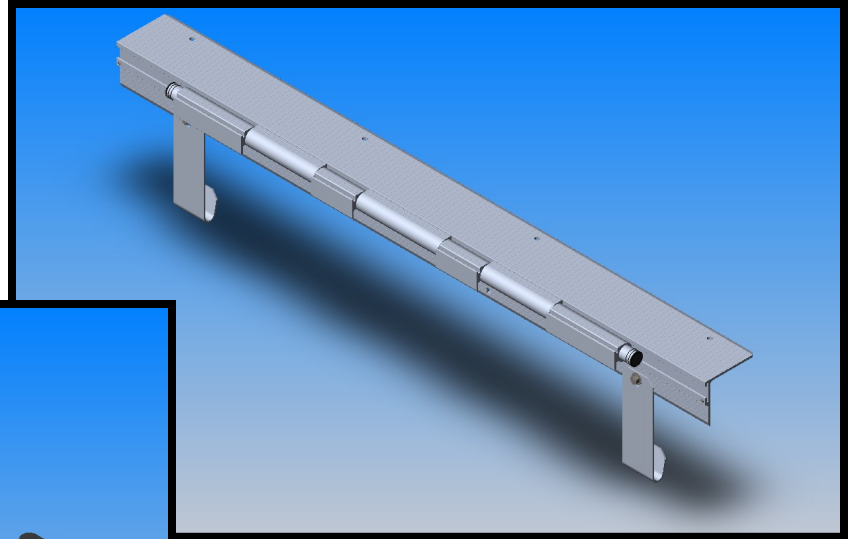
EZ Dock Inc. 878 Highway 60 • Monett, MO 65708 • 888-654-8168 • fax: 417-235-2232 • www.ez-dock.com



Product Announcement



G200560 Kit, Hinge-to-Float 80"



The EZ Dock 80" wide hinge-to-float kit is designed specifically to attach the new EZ Dock aluminum gangway to the EZ Dock product. This kit utilizes hardware connectors, "J-hooks", and three custom aluminum extrusions to provide a safe transition and hinge from dock to gangway. **This kit is used to attach a 3', 4', or 5' gangway on a four pocket connection (centered on one end of an 80" dock section).**

BOM for G200560 - Kit, Hinge-to-Float 80"

H40548	Abutment/Hinge Angle Extrusion	1
H40404	Hinge Slide 5-5/16" Extrusion	4
H40409	Hinge Slide 8-7/8" Extrusion	4
H40561	Hinge Pin 60-1/2" Al Tube 1.5"	1
S40014	Screw, #10 Self Tapping	6
S90000	Plug, Universal 1-1/2" Plug	2
H40449	Bracket, Hanger J-Hook AL	2
82001	Washer, 1-1/4 x 1/2" ID SS	2
110061	Nut, 1/2"-13 Hex 18-8 SS	2
80383	Bolt, Carriage 1/2"-13 x 1" 18-8 SS	2
201041SS	Connector, Hardware Female SS	4

G200560 - Kit, Hinge-to-Float 80"

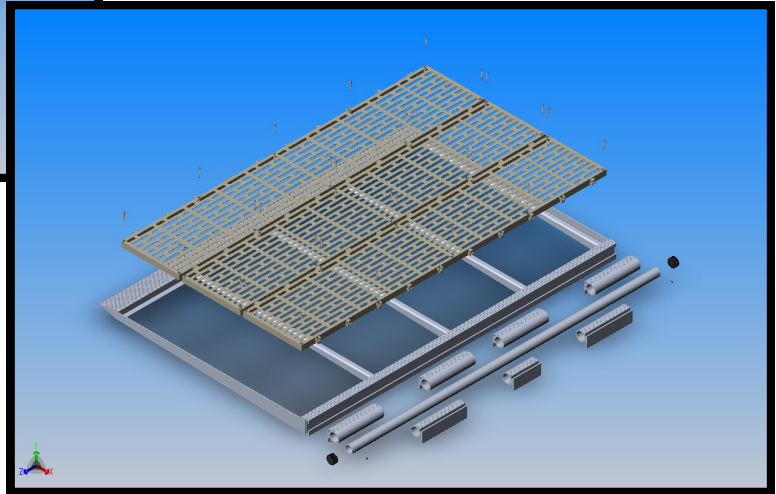
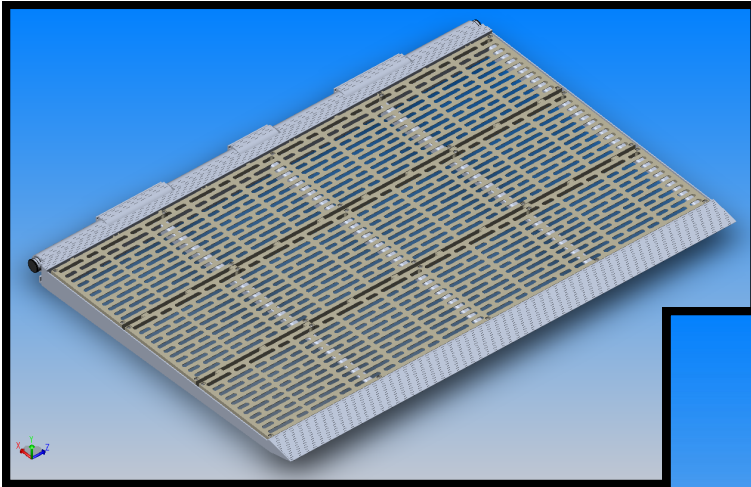
EZ Dock Inc. 878 Highway 60 • Monett, MO 65708 • 888-654-8168 • fax: 417-235-2232 • www.ez-dock.com



Product Announcement



G200550 Kit, Transition Kit for 5' Gangway w/Decking
G201550 Kit, Transition Kit for 5' Gangway w/o Decking



The 5' wide transition kit attaches directly to the end of the new EZ Dock aluminum gangways utilizing three custom aluminum extrusions. It is available along with or without ThruFlow™ decking panels. This kit offers ADA accessible transfer between the gangway and the shore grade or dock level thus allowing smooth movement to and from the dock. **This kit is used to with 5' wide gangway systems only.**

BOM for G200550 - Kit, Transition Kit for 5' Gangway w/Decking

H40552-0	Transition Plate Kit	1	G200550 - Kit, Transition Kit for 5' Gangway w/Decking
H40404	Hinge Slide 5-5/16" Extrusion	1	
H40409	Hinge Slide 8-7/8" Extrusion	6	
H40561	Hinge Pin 60-1/2" Al Tube 1.5"	1	
H40551	Decking Panel 5' x 1' ThruFlow™ Beige	3	
H40015	Kit, Decking Screw SS	1	
S40014	Screw, #10 Self Tapping	6	
S90000	Plug, Universal 1-1/2" Plug	2	

BOM for G201550 Kit, Transition Kit for 5' Gangway w/o Decking

H40452	Transition Plate Kit	1	G201550 - Kit, Transition Kit for 5' Gangway w/o Decking
H40404	Hinge Slide 5-5/16" Extrusion	1	
H40409	Hinge Slide 8-7/8" Extrusion	6	
H40561	Hinge Pin 60-1/2" Al Tube 1.5"	1	
S40014	Screw, #10 Self Tapping	6	
S90000	Plug, Universal 1-1/2" Plug	2	

EZ Dock Inc. 878 Highway 60 • Monett, MO 65708 • 888-654-8168 • fax: 417-235-2232 • www.ez-dock.com

